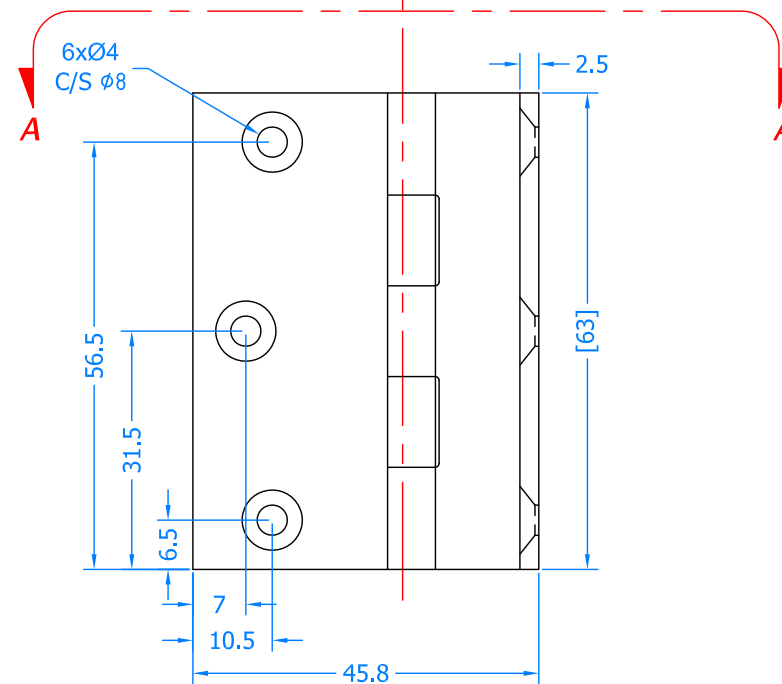
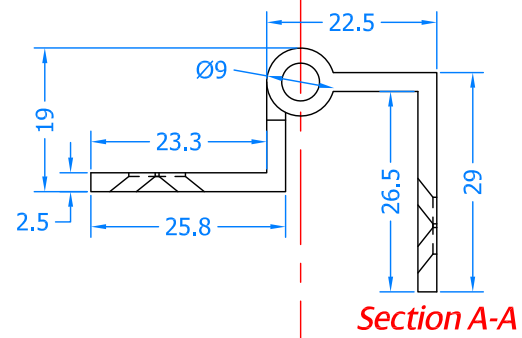
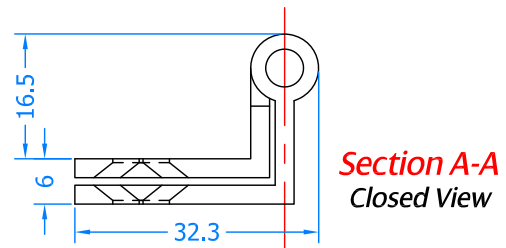


REVISION HISTORY

Revision	Description	Drawn	Date
A	Release	PW	21/03/17



**Innovating & Upgrading the Style,
Performance & Longevity of
External Doors & Windows Globally.**

Coastal Specialist Ironmongery Ltd.

Global House, Bojea Industrial Estate, Trethowel, St Austell, PL25 5RJ
t | 01726 871725 - f | 01726 871731 - e | sales@coastal-group.com
w | www.coastal-group.com

Drawing Title:
**HSP64
Standard Stormproof Butt Hinges**

Product Range:
Butt Hinges

Additional Info:

Date Drawn: 21/03/2017

Drawn By: Phil Walklett

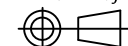
Part Number: HSP64

File Name: CG-HSP64.dwg

Revision: A

Drawing Scale: 1:1@A3

Sheet Number: 1 of 1

THIRD ANGLE PROJECTION  This drawing and specification are the property of Coastal, they are issued in strict confidence and shall not be reproduced, copied or used without written permission.