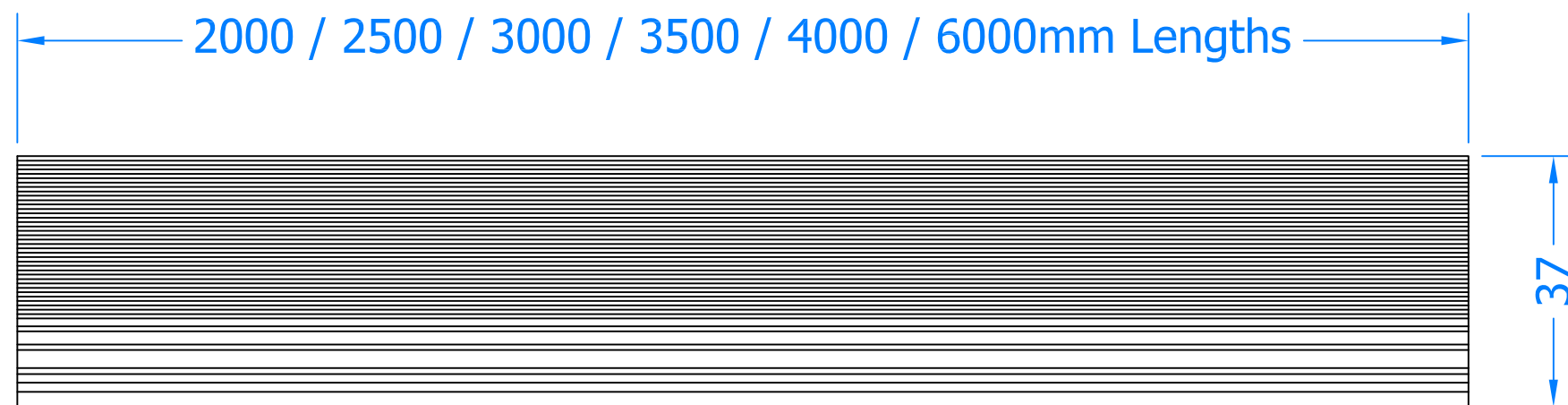
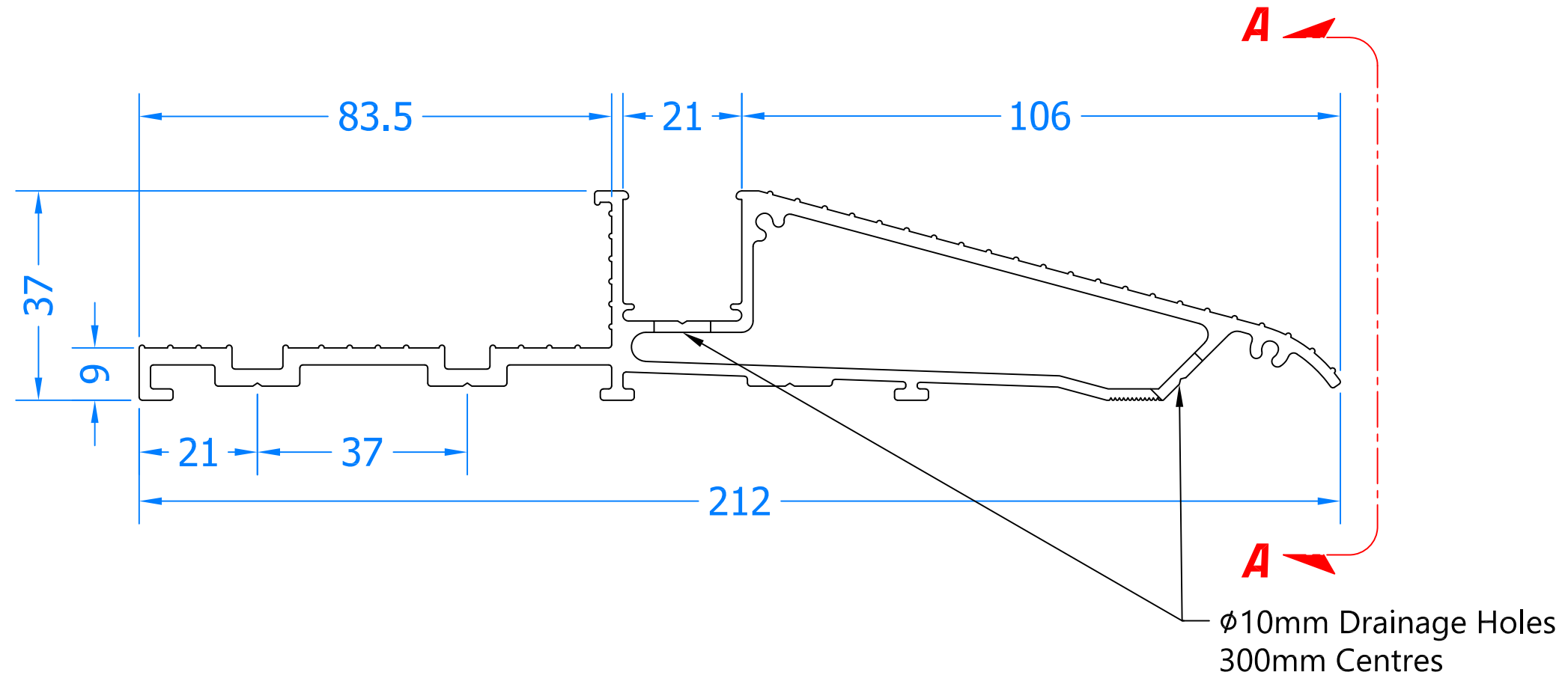


**REVISION HISTORY**

Revision	Description	Drawn	Date
A	Release	PW	30/10/18



**Section A-A**

**Innovating & Upgrading the Style, Performance & Longevity of External Doors & Windows Globally.**

**Coastal Specialist Ironmongery Ltd.**

Global House, Bojea Industrial Estate, Trethowel, St Austell, PL25 5RJ  
 t | 01726 871725 - f | 01726 871731 - e | sales@coastal-group.com  
 w | www.coastal-group.com

Drawing Title:  
**CF94T**  
**CoFold Outward Opening Threshold**

Product Range:  
**Bi-Folding Door Systems**

Additional Info: **Aluminium Threshold**

Date Drawn: 30/10/2018

Drawn By: Phil Walklett

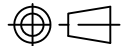
Part Number: CF94T

File Name: CG-CF94T.dwg

Revision: A

Drawing Scale: 1:1@A3

Sheet Number: 1 of 1

THIRD ANGLE PROJECTION  This drawing and specification are the property of Coastal, they are issued in strict confidence and shall not be reproduced, copied or used without written permission.