

BLU®

316 Stainless Steel Hardware Range

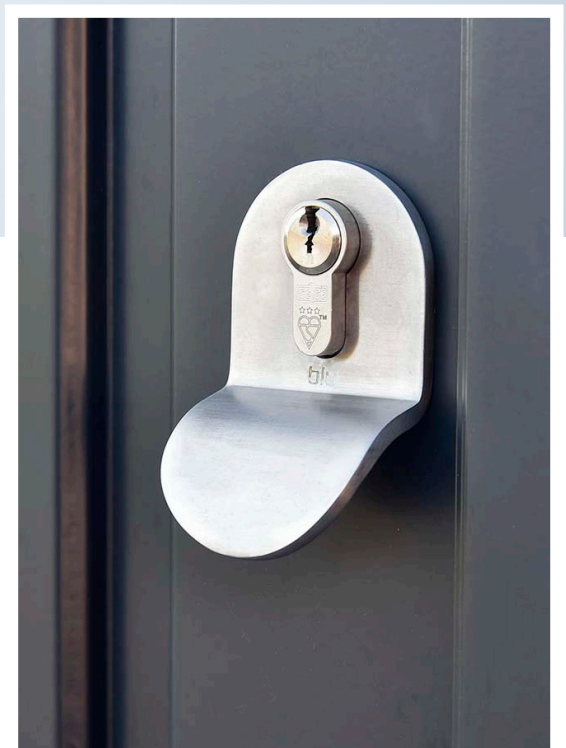


COASTAL

Shaping the future.



Contemporary Style Euro Cylinder Pull

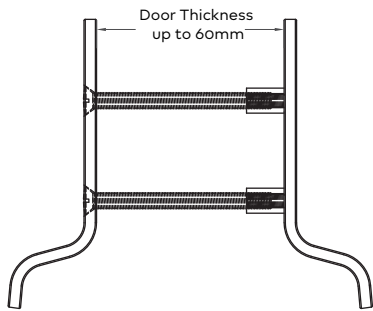


Range		BLU HARDWARE
Product Code		CP50
Material		316 STAINLESS STEEL

Contemporary Style

Euro Cylinder Pull

- High quality back-to-back euro cylinder pull set.
- Back-to-Back fixing method makes it difficult for the cylinder pull fitted on the exterior of the door to be removed.
- Manufactured from 316 Marine Grade Stainless Steel.
- Ideal for use where corrosion levels are high such as coastal environments and with acidic timber.
- Black finish has been successfully salt spray tested to 1000 hours, test: ASTM B117-2019
- Suit door thickness up to 60mm



Extension kit is available for thicker doors:
SE40-EXT-KIT - Bolt Connector Sleeve & M5 Grub Screw with Threadlock



Finishes Available



CP50-SSS
Satin Stainless Steel



CP50-PSS
Polished Stainless Steel



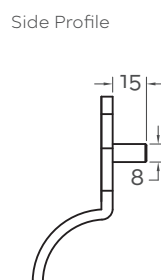
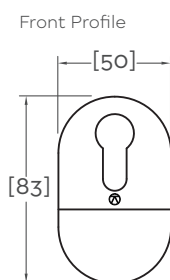
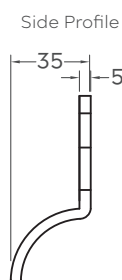
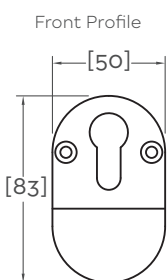
CP50-MBL
Matt Black Lacquer



Matt Black Lacquer Finish

The matt black lacquer finish features a dual coating paint system with an automotive lacquer, giving improved longevity. Unlike regular powder-coated finishes, this advanced coating prevents dulling over time.

- UV tested to BS EN ISO 4892-2 for superior weather resistance
- Scratch tested to ISO 1518-1 for a hard-wearing finish
- Corrosion tested to BS EN 60068-2-11 to withstand harsh environments



Internal Cylinder Pull

External Cylinder Pull