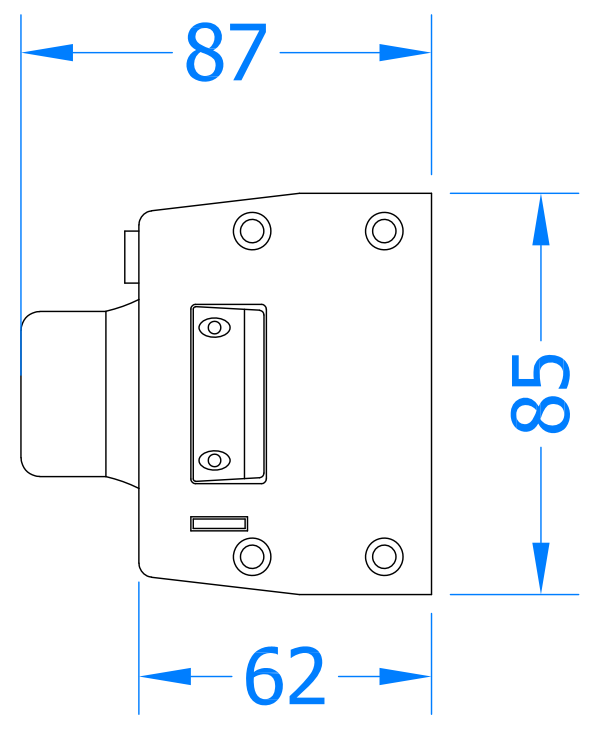
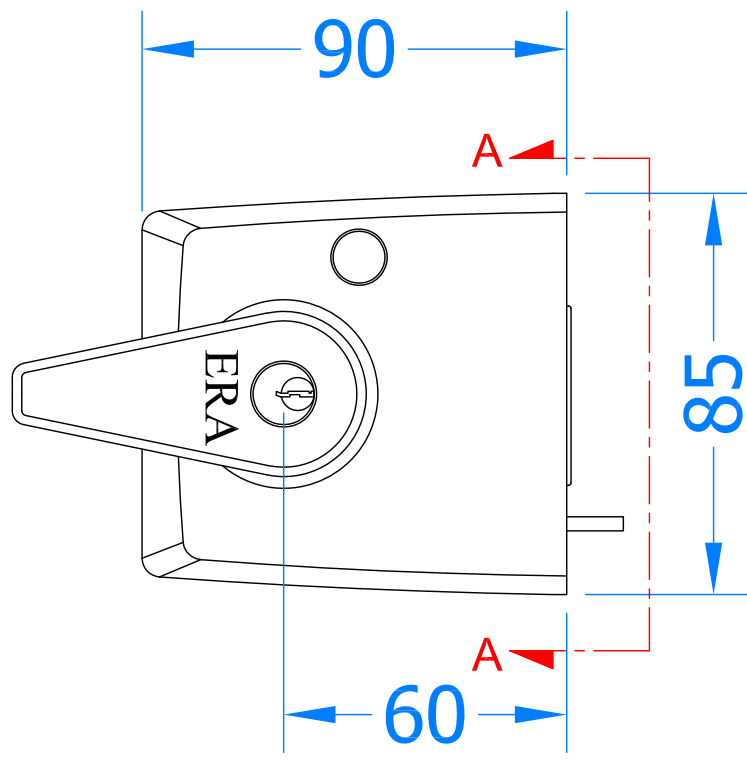
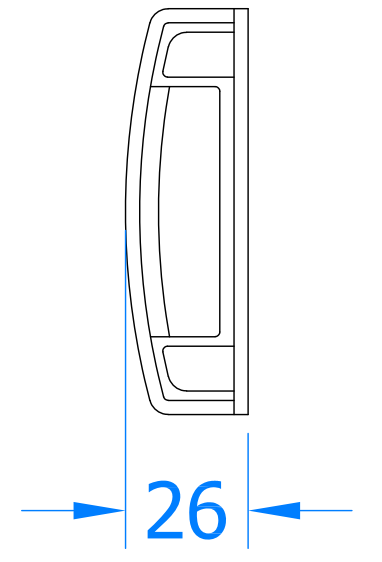
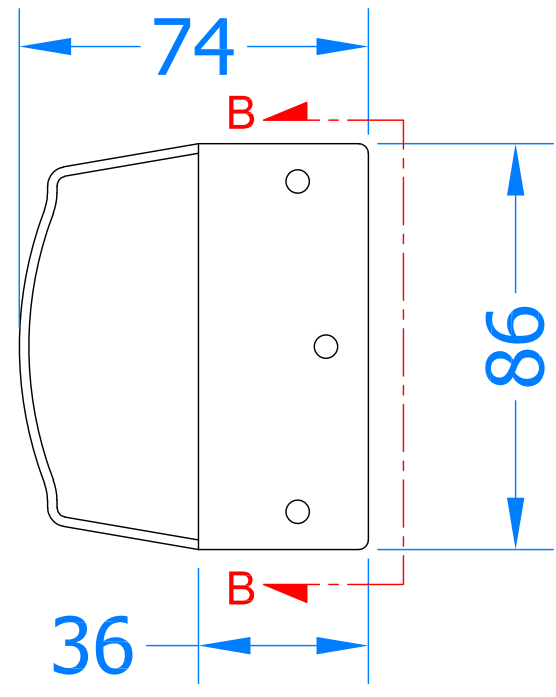


This drawing and specification are the property of the Coastal Group. They are issued in strict confidence and shall not be reproduced, copied or used without written permission.

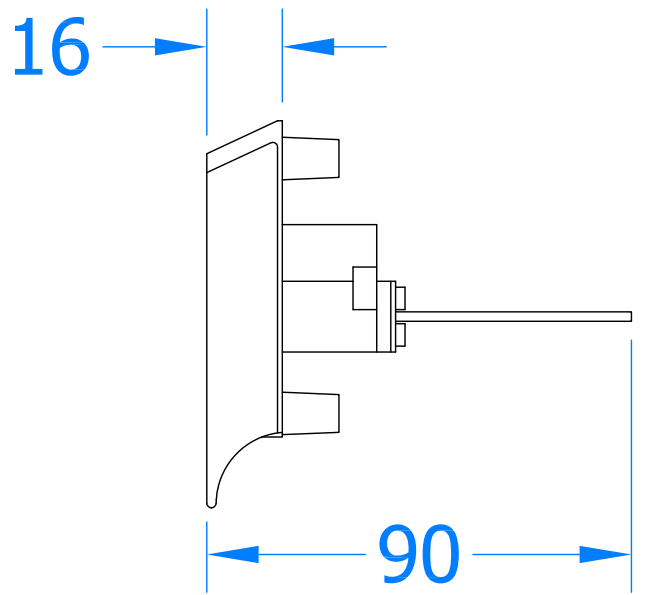
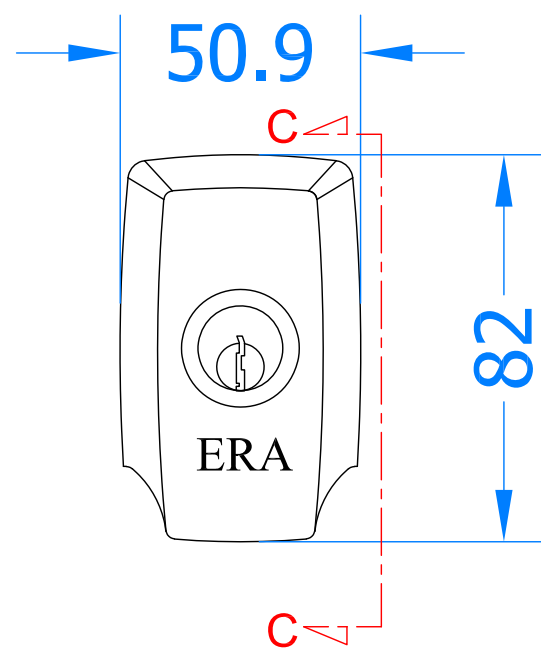
REVISIONS			
Revision	Description	Drawn By	Date
A	Release.	PW	23/10/17



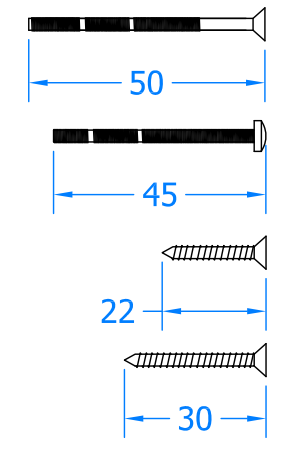
Section A-A



Section B-B



Section C-C



Fixings

COASTAL GROUP
the style performance & integrity of external doors & windows globally

Global House, Bojea Industrial Estate, Trethowel, St Austle, PL25 5RJ
 Telephone | 01726 871725 - Fax | 01726 871731
 Email | sales@coastal-group.com - Web | www.coastal-group.com

Drawing Reference:
Coastal Group

Drawing Title:
DLN60 - Era High Security Locking Night Latch

Product Range:
Door Locks

Additional Info:

Date Drawn: 23/10/2017
 Drawn By: Phil Walklett
 Part Number: DLN60
 File Name: CG-DLN60.dwg
 Revision: A
 Drawing Scale: NONE
 Sheet Number: 1 of 1

THIRD ANGLE PROJECTION

This drawing and specification are the property of Coastal Group, they are issued in strict confidence and shall not be reproduced, copied or used without written permission.