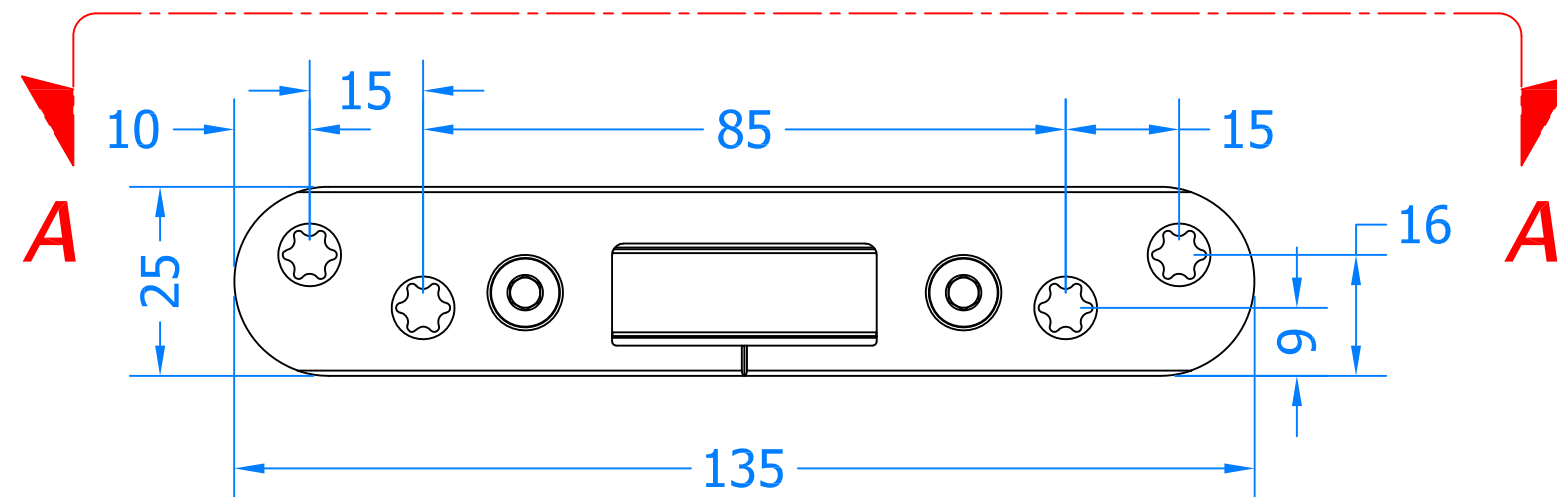
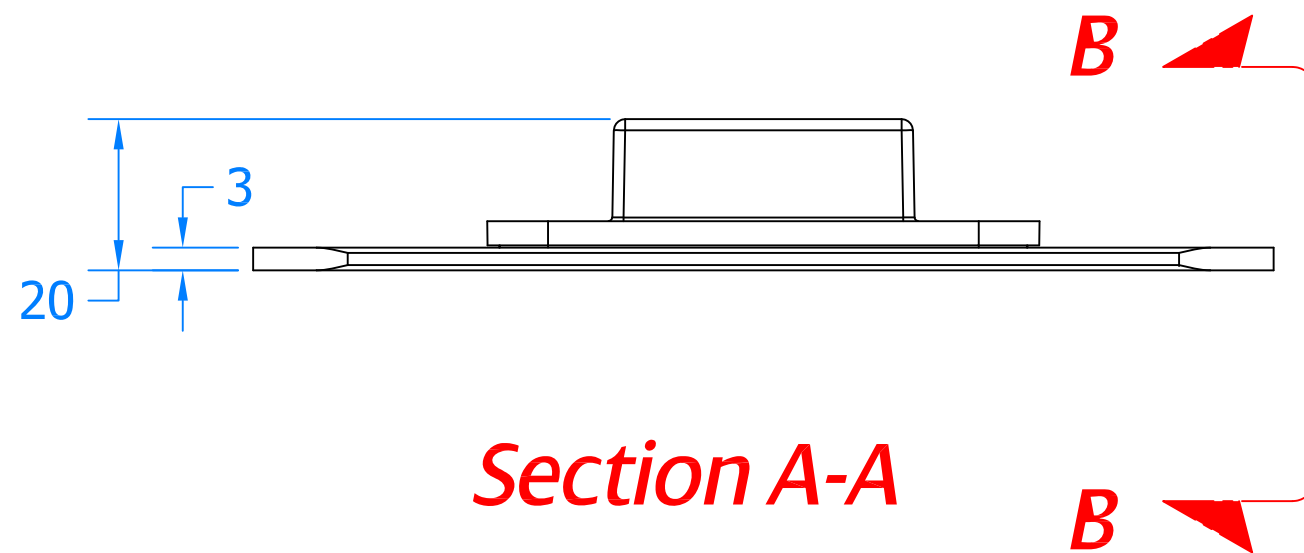


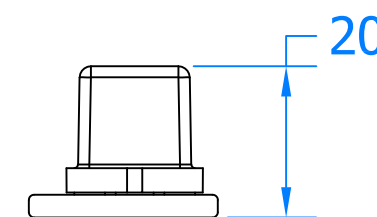
REVISIONS			
Revision	Description	Drawn	Date
A	Release	PW	10/12/18





Universal Handing.



Section A-A



Section B-B

	
Global House, Bojea Industrial Estate, Trethowel, St Austell, PL25 5RJ Telephone 01726 871725 - Fax 01726 871731 Email sales@coastal-group.com - Web www.coastal-group.com	
Drawing Reference:	
Coastal Group	
Drawing Title:	
Maco Klone Shootbolt Keep MACO Tricoat	
Product Range:	
Tricoat Klone Shootbolt Keep	
Additional Info:	
For Master & Slave Doors	
Date Drawn: 10/12/2018	
Drawn By: Phil Walklett	
Part Number: MK44-TR	
File Name: CG-MK44-TR.dwg	
Revision: A	
Drawing Scale: Not to Scale	
Sheet Number: 1 of 1	
THIRD ANGLE PROJECTION 	This drawing and specification are the property of Coastal Group, they are issued in strict confidence and shall not be reproduced, copied or used without written permission.