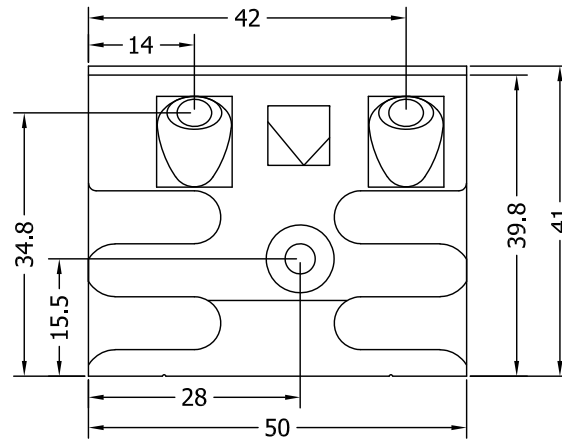
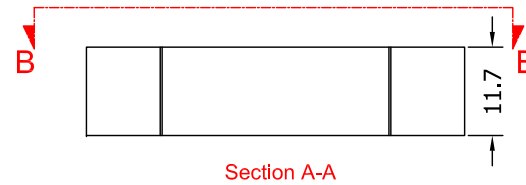
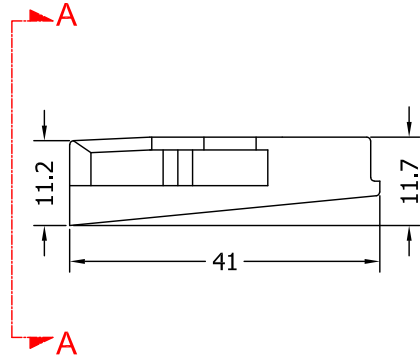



## REVISIONS

Revision	Description	Drawn By	Date
A	Released	PW	23/1/19





Global House, Bojea Industrial Estate, Trethowel, St Austell, PL25 5RJ  
 telephone | 01726 871724 - fax | 01726 871731  
 email | sales@coastal-group.com - web | www.coastal-group.com

Innovating & upgrading the style, performance & longevity of external doors & windows globally

**Drawing Reference:**

**Coastal Group**

**Drawing Title:**  
**EBSK-10 Keep**  
**7mm Stack & 3 Screw Holes - Everest**

**Product Range:**  
**Espagnolette Bolt Keeps**

**Additional Info:** For Mushroom Type Bolts

**Date Drawn:** 23/01/2019

**Drawn By:** Phil Walklett

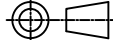
**Part Number:** EBSK-10

**File Name:** CG-EBSK-10.dwg

**Revision:** A

**Drawing Scale:** 1:1 @ A4

**Sheet Number:** 1 of 1

**THIRD ANGLE PROJECTION**  

 This drawing and specification are the property of Coastal Group, they are issued in strict confidence and shall not be reproduced, copied or used without written permission.