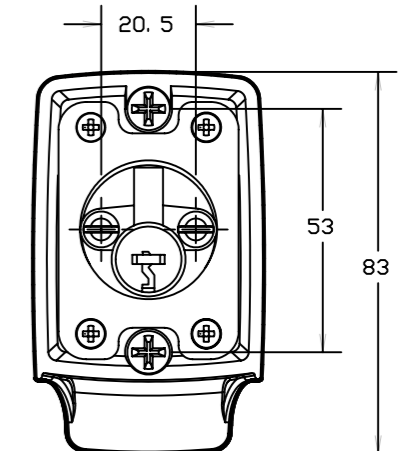
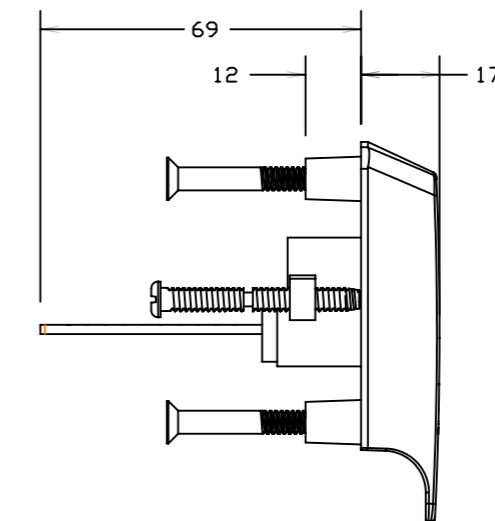
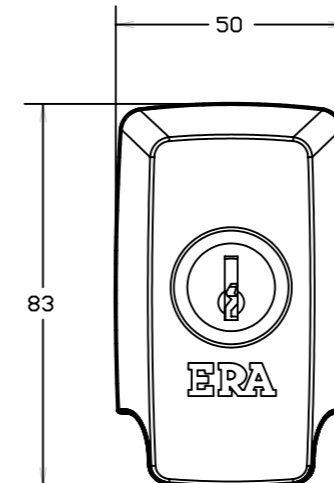
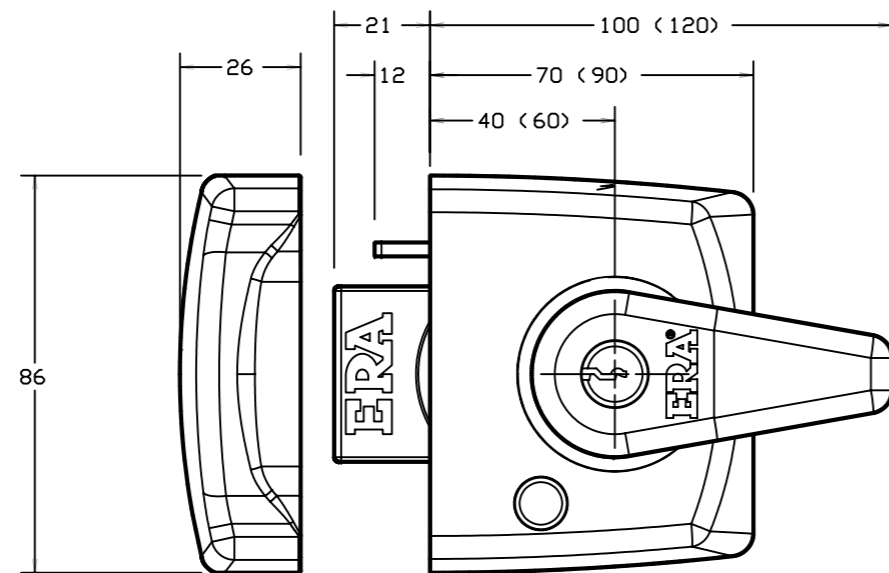


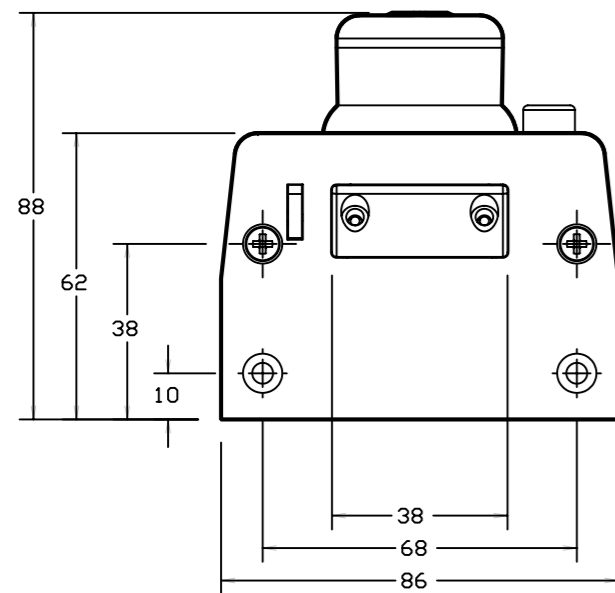
PART NO.
2183/2193

UNLESS SPECIFIED OTHERWISE TOLERANCE TO BE $\pm 0.1\text{mm}$ IF IN DOUBT ASK

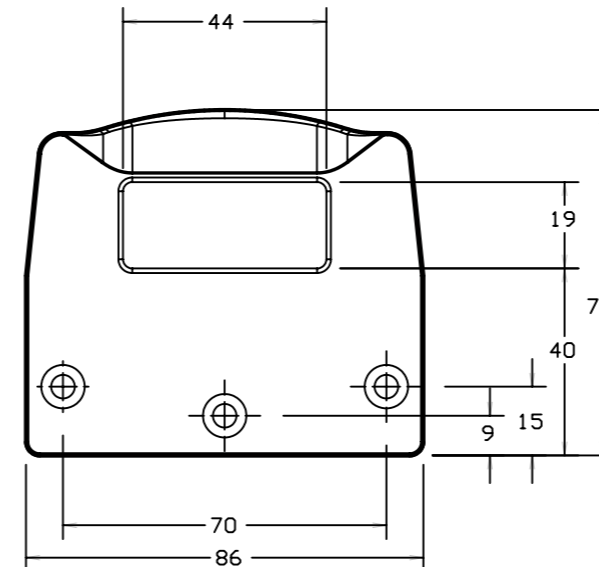
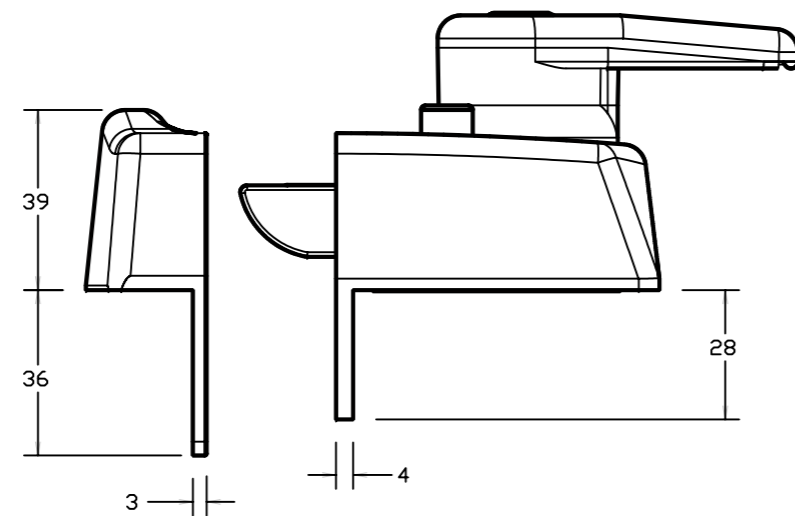
MODIFICATIONS		
MOD NO.	ISSUE NO.	DETAILS OF CHANGE



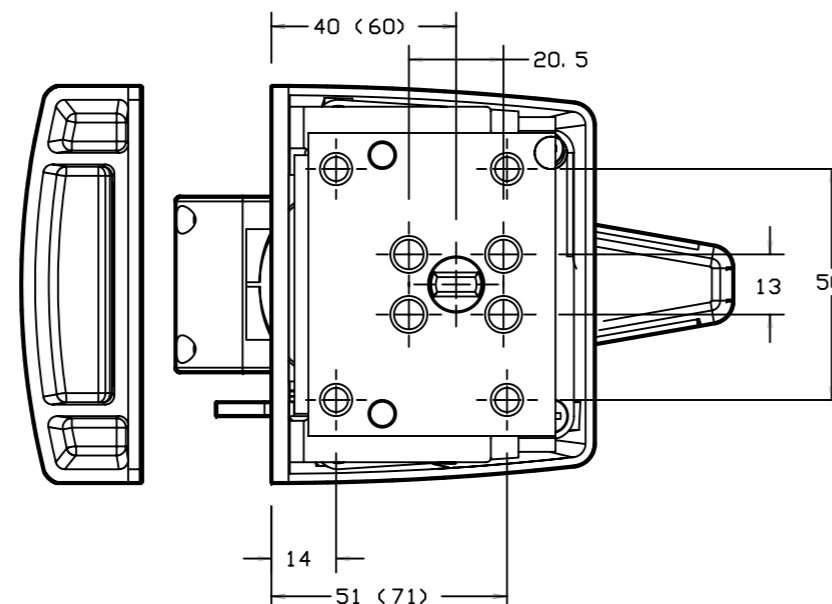
CYLINDER PULL ASSEMBLY



LOCK SIDE VIEW

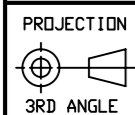


STAPLE SIDE VIEW



LOCK ASSEMBLY

NOTES:
40mm NIGHTLATCH SHOWN.
DIMENSIONS IN BRACKETS SHOW
DIMENSIONS FOR 60mm BACKSET.



THE COPYRIGHT IN THIS DRAWING AND ANY INFORMATION OR DESCRIPTIVE MATTER SET OUT HERE ON ARE THE PROPERTY OF ERA PRODUCTS LTD. AND ARE CONFIDENTIAL TO ERA PRODUCTS LTD. AND MUST NOT BE DISCLOSED, LOANED, PUBLISHED, COPIED OR REPRODUCED IN ANY FORM OR USED FOR MANUFACTURE, TENDERING OR ANY OTHER PURPOSE WITHOUT THE WRITTEN PERMISSION OF ERA PRODUCTS LTD. ©		TITLE BS3621 NIGHTLATCH EXTERNAL GA		MATERIAL		FINISH	
ERA PRODUCTS LTD STRAIGHT RD, SHORT HEATH, VILLENHALL, WEST MIDLANDS W12 5RA, ENGLAND TEL: (01922) 490049 FAX: (01922) 494420		SCALE 1: 1		DRAWN MLC	CHECKED RWV	DATE 25/01/05	PART NO. 2183/2193