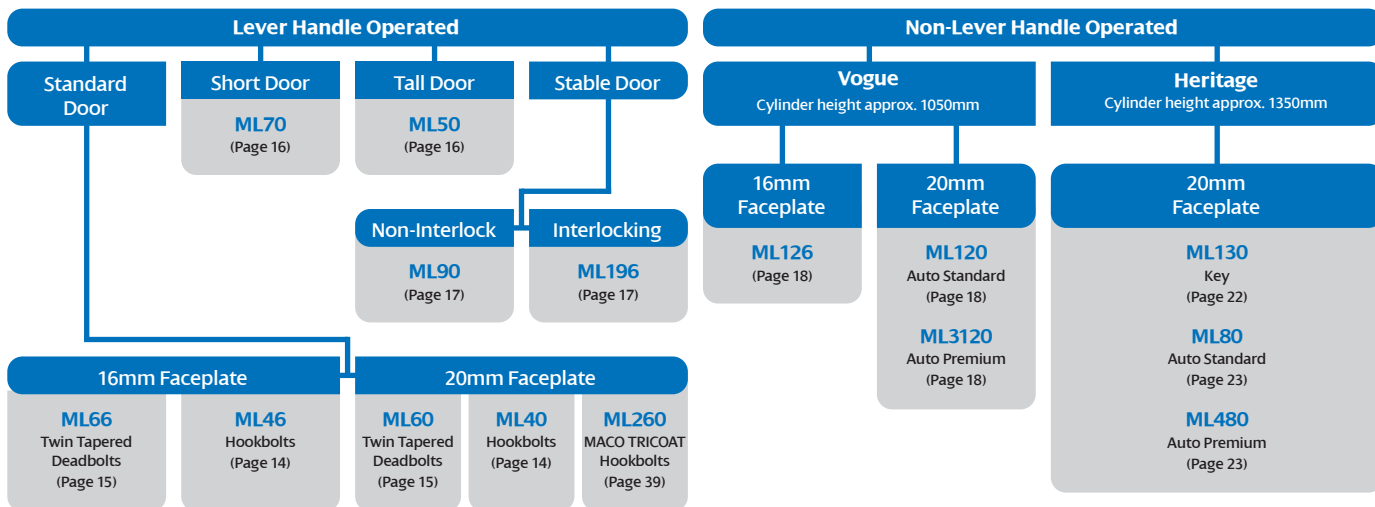
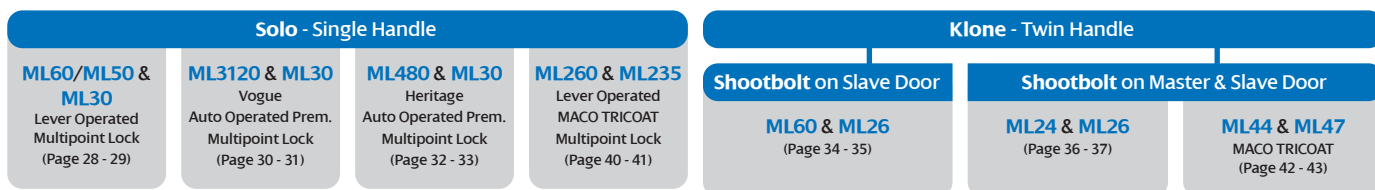


Helping you select the correct multipoint lock you need for your **single and double doors**

Single Door



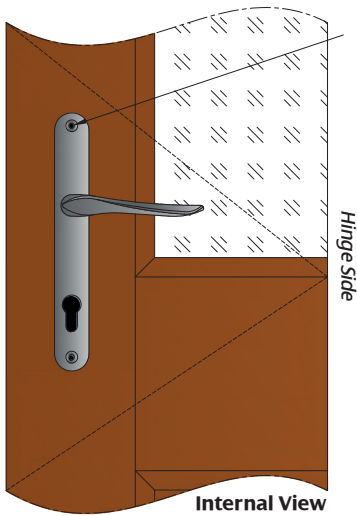
Double Door



Handing Information for Door Locks, Keeps & Door Handles - Helping you determine whether you need left or right hand products for your project

Door Handle Handing (viewed from inside)

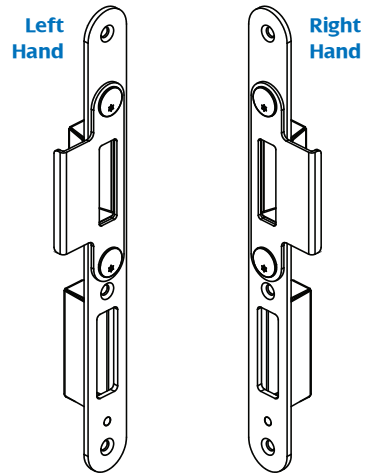
Right-Hand Handle shown (As viewed from inside the property)



Door Handles are handed as viewed from the inside, which hand you would typically use to open the door.

Handles are fixed from the inside - holes are on the internal handle and bolt through to the external handle.

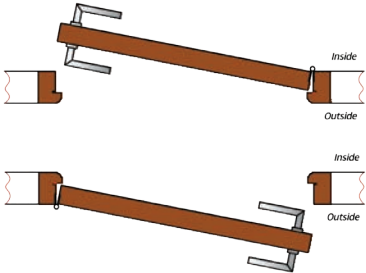
Keep Handing



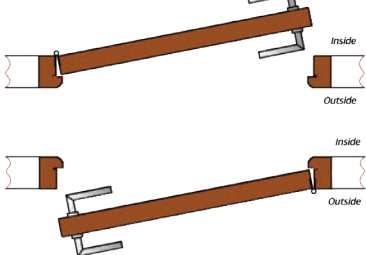
Door Lock Handing (as viewed from outside)

Single Doors

Right-hand lock

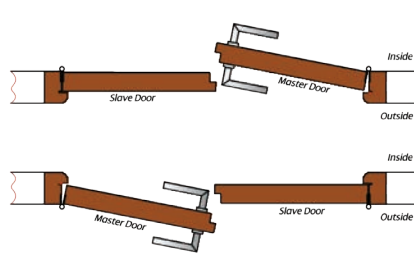


Left-hand lock

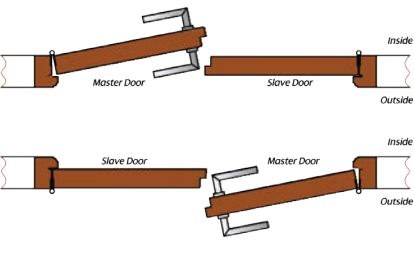


Double Doors

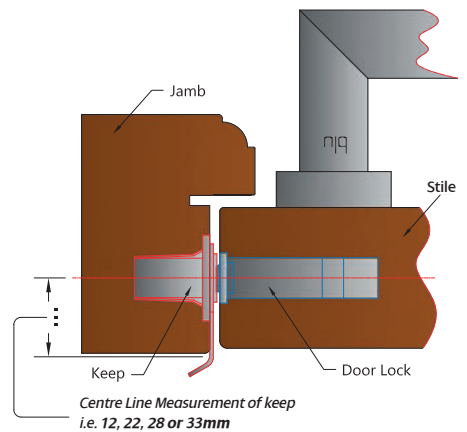
Right-hand lock



Left-hand lock



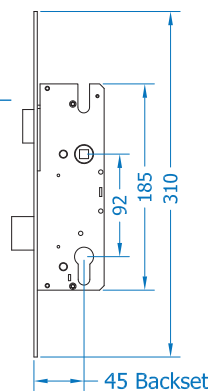
Keep Centre Line Diagram



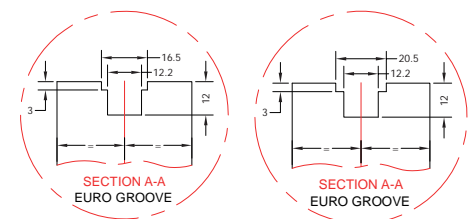
What is the backset on the lock?

Backsets on multipoint door locks are determined by the distance from the faceplate to the centre line of the spindle or Euro cylinder, then plus 18mm for the overall depth of the lock case. This is shown on the drawing on the right - 45mm being the backset.

Backsets on door locks are typically available in 35mm, 45mm, 55mm dependant on type of lock being used. Not all multipoint door locks are available with the variations of backsets.



What are faceplate widths?



Typical faceplate widths are 16mm or 20mm, this is measured across the face of the lock.

The diagrams above show typical routing detail to suit either the 16mm or 20mm.

For detailed product drawings and routing preparation visit our website www.coastal-group.com

The PartQ Compliance System from Coastal – a commitment to customer support

01726 871 025 | sales@coastal-group.com | www.coastal-group.com



Door Lock Sizing Chart - Size 1, Size 2 & Size 3

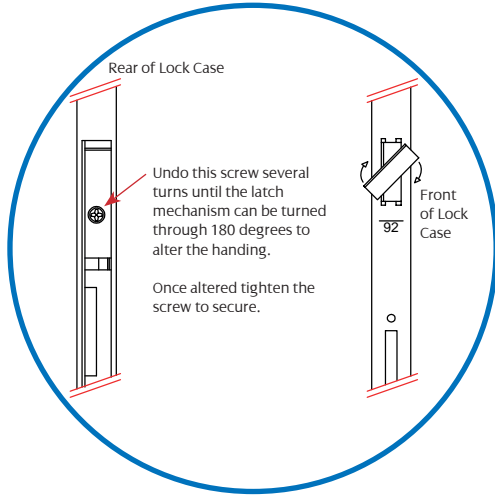
(Only applies to Winkhaus Locks)

Size 3

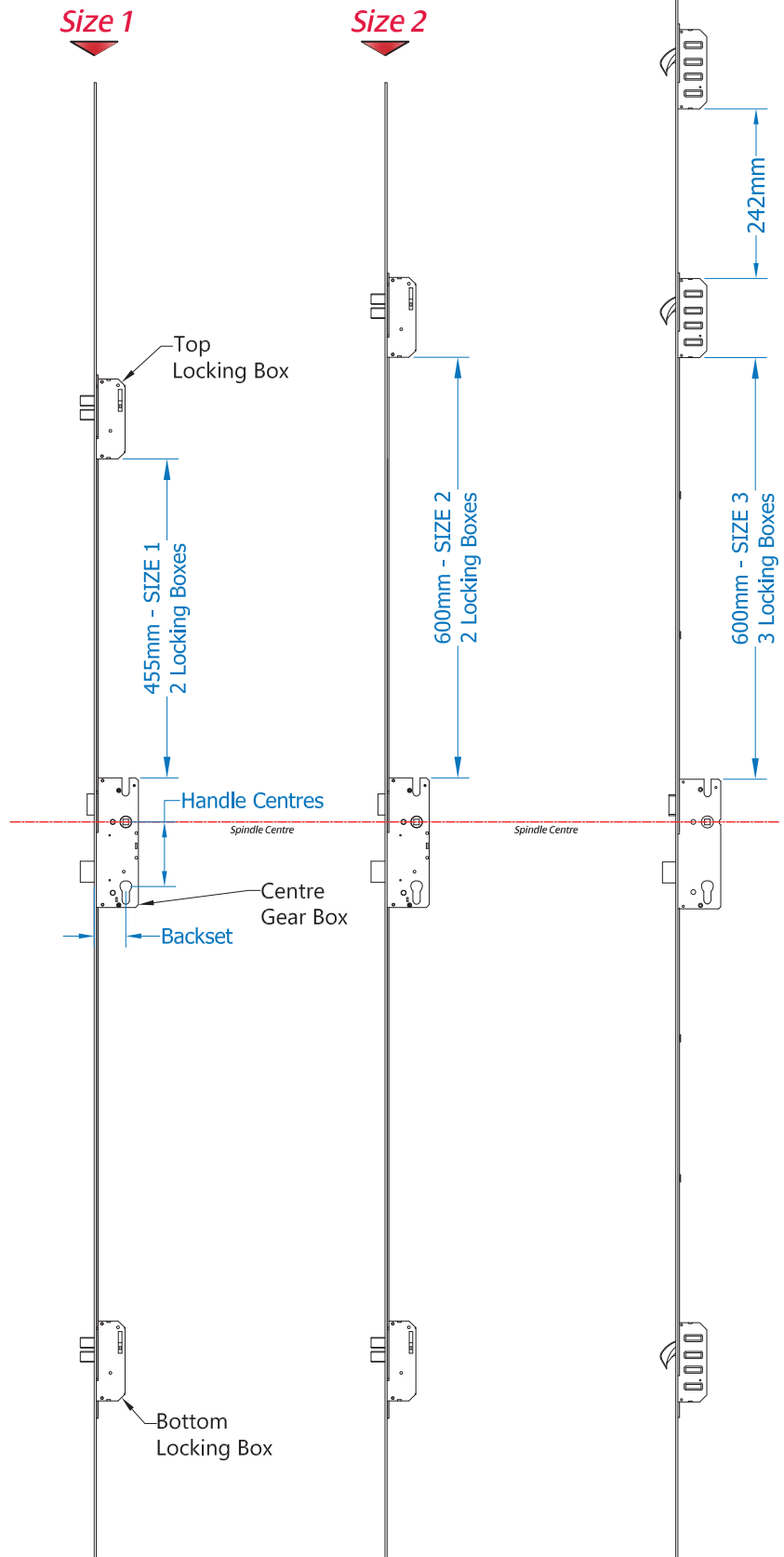
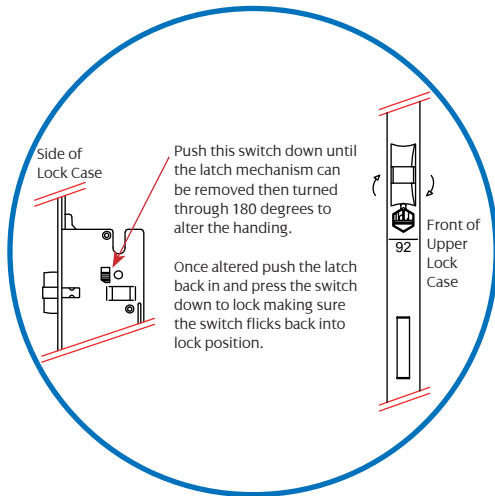
How to release the latch on a non-handed (universal) multipoint lock

The drawings below demonstrate how to change the latch on a non-handed (universal) lock from a left hand to a right hand

Winkhaus Multipoint Locks



MACO TRICOAT Multipoint Locks



MULTIPOINT DOOR LOCKING SYSTEMS

How secure is your door?

Bringing you the best range of multipoint door lock systems on the market today.

As the originators of the 'Family of Locks' concept – you benefit from one routing/mortice preparation detail used across multiple locking types including standard lever locks, slam-shut/auto door locks and French/double doors.

The result means its quicker and easier for you to set-up and install your door locking system than ever before.

Our Multipoint Door Lock Range offers:

- Superior security - tested to PAS24 and 'Secured by Design' Approved
- Long term reliability - 10 year mechanical guarantee
- Consistent compression for improved weathersealing and draughtproofing

Give your customer peace of mind with our door lock systems and take advantage of our large stockholding across the range to provide you with quick delivery of your requirements.



See page 224 for Red Horse screws - the recommended fixings for your locks & keeps - Part Number: FX-RHF440



We don't just supply products
– we build valuable relationships with our customers

01726 871 025 | sales@coastal-group.com | www.coastal-group.com

