

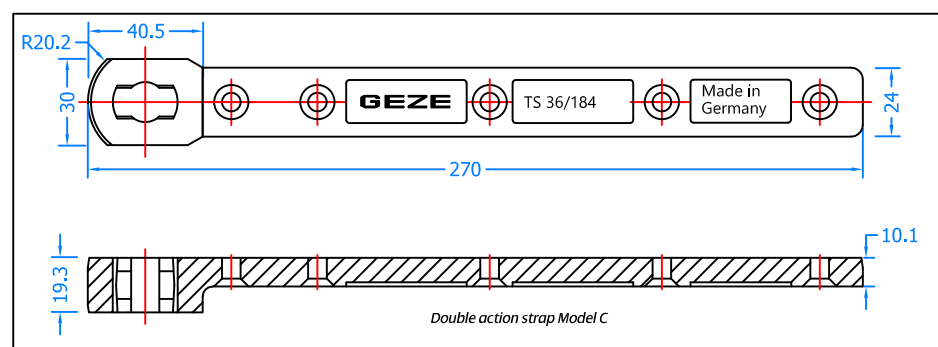
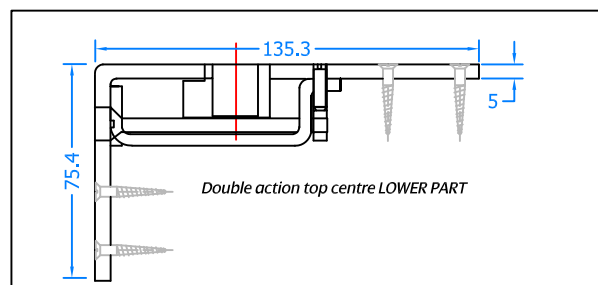
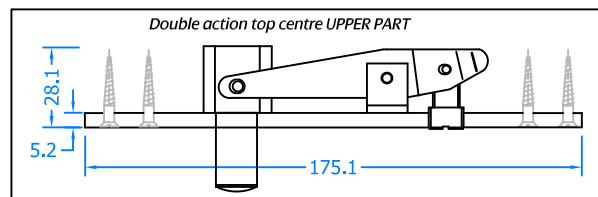
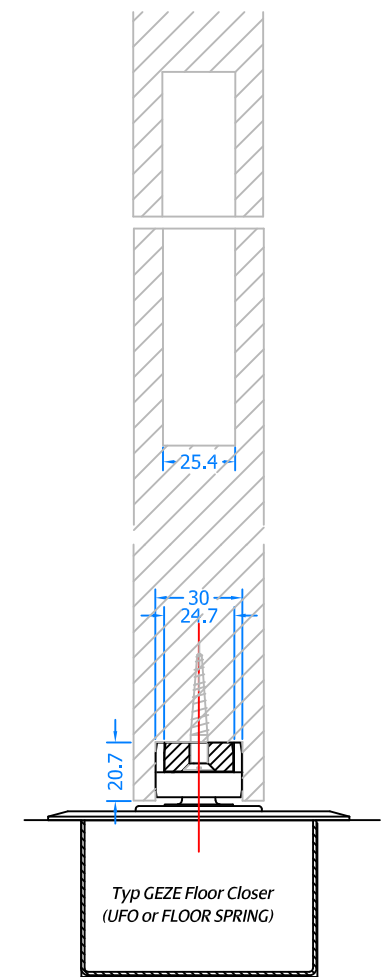
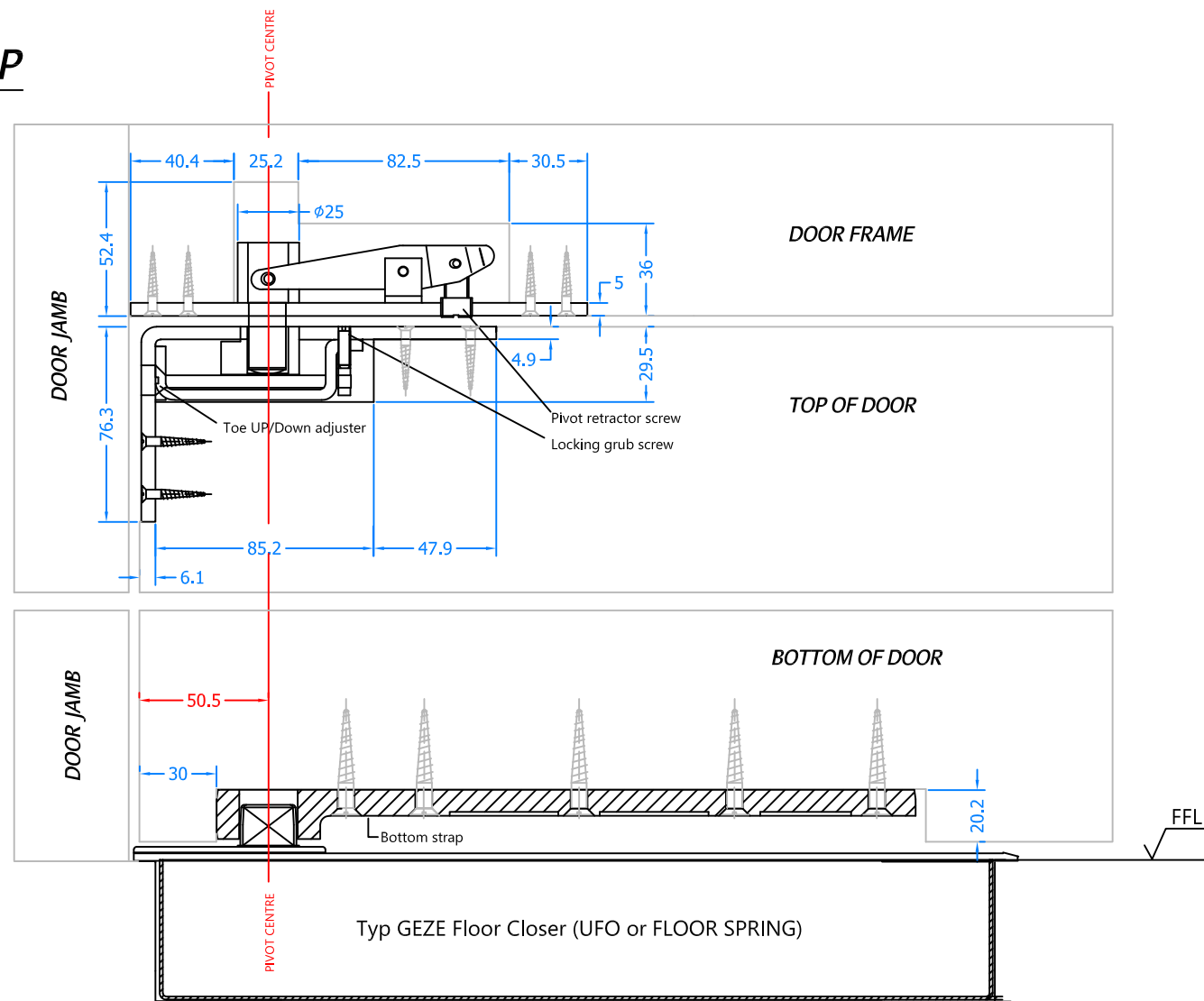
REVISION HISTORY

Revision	Description	Drawn	Date
A	Release	PW	21/03/17

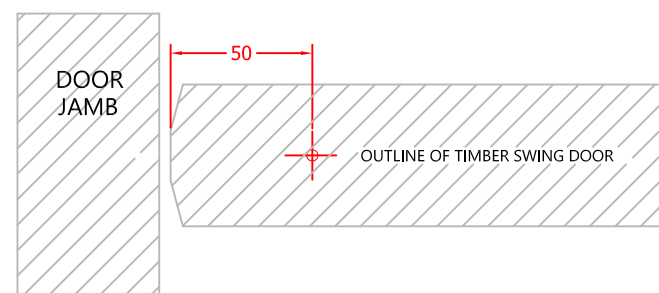
GEZE 6371 TOP CENTRE & 7432 BOTTOM STRAP FIXING FOR TIMBER DOOR & FRAME

FITTING INSTRUCTIONS

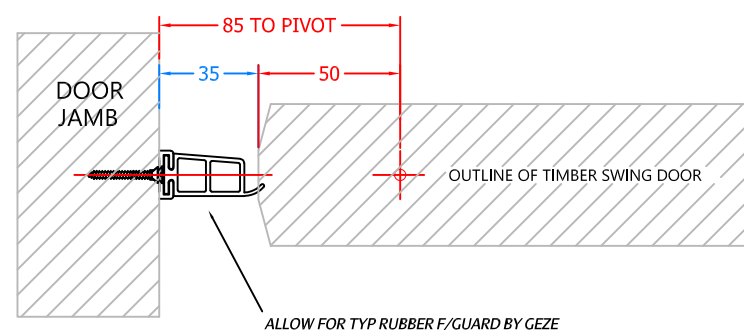
1. Cut out frame, door top rail and door bottom rail as per diagram
2. Screw all parts into position with screws provided and retract top pivot
3. Load door onto floor closer spindle and position under top pivot
4. Lower top pivot into receiving hole
5. Check position of door in relation to frame and adjust accordingly
6. Tighten all clamping screws and top centre grub screw.
7. Open door to full extent and adjust closing speed and supplementary valves
8. Fit cover plate to floor spring
9. See adjusting instructions relating to each type of floor closer.



FOR MANUAL DOORS (eg. TS500, TS550)



FOR AUTOMATIC DOORS (eg. UFO)



Innovating & Upgrading the Style, Performance & Longevity of External Doors & Windows Globally.

Coastal Specialist Ironmongery Ltd.

Global House, Bojea Industrial Estate, Trethowel, St Austell, PL25 5RJ
 t | 01726 871725 - f | 01726 871731 - e | sales@coastal-group.com
 w | www.coastal-group.com

Drawing Title:

PV250
250kg Double Action Pivot Set

Product Range:

Pivot Hinges

Additional Info: 304 Stainless Steel Cover Plate

Date Drawn: 21/03/2017

Drawn By: Phil Walklett

Part Number: PV250

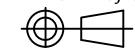
File Name: CG-PV250.dwg

Revision: A

Drawing Scale: Not to Scale

Sheet Number: 1 of 1

THIRD ANGLE PROJECTION



This drawing and specification are the property of Coastal, they are issued in strict confidence and shall not be reproduced, copied or used without written permission.