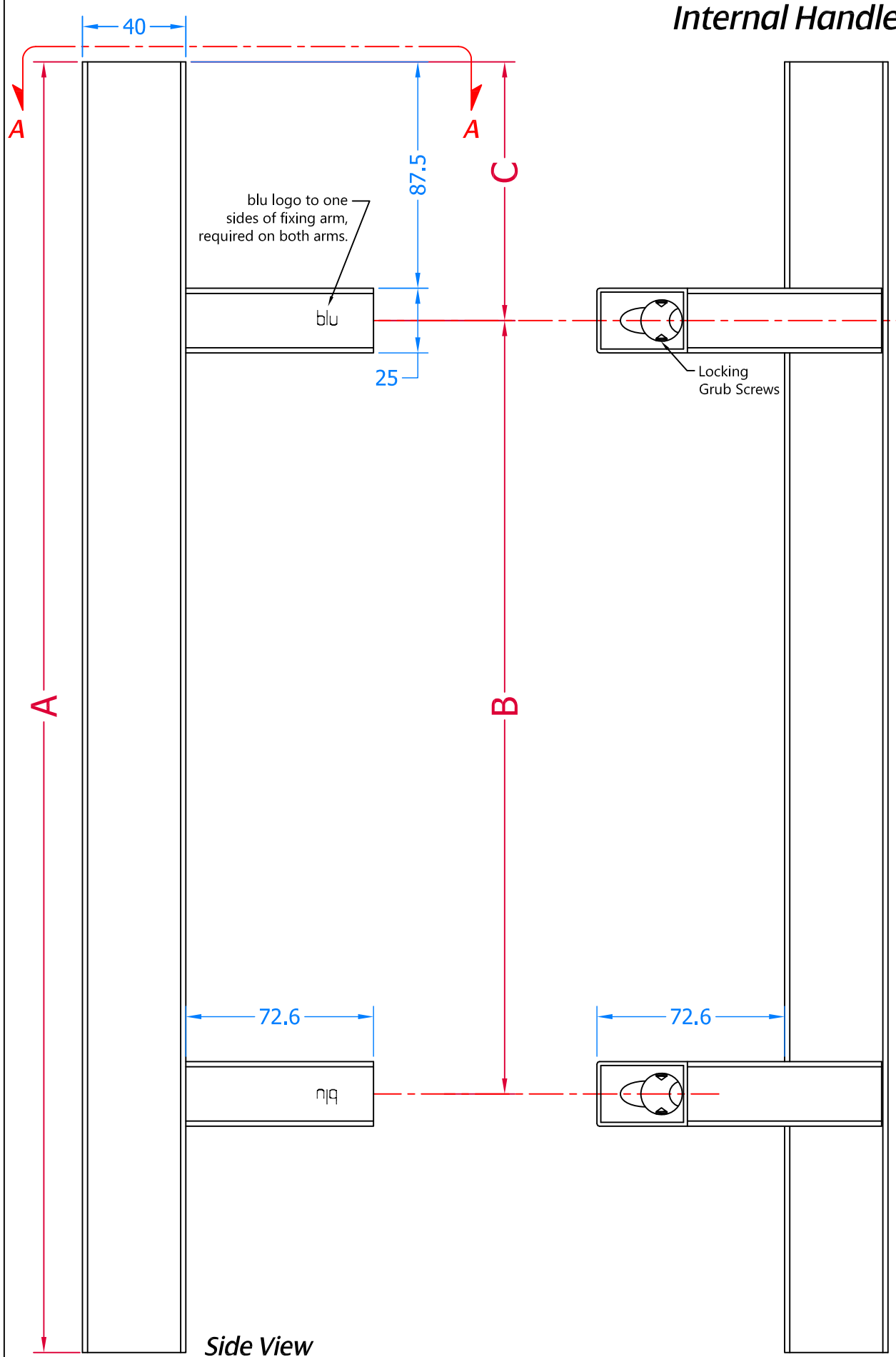


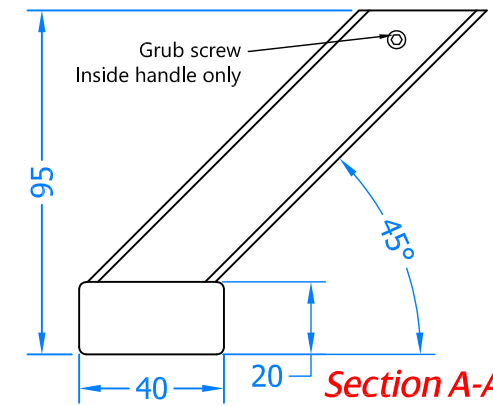
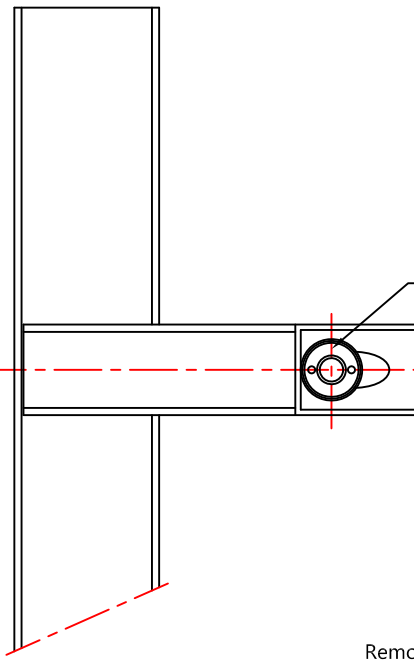
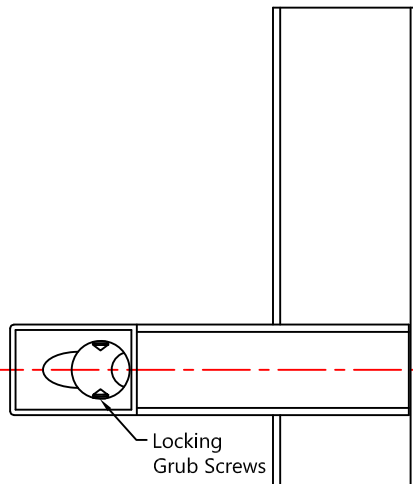
REVISION HISTORY				
Revision	Description	DRFT	CHK	Date
A	Release	PW	BD	22/05/19



Side View

Internal Handle

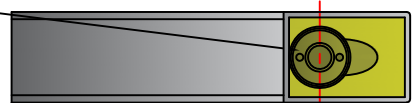
External Handle



Internal Handle Arm

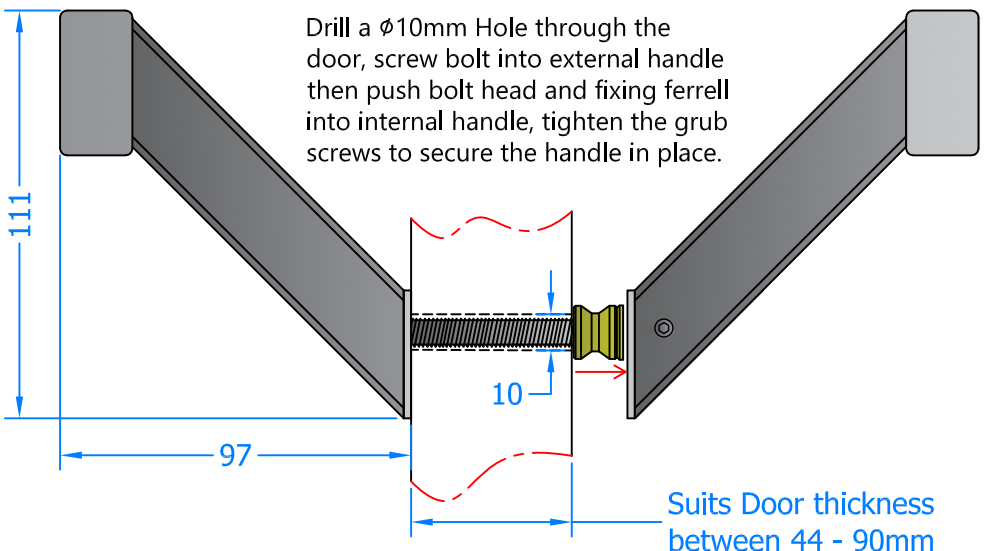


External Handle Arm

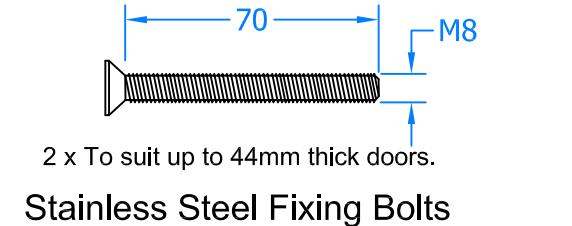
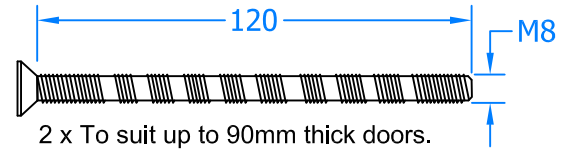


External Handle

Internal Handle



- 4 x Plastic Protector Pads
- 2 x Brass Ferrels
- 1 x 3mm Allen Key



Part Number	Length (A)	Centre (B)	Distance (C)
HAB7-600-BB	600mm	400mm	100mm
HAB7-1200-BB	1200mm	1000mm	100mm

blu Performance in Motion

Global House
Bojea Industrial Estate
Trehowel, St Austell
Cornwall, PL25 5RJ

t | 01726 871724
f | 01726 871731
sales@blu-performance.com
www.blu-performance.com

blu™ Performance

Drawing Title:
HAB7 - Offset Rectangular 'T' Bar Pull Handle - Back to Back Fixing Method

Product Range:
Stainless Steel Pull Handles

Additional Info:

Date Drawn: 22/05/2019
Drawn By: Phil Walklett
Part Number: HAB7-(SIZE)-BB-SSS
File Name: BP-HAB7-BB-SSS.dwg
Revision: A
Drawing Scale: Not to Scale
Sheet Number: 1 of 1

THIRD ANGLE PROJECTION

This drawing and specification are the property of blu Performance, they are issued in strict confidence and shall not be reproduced, copied or used without written permission.