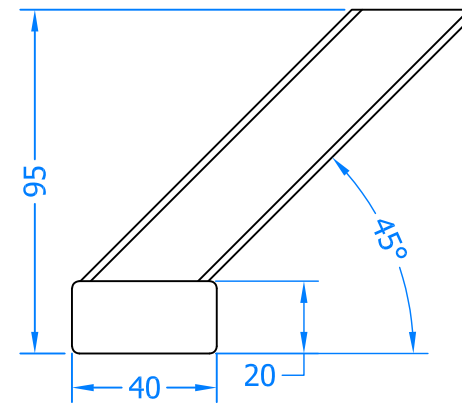
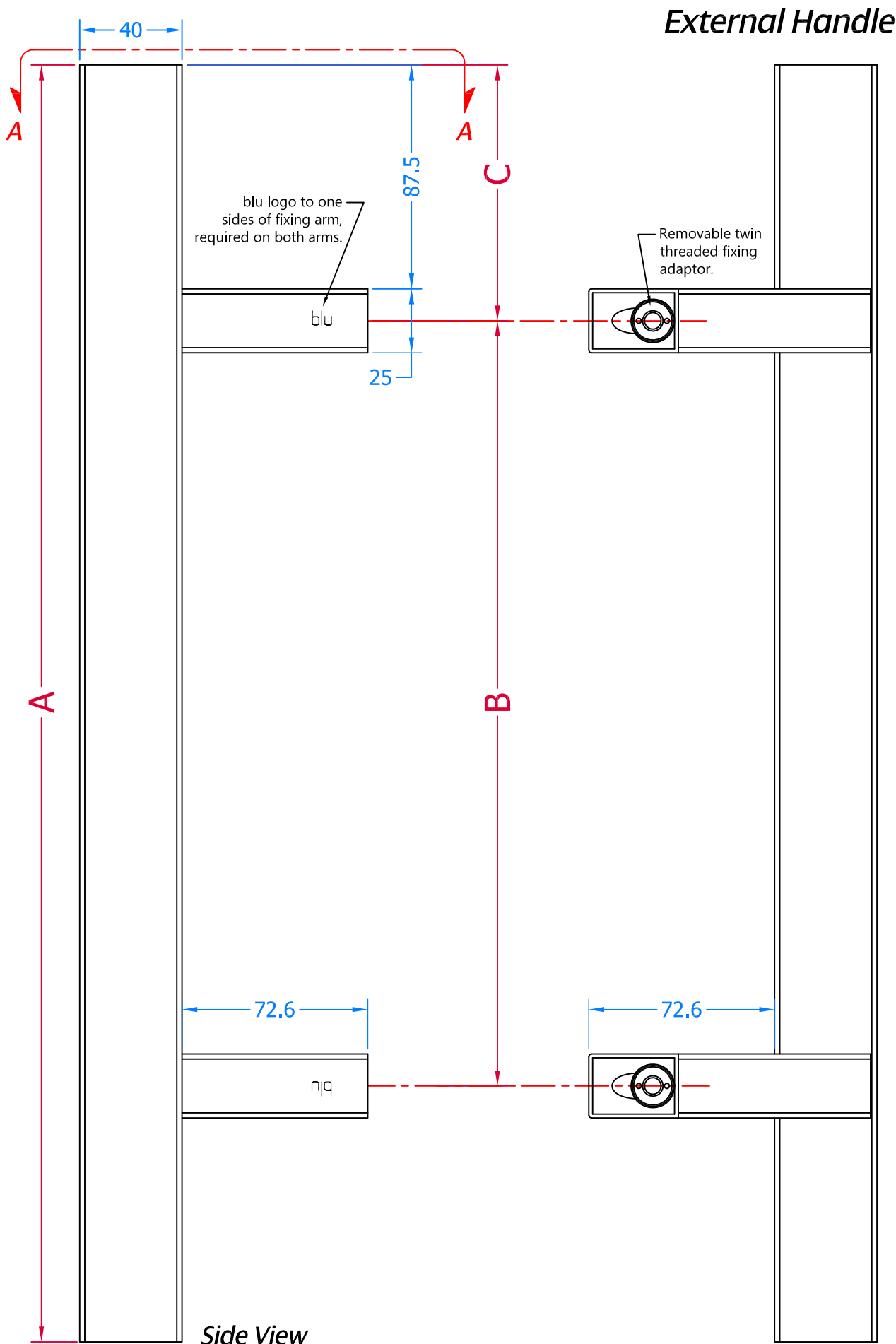
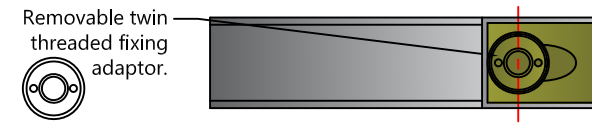


**REVISION HISTORY**

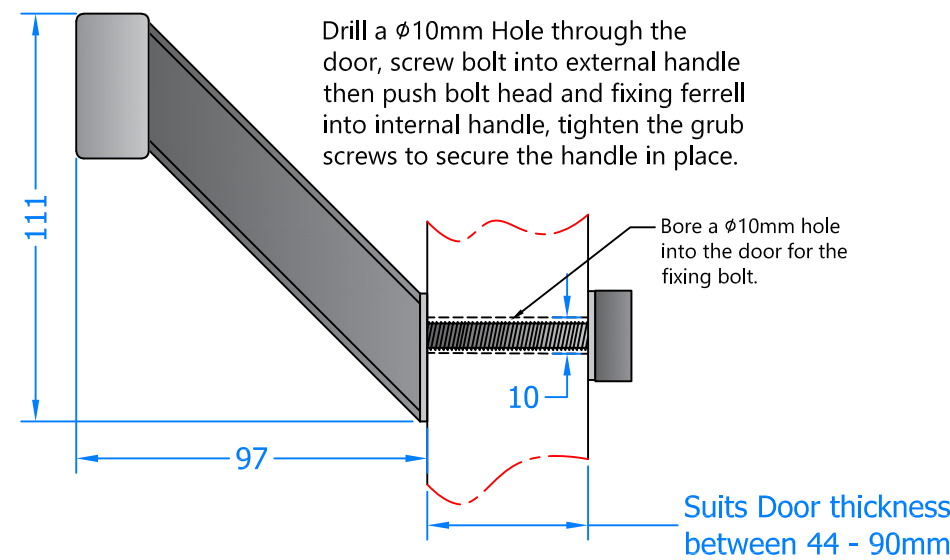
Revision	Description	DRFT	CHK	Date
A	Release	PW	BD	22/05/19



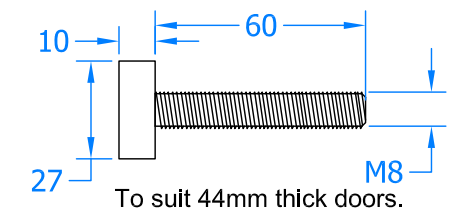
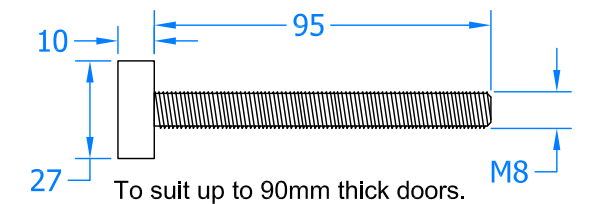
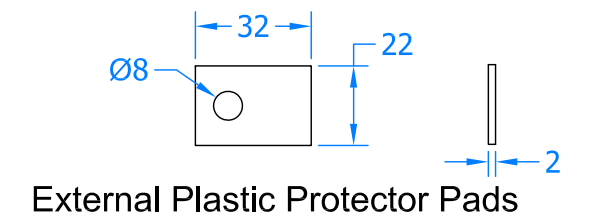
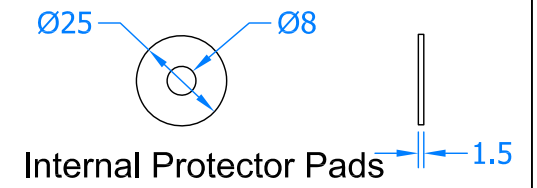
**External Handle Arm**



**External Handle**



Part Number	Length (A)	Centre (B)	Distance (C)
HAB7-1200-BF	1200mm	1000mm	100mm



**Stainless Steel Fixing Bolts**

Global House  
Bojea Industrial Estate  
Trehowel, St Austell  
Cornwall, PL25 5RJ

**blu** Performance in Motion

t | 01726 871724  
f | 01726 871731  
sales@blu-performance.com  
www.blu-performance.com

**blu™ Performance**

Drawing Title: **HAB7 - Offset Rectangular 'T' Bar Pull Handle - Bolt Fixing Method**

Product Range: **Stainless Steel Pull Handles**

Additional Info:

Date Drawn: 22/05/2019  
Drawn By: Phil Walklett  
Part Number: HAB7-(SIZE)-BF-SSS  
File Name: BP-HAB7-BF-SSS.dwg  
Revision: A  
Drawing Scale: Not to Scale  
Sheet Number: 1 of 1

THIRD ANGLE PROJECTION

This drawing and specification are the property of blu Performance, they are issued in strict confidence and shall not be reproduced, copied or used without written permission.