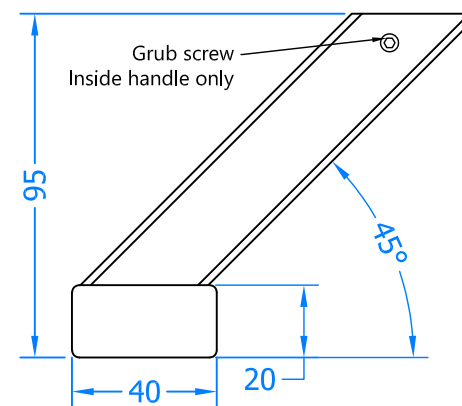
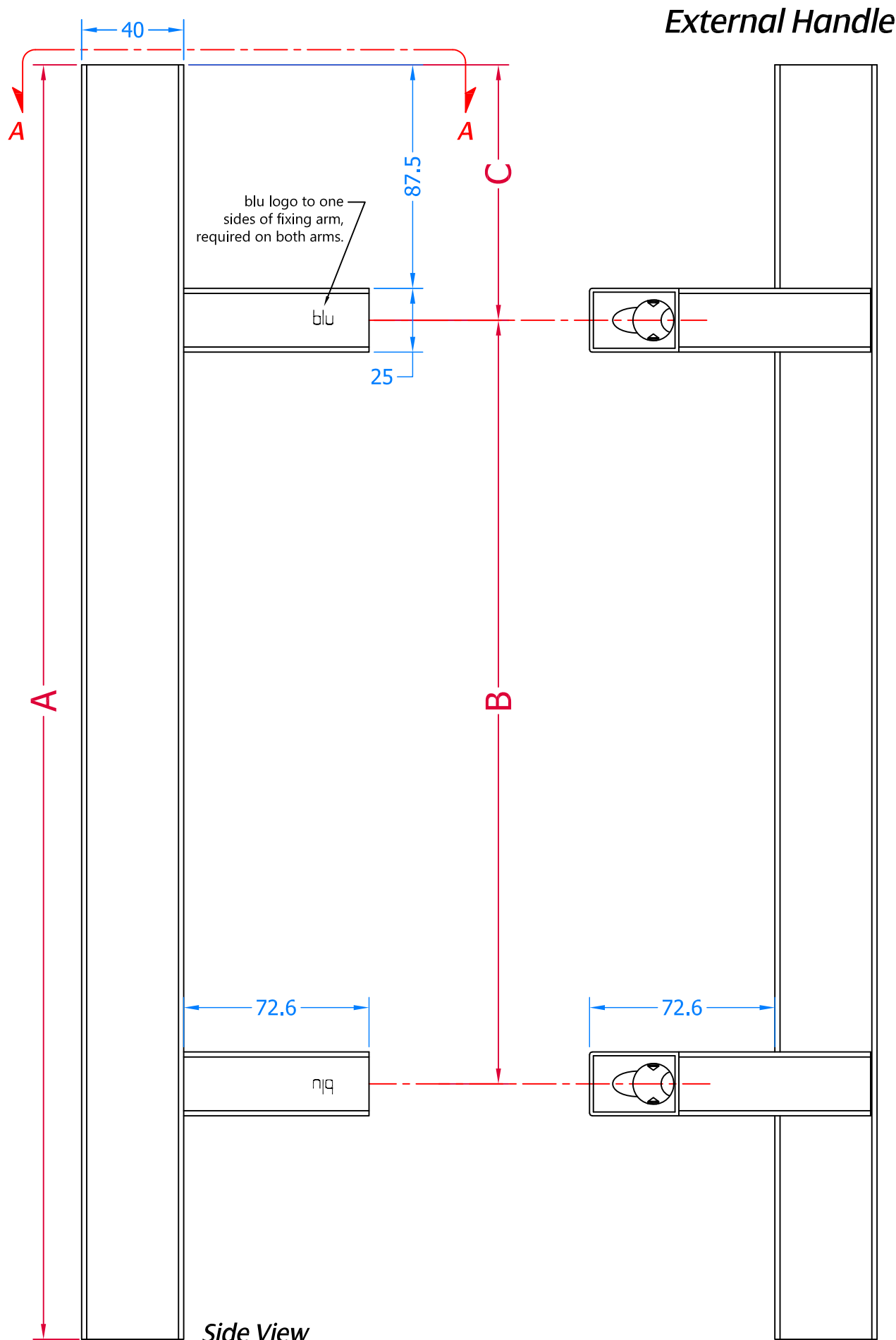


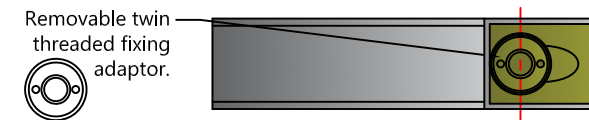
REVISION HISTORY

Revision	Description	DRFT	CHK	Date
A	Release	PW	BD	22/05/19

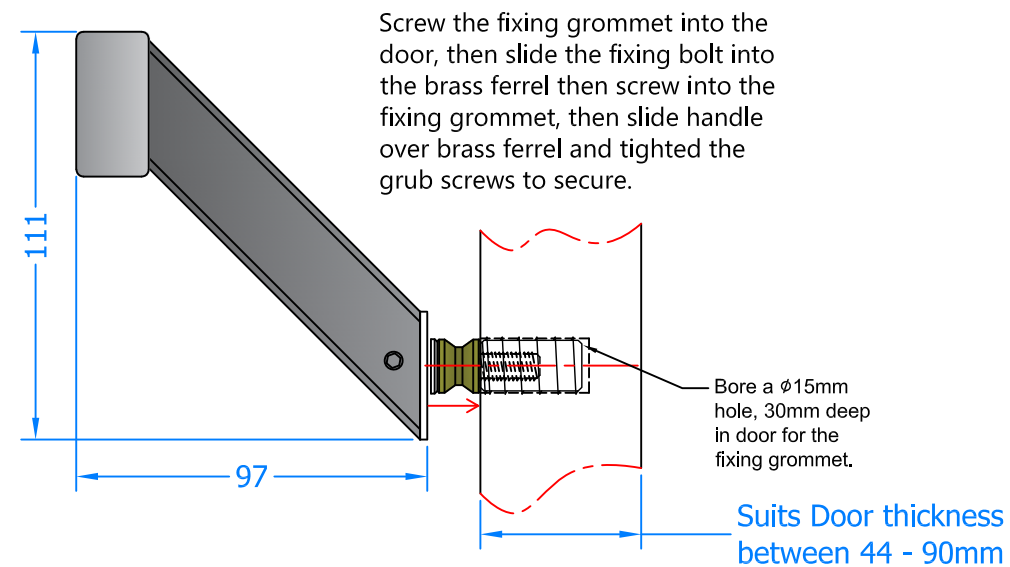


Section A-A

External Handle Arm



External Handle

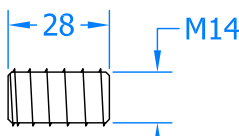


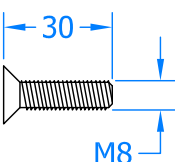
Part Number	Length (A)	Centre (B)	Distance (C)
HAB7-1200-SF	1200mm	1000mm	100mm


2 x Plastic Protector Pads
Not Required on Timber Doors


2 x Brass Ferrels


1 x 3mm Allen Key


2 x Fixing Grommet


2 x Stainless Steel Fixing Bolts

blu Performance in Motion

Global House
Bojea Industrial Estate
Trehowel, St Austell
Cornwall, PL25 5RJ

t | 01726 871724
f | 01726 871731
sales@blu-performance.com
www.blu-performance.com

blu™ Performance

Drawing Title: **HAB7 - Offset Rectangular 'T' Bar Pull Handle - Secret Fixing Method**

Product Range: **Stainless Steel Pull Handles**

Additional Info:

Date Drawn: 22/05/2019

Drawn By: Phil Walklett

Part Number: HAB7-(SIZE)-SF-SSS

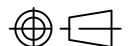
File Name: BP-HAB7-SF-SSS.dwg

Revision: A

Drawing Scale: Not to Scale

Sheet Number: 1 of 1

THIRD ANGLE PROJECTION



This drawing and specification are the property of blu Performance, they are issued in strict confidence and shall not be reproduced, copied or used without written permission.