

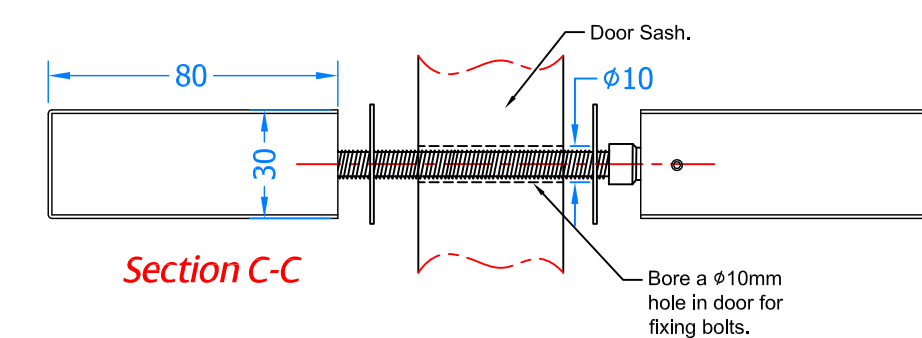
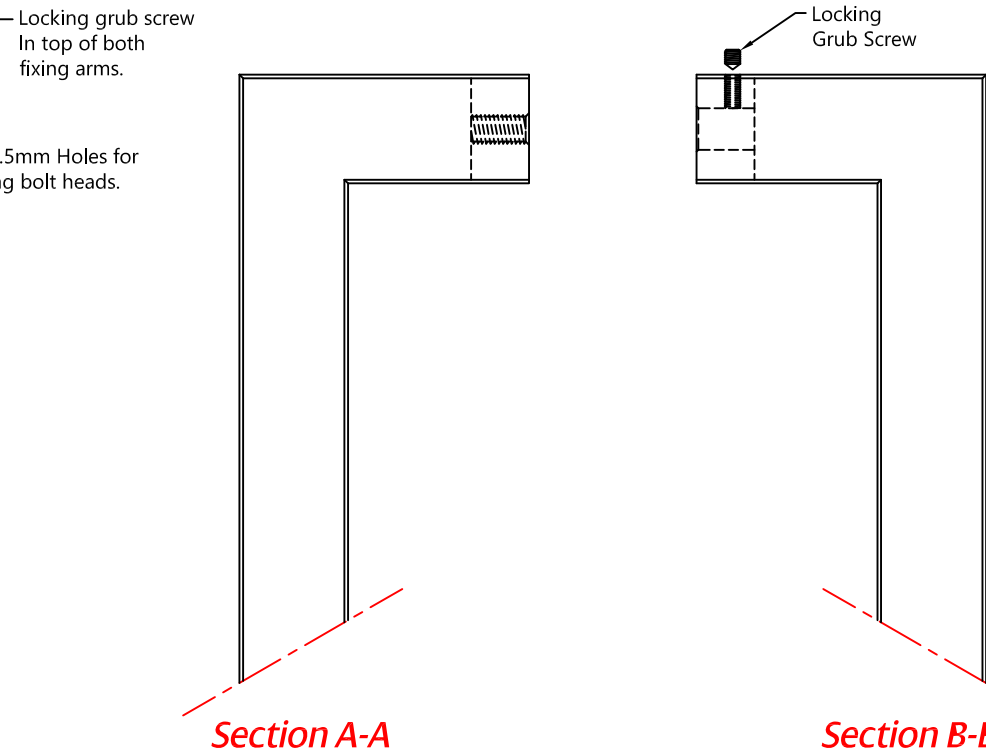
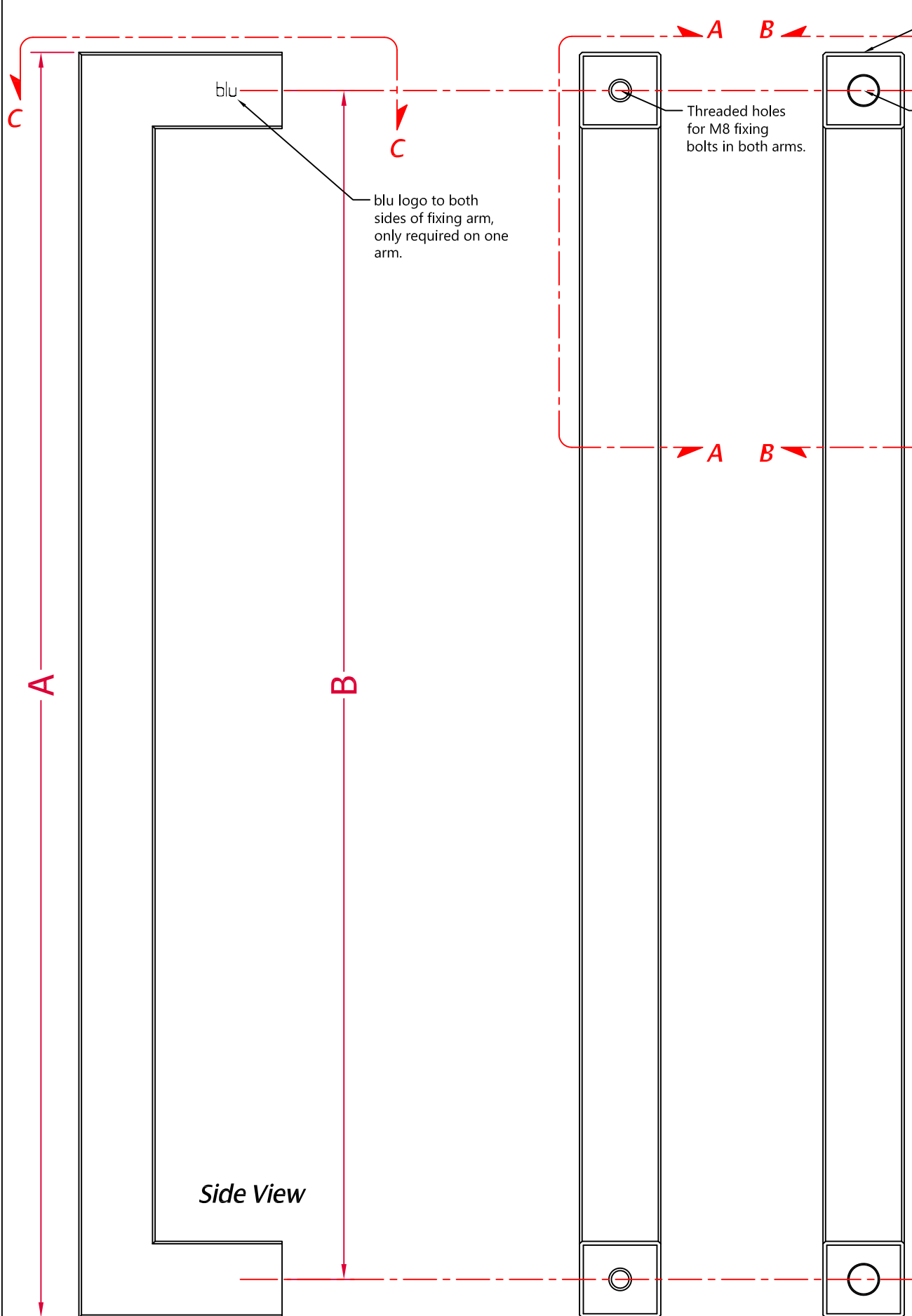
REVISION HISTORY

Revision	Description	DRFT	CHK	Date
A	Release	PW	BD	06/02/19

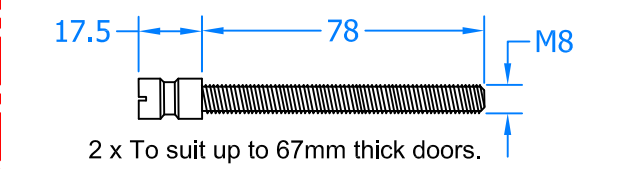
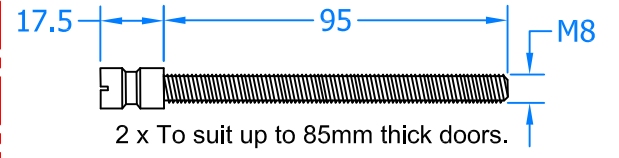
External Handle Internal Handle

External Handle

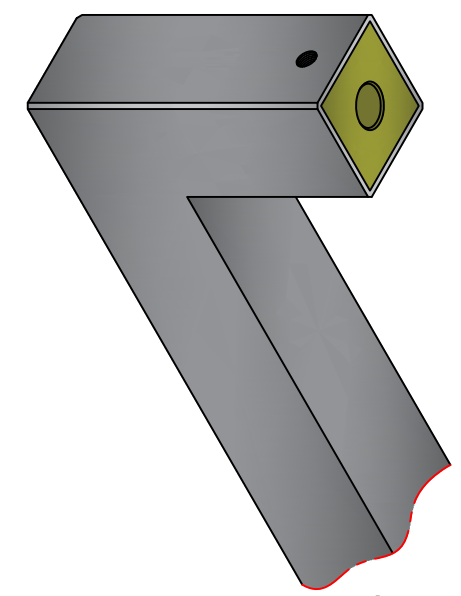
Internal Handle



- 4 x Glass Protector Pads
Not Required on Timber Doors
- 4 x Metal Washers
- 1 x 3mm Allen Key



Stainless Steel Fixing Bolts



Part Number	Length (A)	Centre (B)
HAB4-1200-BB	1230mm	1200mm

Please Note:
The transport fixings that are used are not 316 Stainless Steel and are they are for transportation means only, please discard these fittings and use the stainless steel bolts that are provided in the fixing packs when fixing to door.

51

blu™ Performance

Global House
Bojea Industrial Estate
Trehowel, St Austell
Cornwall, PL25 5RJ

t | 01726 871724
f | 01726 871731
sales@blu-performance.com
www.blu-performance.com

blu™ Performance

Drawing Title:
HAB4 - Square Mitre Pull Handle
Back to Back Fixing Method

Product Range:
Stainless Steel Pull Handles

Additional Info:

Date Drawn: 06/02/2019
Drawn By: Phil Walklett
Part Number: HAB4-(SIZE)-BB-SSS
File Name: BP-HAB4-BB-SSS.dwg
Revision: A
Drawing Scale: Not to Scale
Sheet Number: 1 of 1

THIRD ANGLE PROJECTION

This drawing and specification are the property of blu Performance, they are issued in strict confidence and shall not be reproduced, copied or used without written permission.