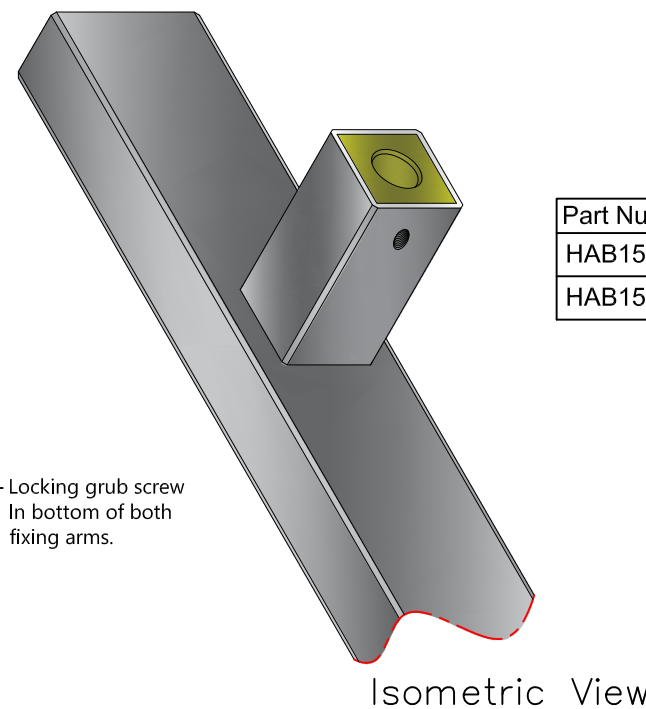
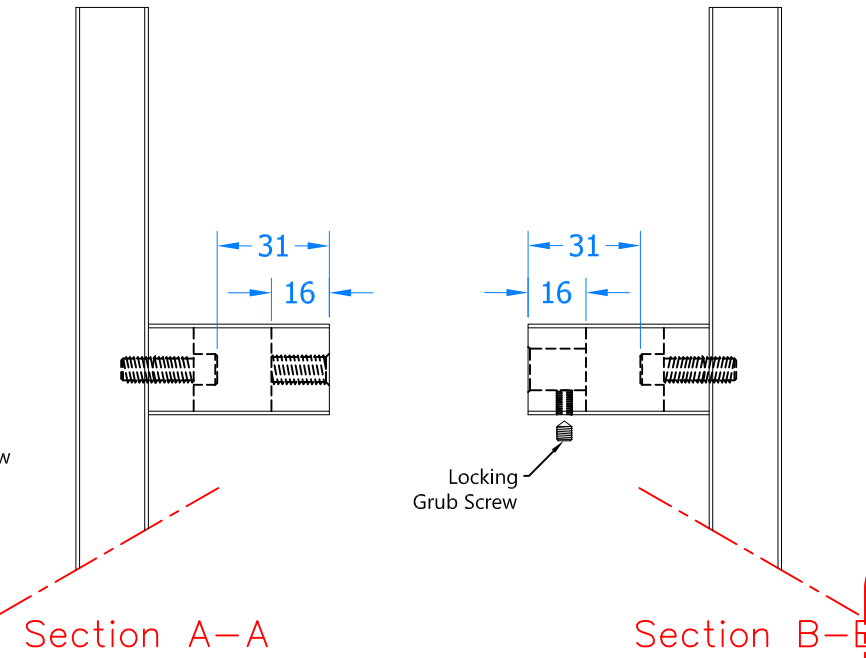
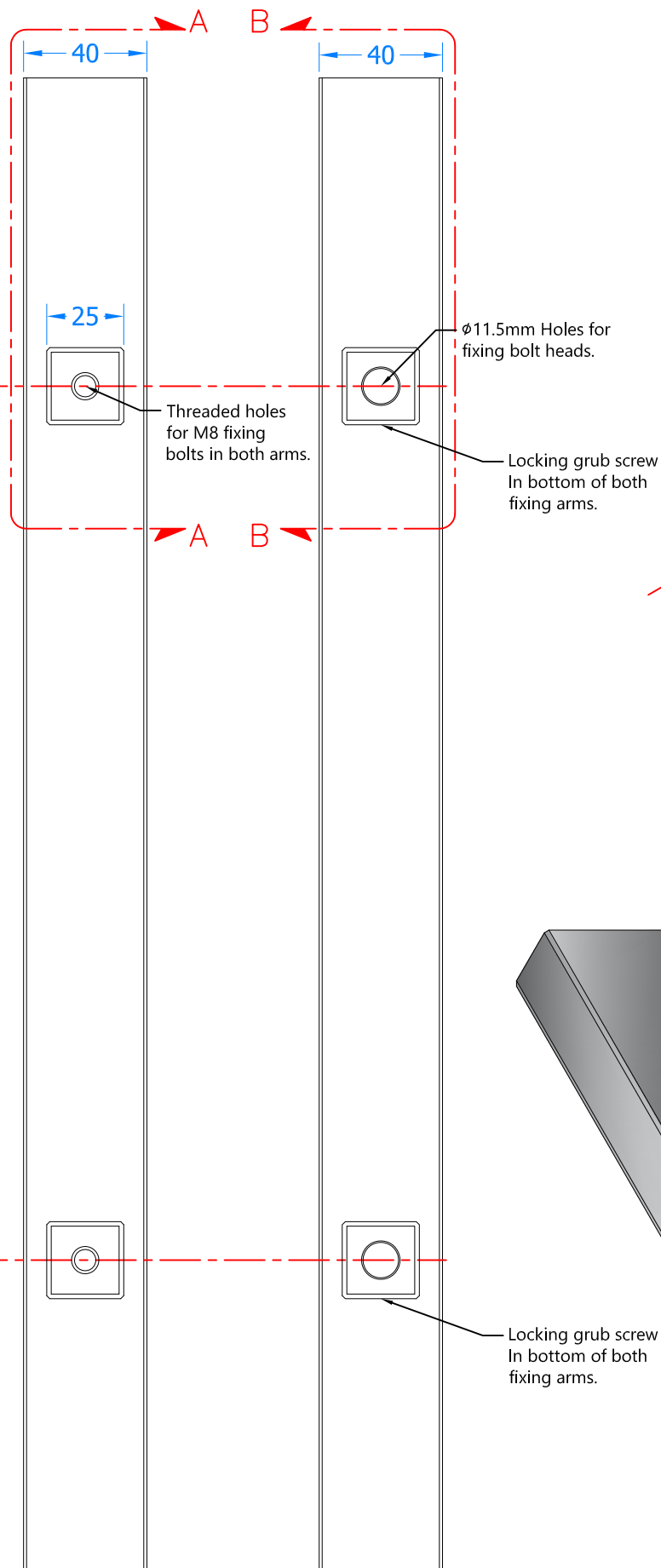
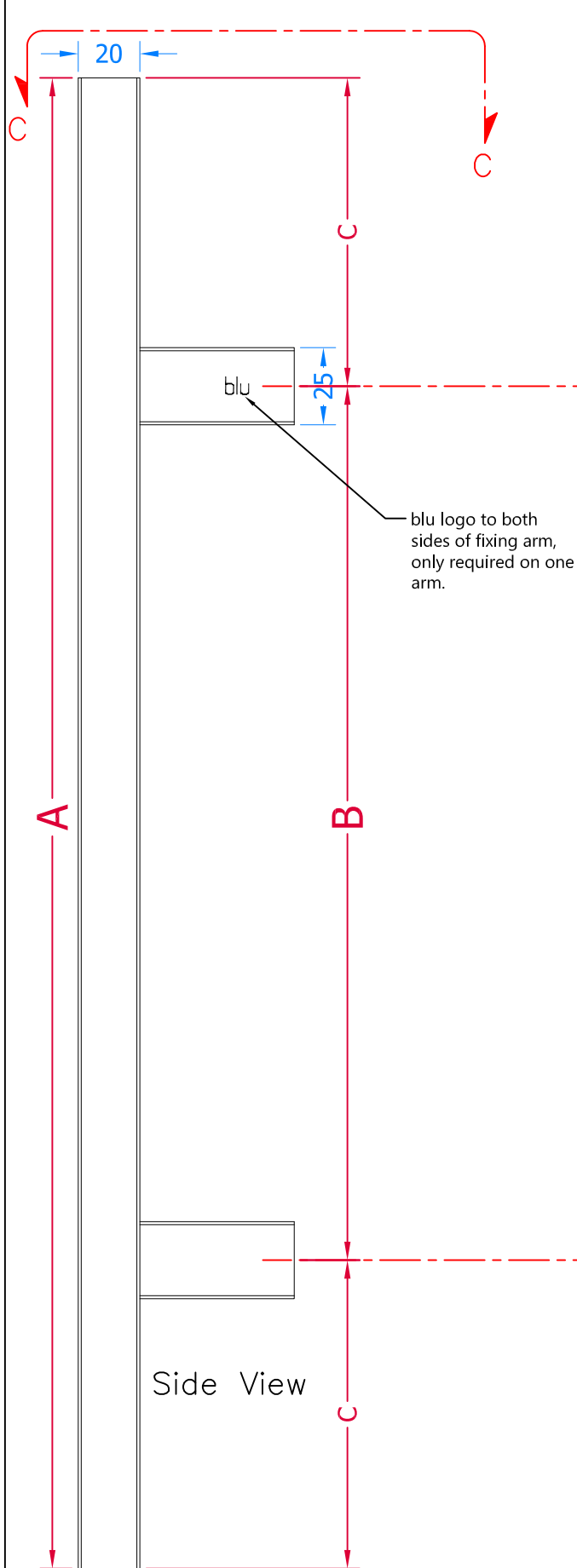
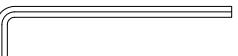


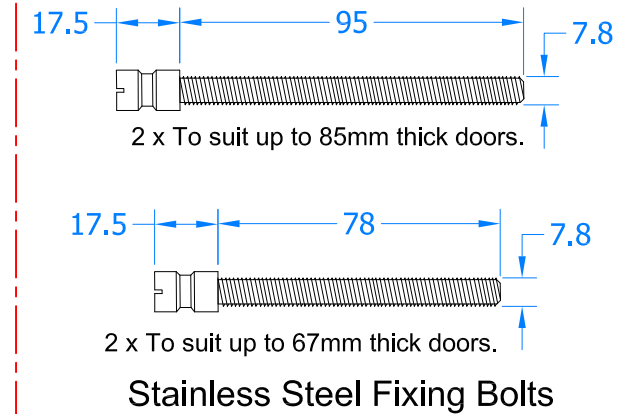
REVISION HISTORY				
Revision	Description	DRFT	CHK	Date
A	Release	PW	BD	13/02/19

External Handle Internal Handle External Handle Internal Handle

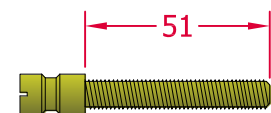


Part Number	Length (A)	Centre (B)	Centre (C)
HAB15-400-BB	400mm	300mm	50mm
HAB15-1200-BB	1200mm	1000mm	100mm

-  4 x Glass Protector Pads  
Not Required on Timber Doors
-  4 x Metal Washers
-  1 x 3mm Allen Key



**Please Note:**  
The transport fixings that are used are not 316 Stainless Steel and are they are for transportation means only, please discard these fittings and use the stainless steel bolts that are provided in the fixing packs when fixing to door.



51

**blu** Performance in Motion

Global House  
Bojea Industrial Estate  
Trehowel, St Austell  
Cornwall, PL25 5RJ

t | 01726 871724  
f | 01726 871731  
sales@blu-performance.com  
www.blu-performance.com

**blu™ Performance**

Drawing Title:  
**HAB15 - Inline Rectangular 'T' Bar Pull Handle - Back to Back Fixing**

Product Range:  
**Stainless Steel Pull Handles**

Additional Info:

Date Drawn: 13/02/2019  
Drawn By: Phil Walklett  
Part Number: HAB15-{SIZE}-BB-SSS  
File Name: BP-HAB15-BB-SSS.dwg  
Revision: A  
Drawing Scale: Not to Scale  
Sheet Number: 1 of 1

THIRD ANGLE PROJECTION

This drawing and specification are the property of blu Performance, they are issued in strict confidence and shall not be reproduced, copied or used without written permission.