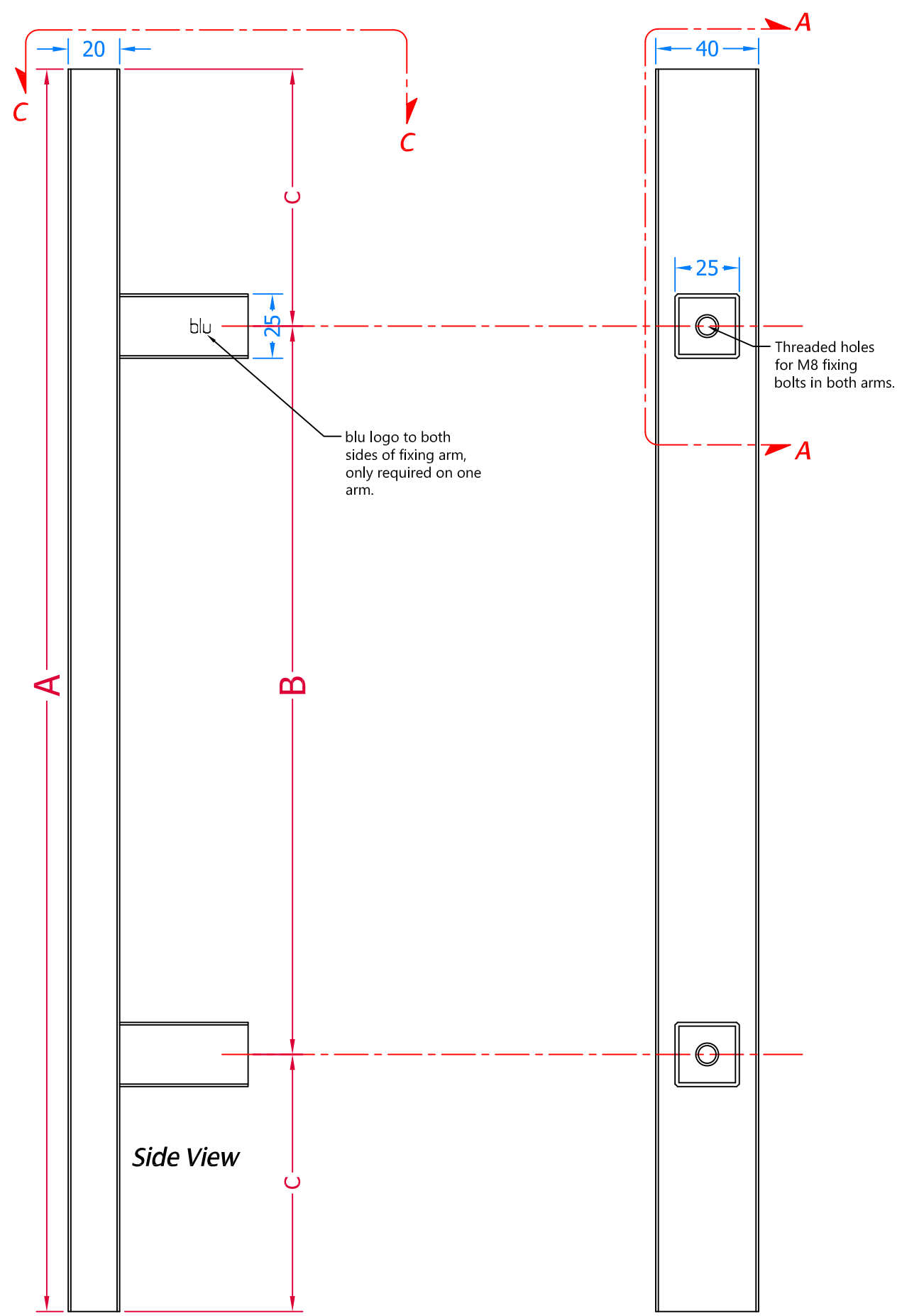
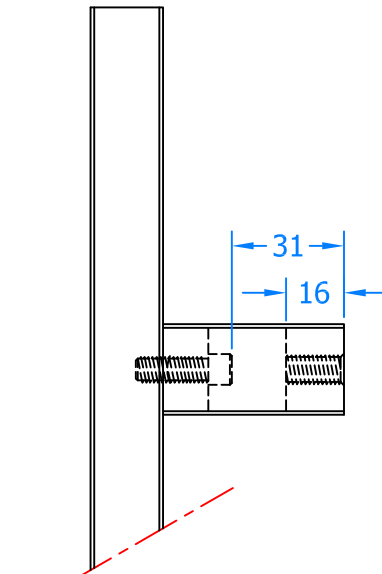


REVISION HISTORY				
Revision	Description	DRFT	CHK	Date
A	Release	PW	BD	13/02/19

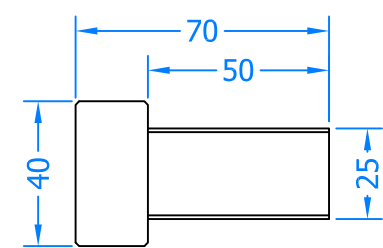


Threaded holes for M8 fixing bolts in both arms.

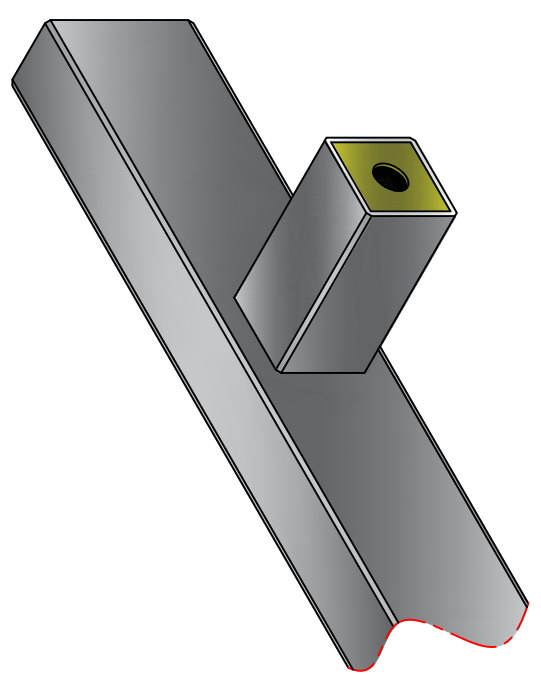
blu logo to both sides of fixing arm, only required on one arm.



Section A-A



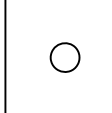

Section C-C

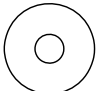



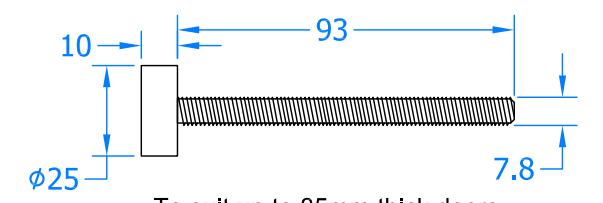
Isometric View

Part Number	Length (A)	Centre (B)	Centre (C)
HAB15-1200-BF	1200mm	1000mm	100mm

 
4 x Glass Protector Pads
 Not Required on Timber Doors

 
4 x Metal Washers

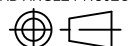
 
Internal Protector Pads
 Bolt Side



To suit up to 85mm thick doors.
Stainless Steel Fixing Bolts

 **blu™ Performance**
 Global House
 Bojea Industrial Estate
 Trethowel, St Austell
 Cornwall, PL25 5RJ
 t | 01726 871724
 f | 01726 871731
 sales@blu-performance.com
 www.blu-performance.com

blu™ Performance	
Drawing Title: HAB15 - Inline Rectangular 'T' Bar Pull Handle - Bolt Fixing Method	
Product Range: Stainless Steel Pull Handles	
Additional Info:	
Date Drawn:	13/02/2019
Drawn By:	Phil Walklett
Part Number:	HAB15-{SIZE}-BF-SSS
File Name:	BP-HAB15-BF-SSS.dwg
Revision:	A
Drawing Scale:	Not to Scale
Sheet Number:	1 of 1

THIRD ANGLE PROJECTION  This drawing and specification are the property of blu Performance, they are issued in strict confidence and shall not be reproduced, copied or used without written permission.