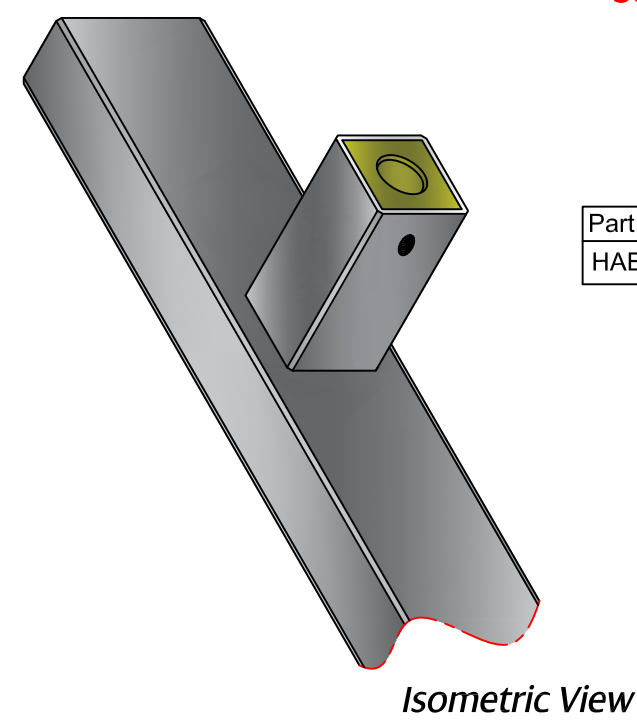
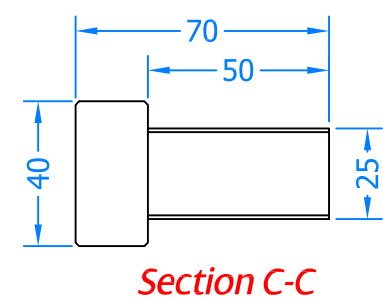
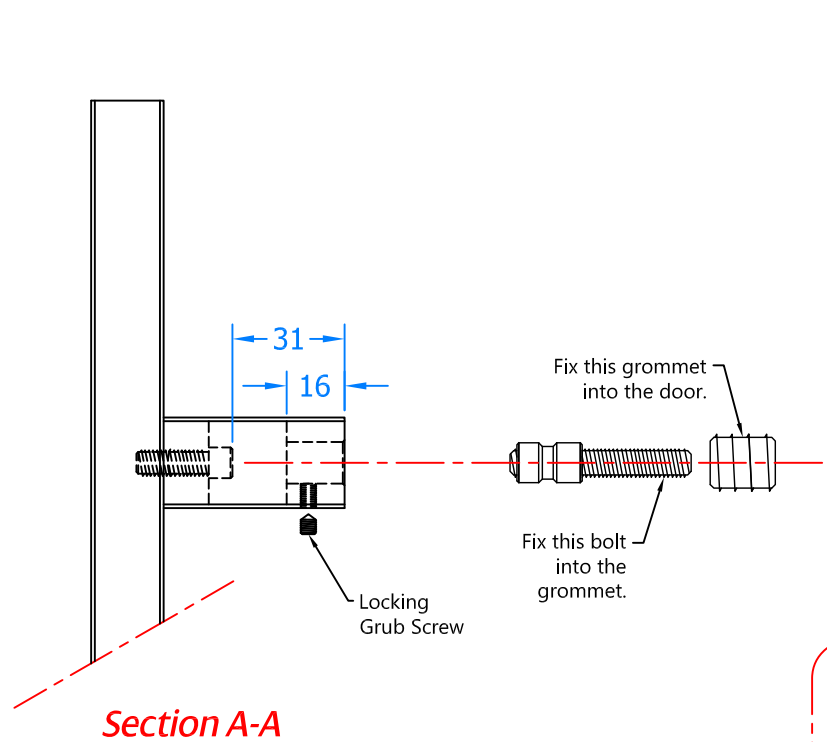
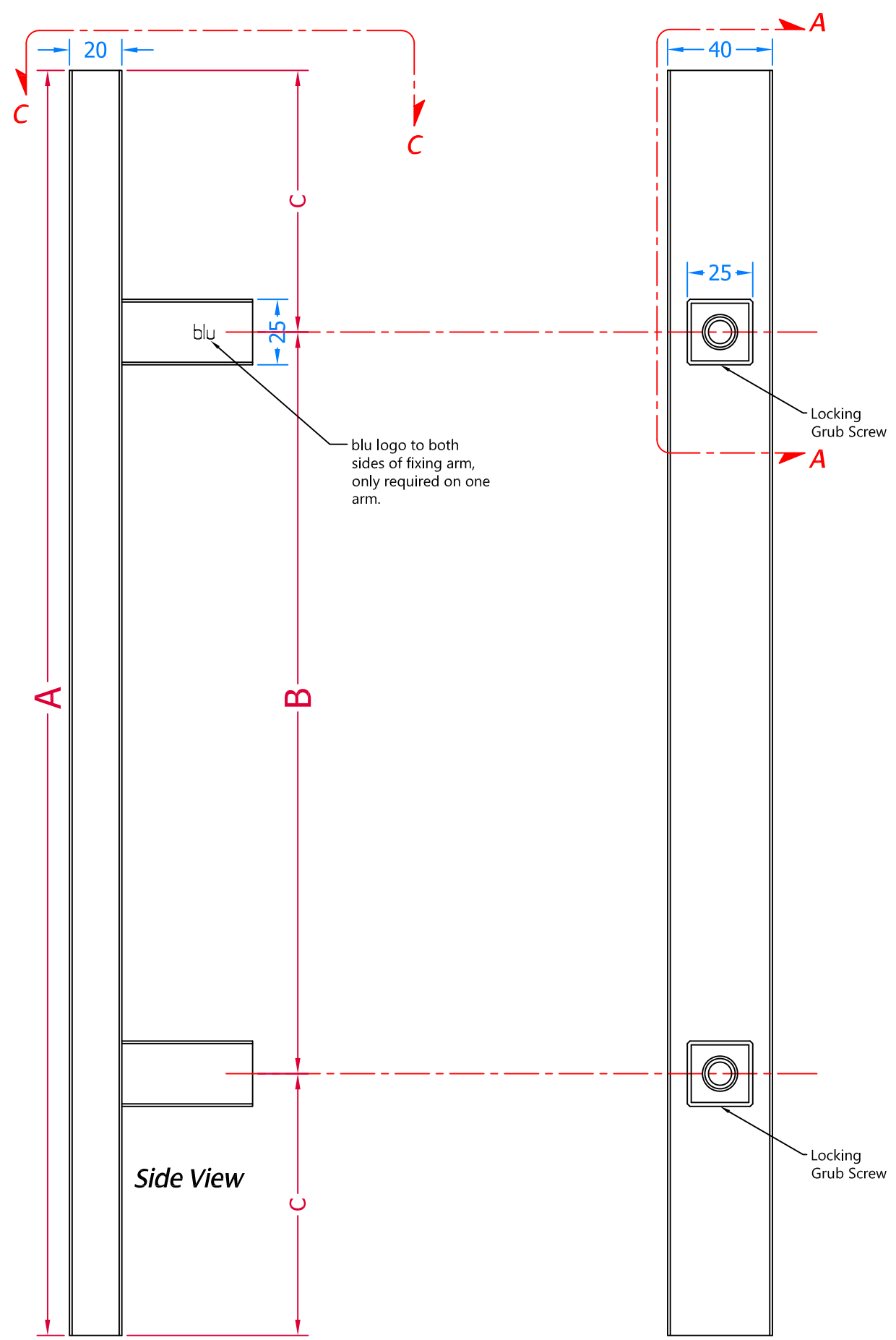
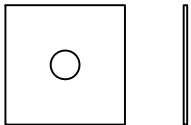
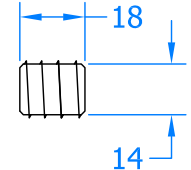
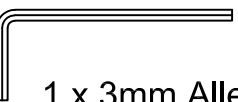
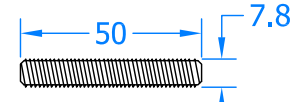
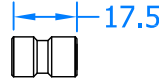


REVISION HISTORY				
Revision	Description	DRFT	CHK	Date
A	Release	PW	BD	13/02/19



Part Number	Length (A)	Centre (B)	Centre (C)
HAB15-1200-SF	1200mm	1000mm	100mm

-  4 x Metal Washers
-  2 x Fixing Grommet
-  1 x 3mm Allen Key
-  2 x Threaded Bar
-  2 x Fixing Sleeves

**blu™ Performance** in Motion

Global House  
Bojea Industrial Estate  
Trehowel, St Austell  
Cornwall, PL25 5RJ

t | 01726 871724  
f | 01726 871731  
sales@blu-performance.com  
www.blu-performance.com

**blu™ Performance**

Drawing Title:  
**HAB15 - Inline Rectangular 'T' Bar Pull Handle - Secret Fixing Method**

Product Range:  
**Stainless Steel Pull Handles**

Additional Info:

Date Drawn: 13/02/2019  
Drawn By: Phil Walklett  
Part Number: HAB15-{SIZE}-SF-SSS  
File Name: BP-HAB15-SF-SSS.dwg  
Revision: A  
Drawing Scale: Not to Scale  
Sheet Number: 1 of 1

THIRD ANGLE PROJECTION

This drawing and specification are the property of blu Performance, they are issued in strict confidence and shall not be reproduced, copied or used without written permission.