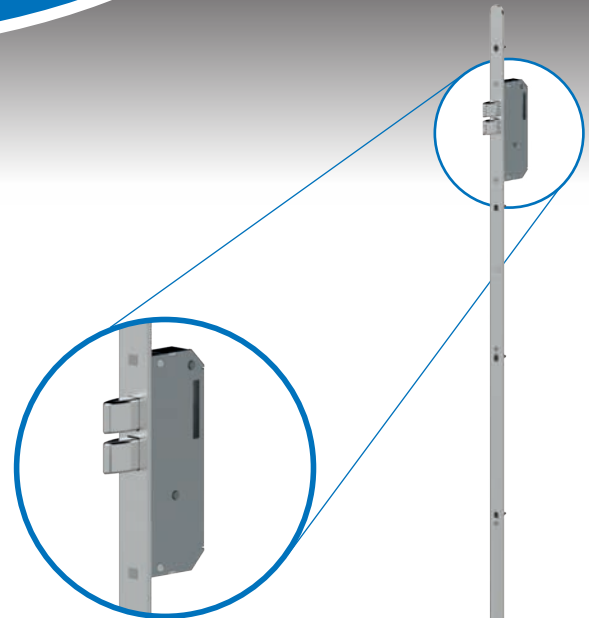


Single Door Multipoint Lock - Radius End

ML60R



Technical Information:

- 92mm Euro Lock Centre
- 35, 45 & 55mm Backset options
- Universal Lock Handing (*Latch release*)
- Size 2 lock

- ▶ 5-Point locking system with twin tapered deadbolts
- ▶ Twin tapered deadbolts provide low operating force, perfect sealing compression and increased weather protection
- ▶ High performance, strengthened centre gearbox
- ▶ Up to 50% greater fitting tolerances than hooks
- ▶ Finished in Silver Bichromate to BS EN 1670:2007 Grade 4

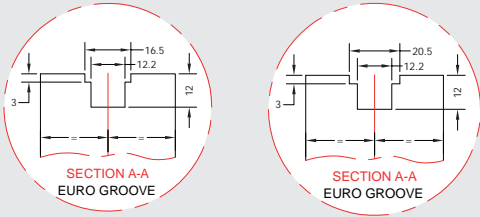


ML60R-45-2-SV

LIT-DC-ML60R

Single Door Multipoint Lock - Radius End

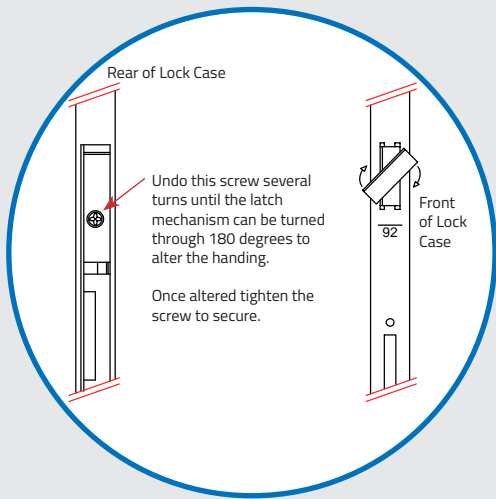
What are faceplate widths?



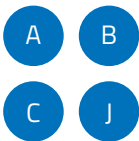
Typical faceplate widths are 16mm or 20mm, this is measured across the face of the lock.

The diagrams above show typical routing detail to suit either the 16mm or 20mm.

How to release the latch on a non-handed (universal) multipoint lock



Keep Options:



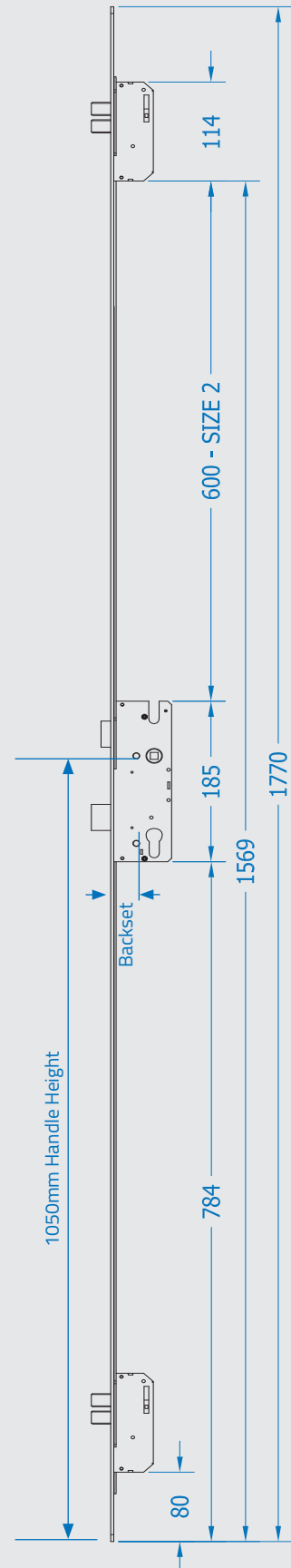
View our Keeps Data Card for more information on the keep options for this multipoint lock

Single Door Multipoint Lock - Radius

Part Number	Product	Backset	Units
ML60R-35-2-SV	20mm Faceplate, Radius end	35mm	Each
ML60R-45-2-SV	20mm Faceplate, Radius end	45mm	Each
ML60R-55-2-SV	20mm Faceplate, Radius end	55mm	Each

Finish:

SV Silver Passivated



LIT-DC-ML60R