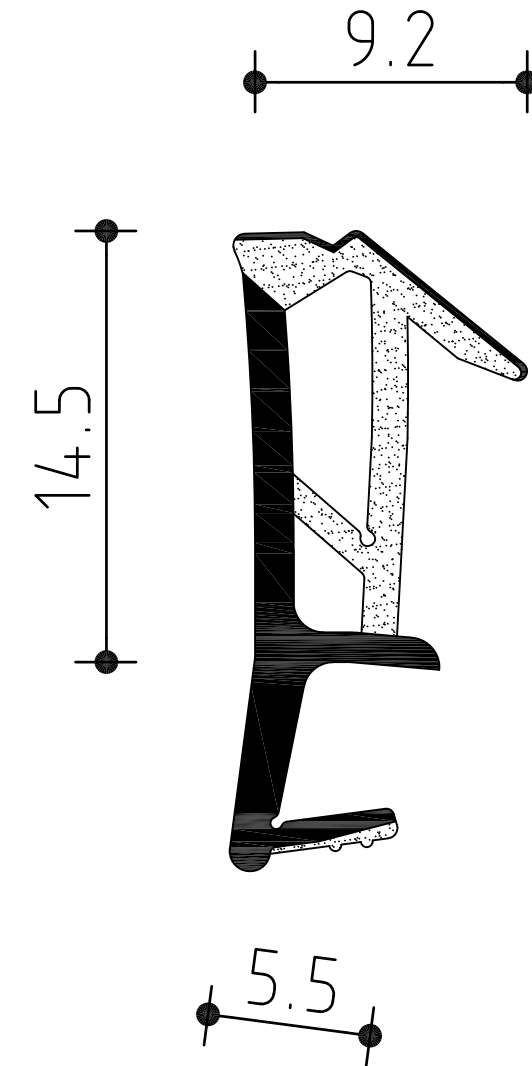
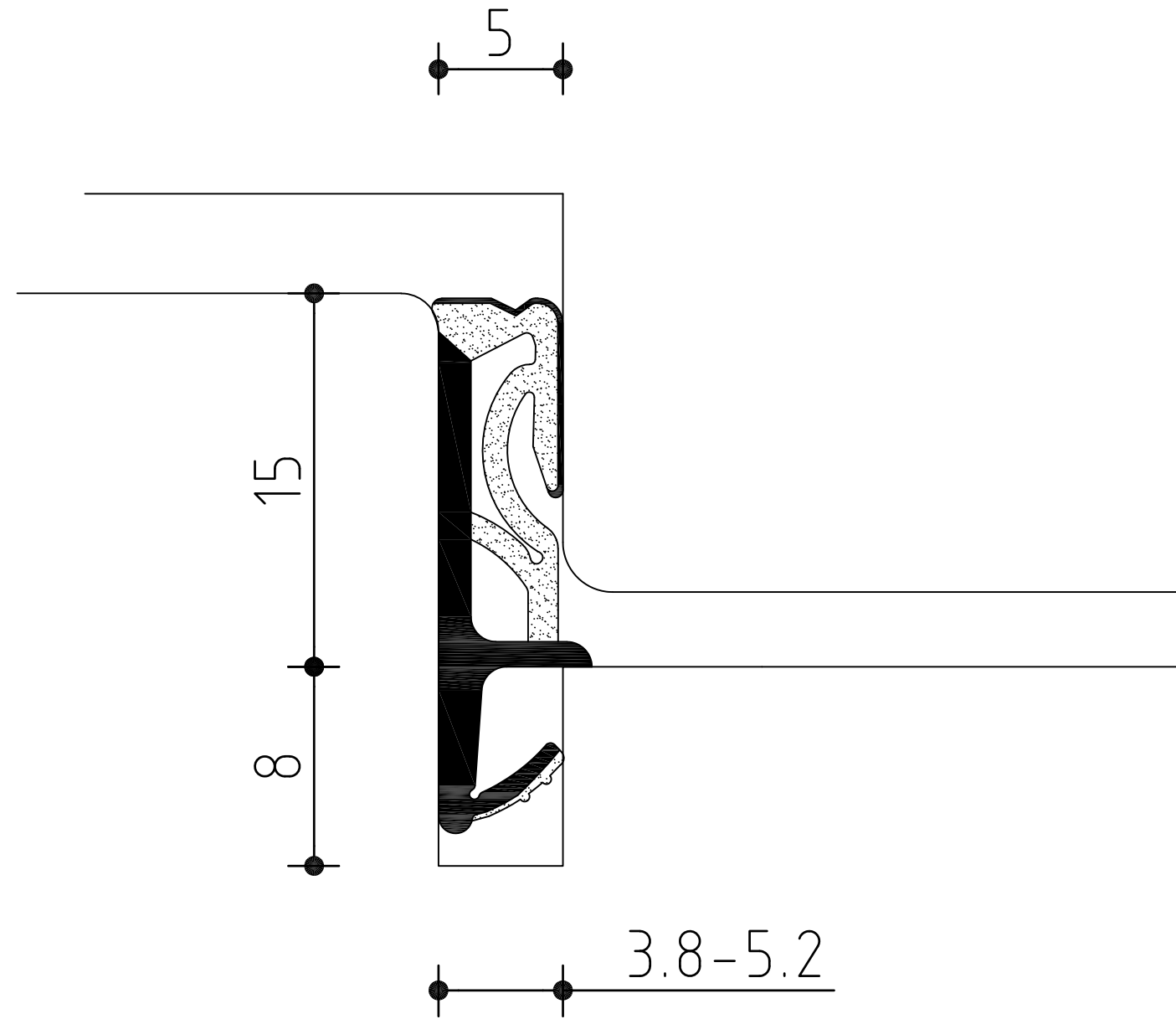


**REVISION HISTORY**

Revision	Description	Drawn	Date
A	Release	PW	05/09/19

SPV 15



 *Innovating & Upgrading the Style, Performance & Longevity of External Doors & Windows Globally.*

**Coastal Specialist Ironmongery Ltd.**

Global House, Bojea Industrial Estate, Trethowel, St Austell, PL25 5RJ  
 t | 01726 871725 - f | 01726 871731 - e | sales@coastal-group.com  
 w | www.coastal-group.com

Part Number / Drawing Title:

**SPV15**  
**Compression Weatherseal**

Product Range:  
**Tapes & Weatherseals**

Material: TPE Material

Additional Info:

Date Drawn: 05/09/2019

Drawn By: Phil Walklett

Part Number: SPV15

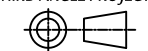
File Name: CG-SPV15.dwg

Revision: A

Drawing Scale: Not to Scale

Sheet Number: 1 of 1

THIRD ANGLE PROJECTION



This drawing and specification are the property of Coastal, they are issued in strict confidence and shall not be reproduced, copied or used without written permission.