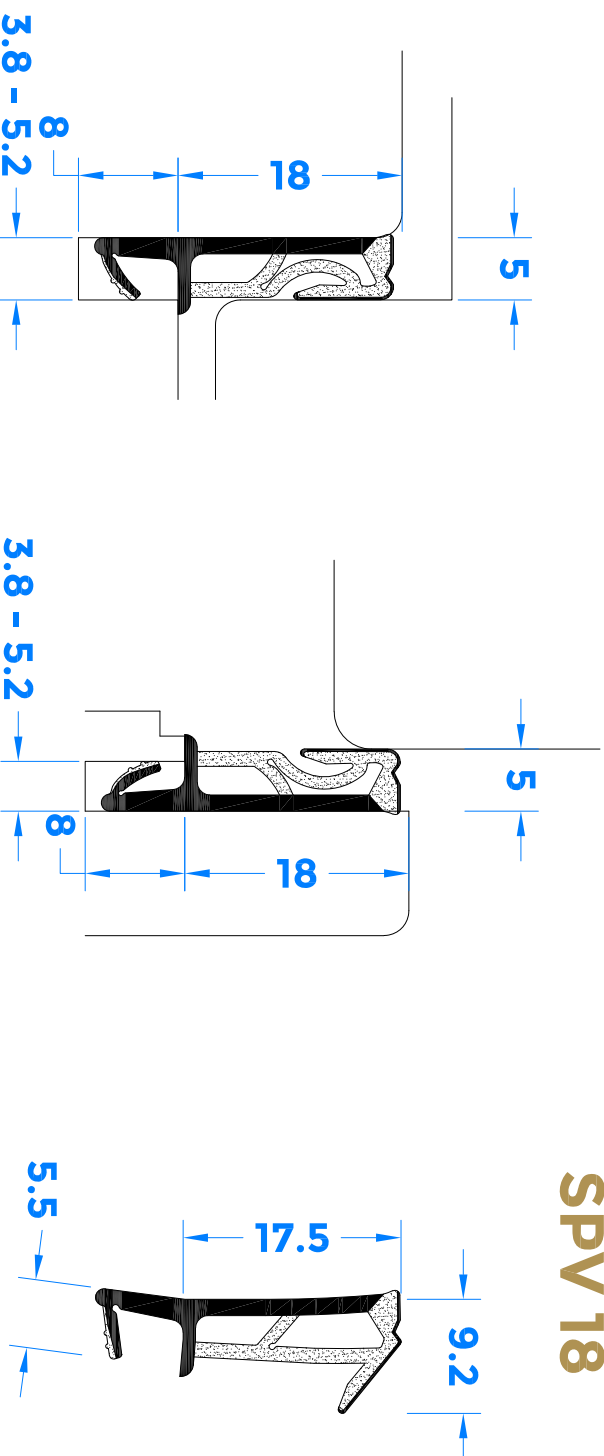


Drawing Revision History		
Revision	Description / Change	Date
A	Release	05/09/24
B	Release to New Template	11/09/24

# SPV 18




  
**COASTAL**
  
 coastal-group.com
   
*Shaping the future.*

Part Number / Drawing Title:  
**SPV18**  
**Compression Weatherseal**

Product Range:  
**Seals**

Material: TPE

Additional Info:

Date Drawn: 05/09/24

Drawn By: Roger Phillips

Part Number: SPV18

File Name: CC-SPV18.dwg

Revision: B

Sheet Number: 1 of 1

Drawing Scale: Not To Scale

**THIRD ANGLE PROJECTION**  

  
 This drawing and specification are the property of Coastal Specialist Ironmongery Ltd, they are issued in strict confidence and shall not be reproduced, copied or used without written ECoE. All dimensions are specified in mm.