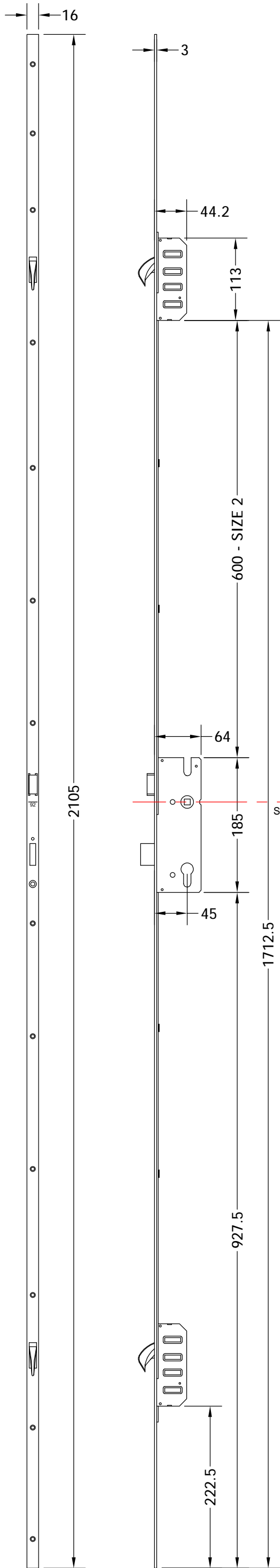
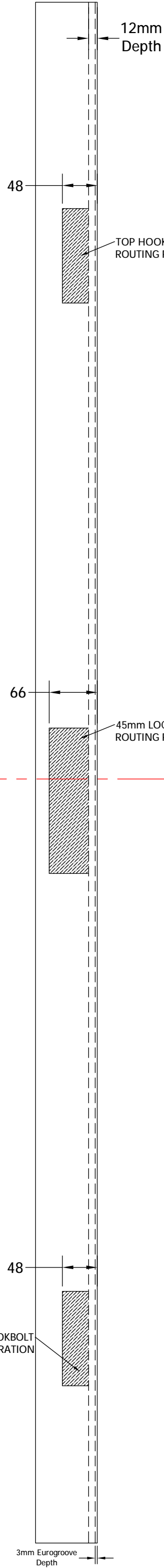
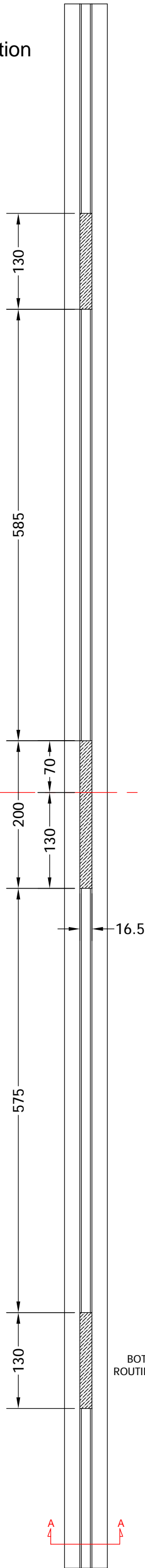


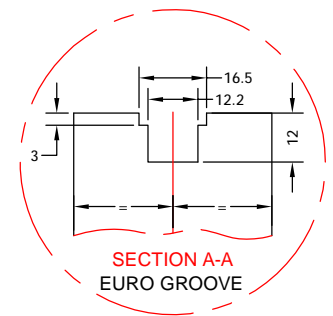
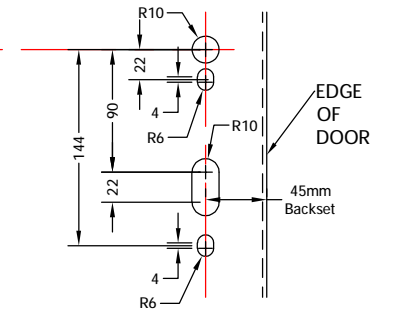
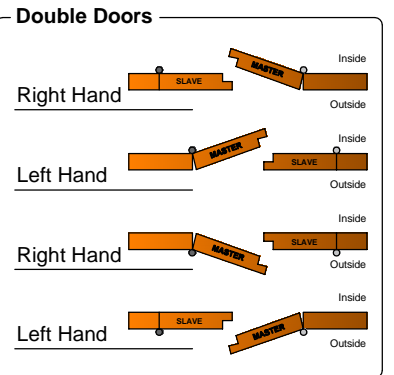
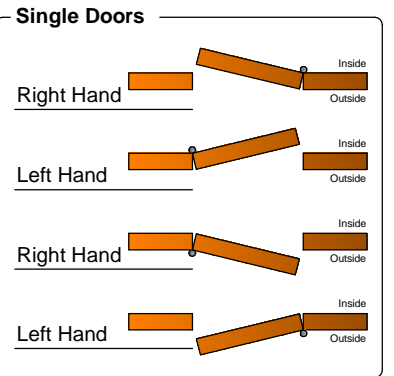
Revision History			
Revision	Description	Drawn By	Date
A	Released	PW	8/6/17



Routing Preparation



Handing Diagrams





Global House, Bojia Industrial Estate, Trethowel, St Austell, PL25 5RJ
 telephone | 01726 871724 - fax | 01726 871731
 email | sales@coastal-group.com - web | www.coastal-group.com

Coastal Group

Drawing Title:
ML46S - SIZE 2 - 45mm Backset Tapered Hook Lock

Product Range:
Standard Height, Single Door

Additional Info: 92mm Lock Centres, 16mm Faceplate
 Right Hand Shown, Left Hand Opposite

Date Drawn: 08/06/2017

Drawn By: Phil Walklett

Part Number: ML46S-45-2

File Name: CG-ML46S-45-2-SV.dwg

Revision: A

Drawing Scale: NONE

Sheet Number: 1 of 1

THIRD ANGLE PROJECTION

This drawing and specification are the property of Coastal Group, they are issued in strict confidence and shall not be reproduced, copied or used without written permission.