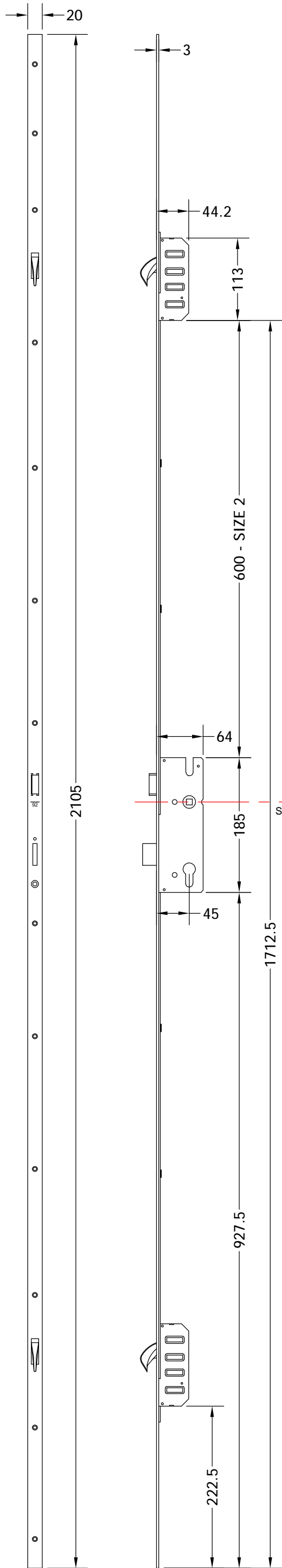
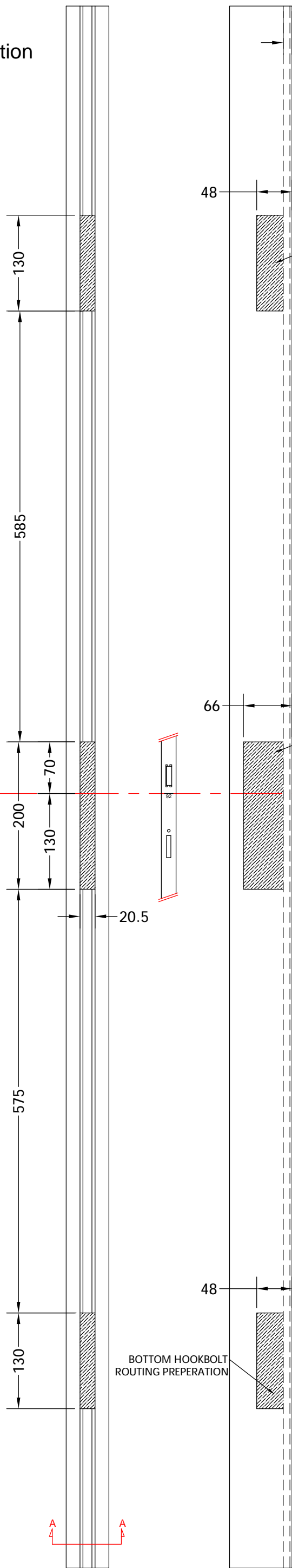


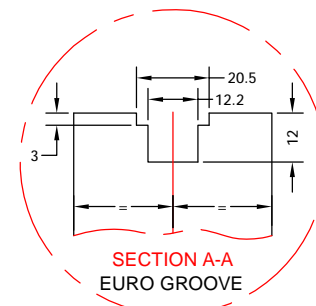
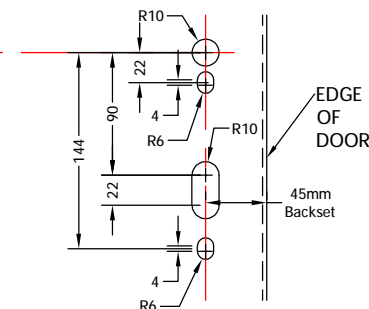
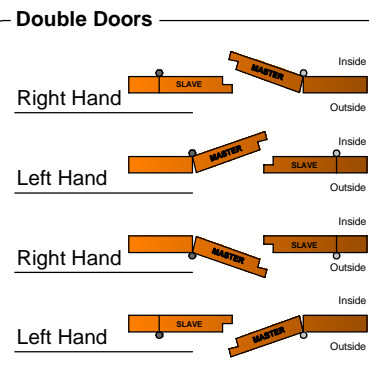
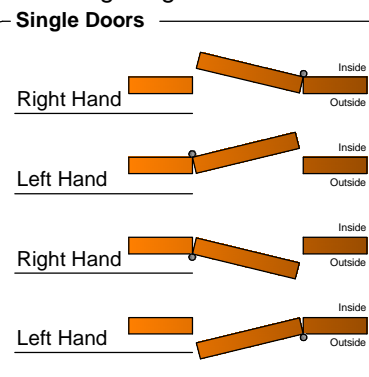
Revision History			
Revision	Description	Drawn By	Date
A	Released	PW	8/6/17



### Routing Preparation



### Handing Diagrams



**COASTAL GROUP**  
Global House, Bojia Industrial Estate, Trethowel, St Austell, PL25 5RJ  
telephone | 01726 871724 - fax | 01726 871731  
email | sales@coastal-group.com - web | www.coastal-group.com

<b>Coastal Group</b>	
Drawing Title: <b>ML40S - SIZE 2 - 45mm Backset Tapered Hook Lock</b>	
Product Range: <b>Standard Height, Single Door</b>	
Additional Info: 92mm Lock Centres, 20mm Faceplate Right Hand Shown, Left Hand Opposite	
Date Drawn:	12/06/2017
Drawn By:	Phil Walklett
Part Number:	ML40S-45-2
File Name:	CG-ML40S-45-2-SV.dwg
Revision:	A
Drawing Scale:	NONE
Sheet Number:	1 of 1

THIRD ANGLE PROJECTION  
This drawing and specification are the property of Coastal Group, they are issued in strict confidence and shall not be reproduced, copied or used without written permission.