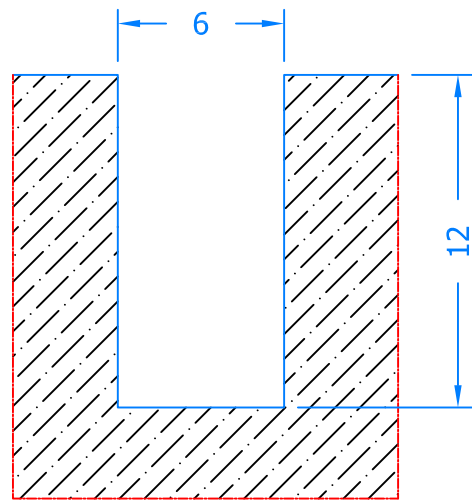
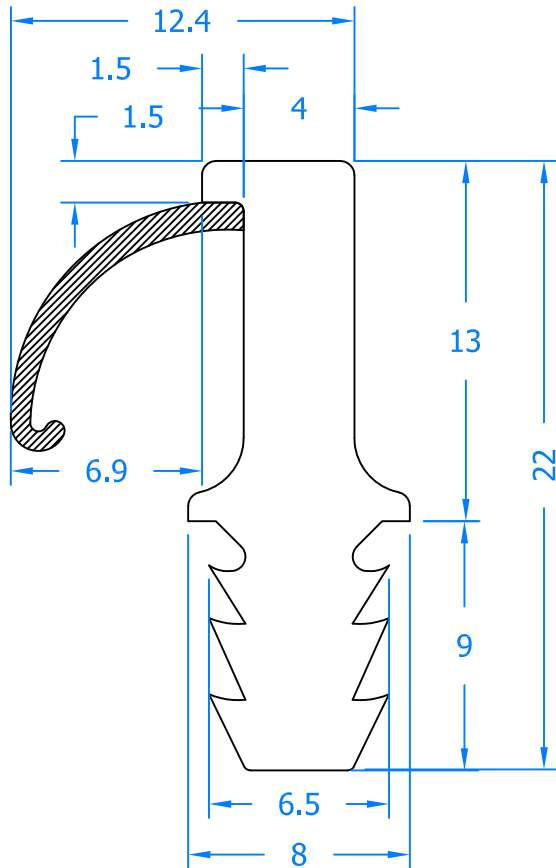


REVISION HISTORY

Revision	Description	Drawn	Date
A	Release	PW	05/11/19



Groove Detail



Innovating & Upgrading the Style,
Performance & Longevity of
External Doors & Windows Globally.

Coastal Specialist Ironmongery Ltd.

Global House, Bojea Industrial Estate, Trethewel, St Austell, PL25 5RJ
t | 01726 871725 - f | 01726 871731 - e | sales@coastal-group.com
w | www.coastal-group.com

Part Number / Drawing Title:

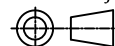
**T647 Flipper Seal
Open Flipper Water Bar**

Product Range:

Weatherseals

Material:	
Additional Info:	
Date Drawn:	05/11/2019
Drawn By:	Phil Walklett
Part Number:	T647
File Name:	CG-T647.dwg
Revision:	A
Drawing Scale:	Not to Scale
Sheet Number:	1 of 1

THIRD ANGLE PROJECTION



This drawing and specification are the property of Coastal, they are issued in strict confidence and shall not be reproduced, copied or used without written permission.