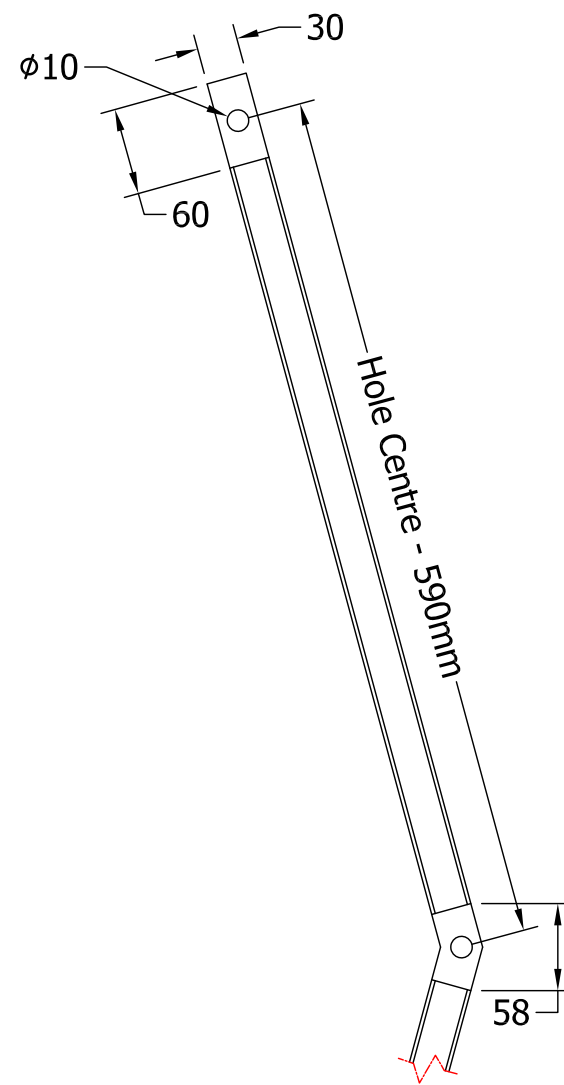
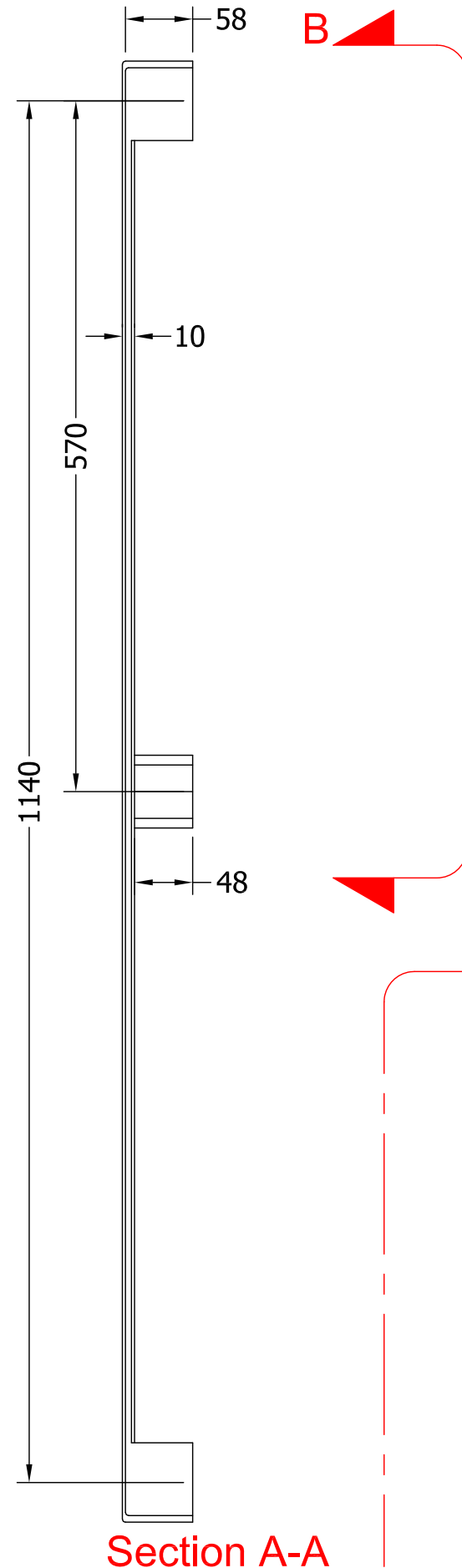
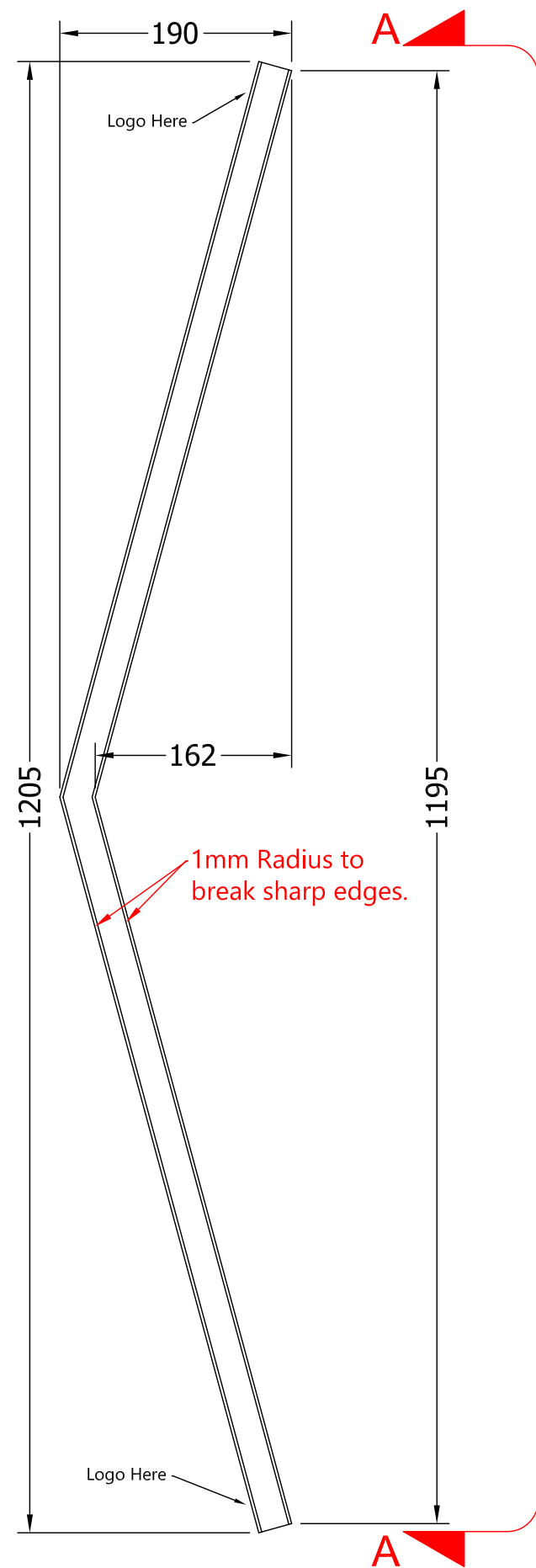
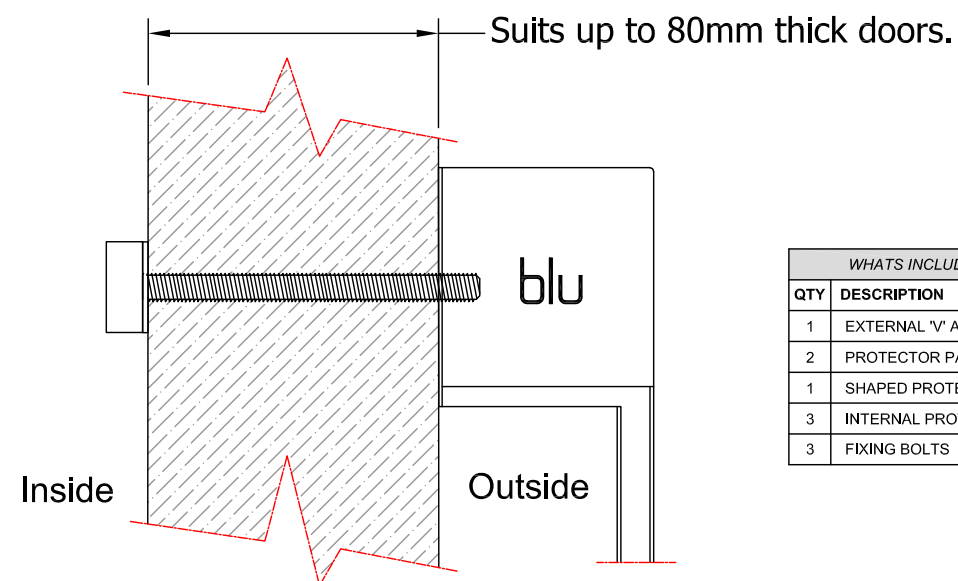
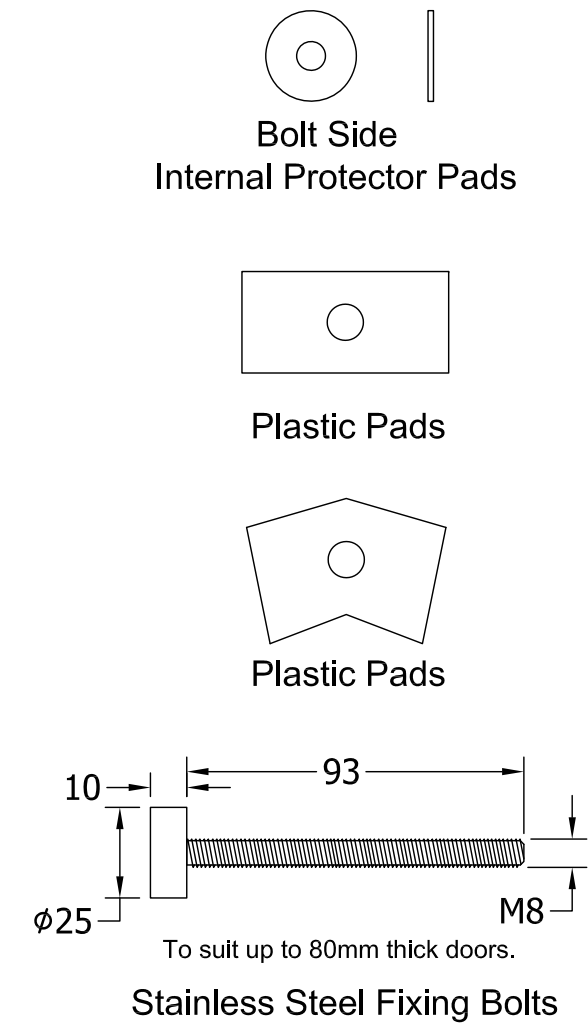


Revision History				
Revision	Description	Drawn By	Date	Approved By
A	Released	PW	05/12/19	BD



Section B-B



Assembled View (Bolt Fix)

WHATS INCLUDED IN THE BOX	
QTY	DESCRIPTION
1	EXTERNAL 'V' ANGLE BAR PULL HANDLE
2	PROTECTOR PADS
1	SHAPED PROTECTOR PADS
3	INTERNAL PROTECTOR PADS
3	FIXING BOLTS

**blu** Performance in Motion  
 Global House  
 Bojea Industrial Estate  
 Trethowel, St Austell  
 Cornwall, PL25 5RJ  
 t | 01726 871025 f | 01726 871731  
 e | sales@blu-performance.com  
 w | www.blu-performance.com

Customer Reference:	
<b>blu Performance</b>	
Drawing Title: <b>1200mm 'V' Angle Bar Pull Handle Bolt Fixing</b>	
Product Range / Project Reference <b>HAB9-1200-BF-SSS</b>	
Other Information: Suits up to door thickness of 75mm.	
Date Drawn: 05/12/2019	
Drawn By: Phil Walklett	
Drawing Number: <b>BP-HAB9-1200-BF-SSS.dwg</b>	Revision: <b>A</b>
THIRD ANGLE PROJECTION	This drawing and specification are the property of Coastal Group, they are issued in strict confidence and shall not be reproduced, copied or used without written permission.
Scale: NONE	Sheet: 1 of 1