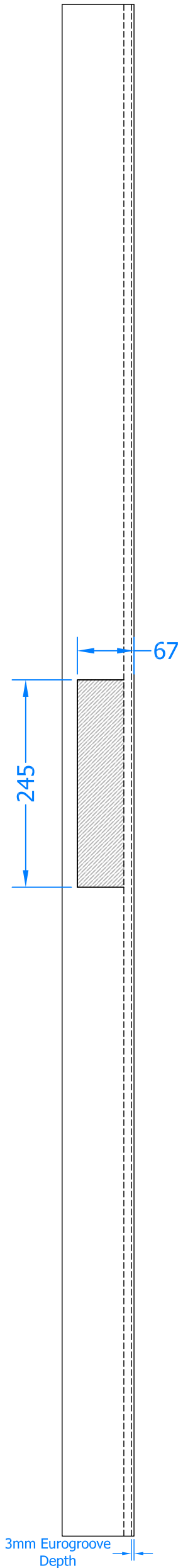
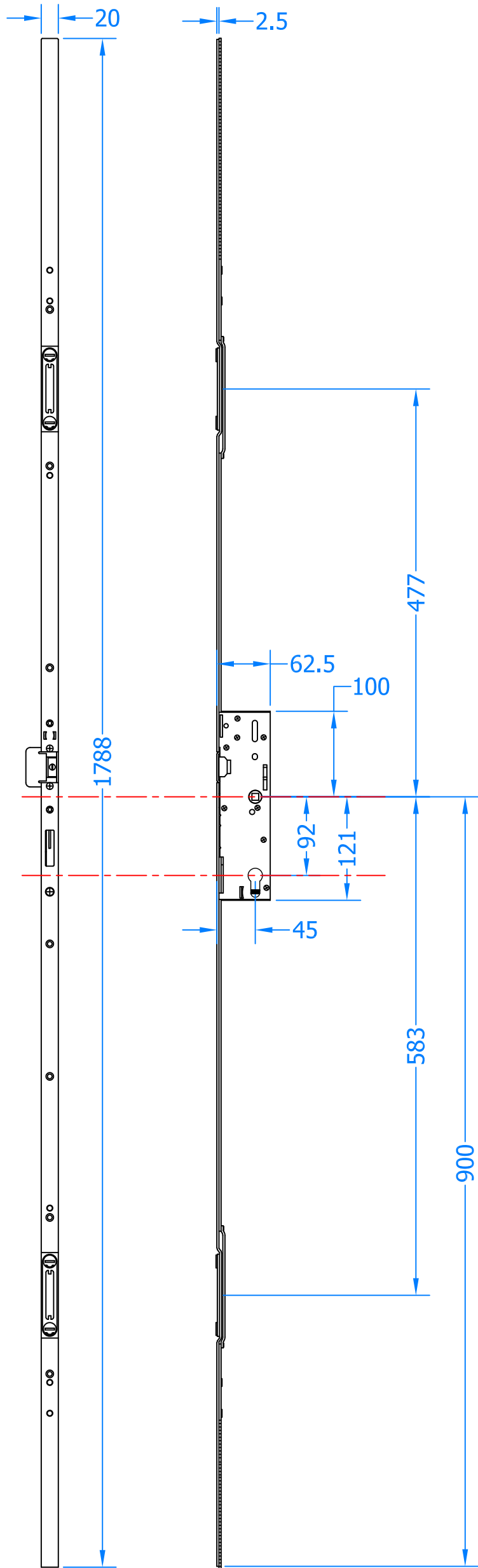


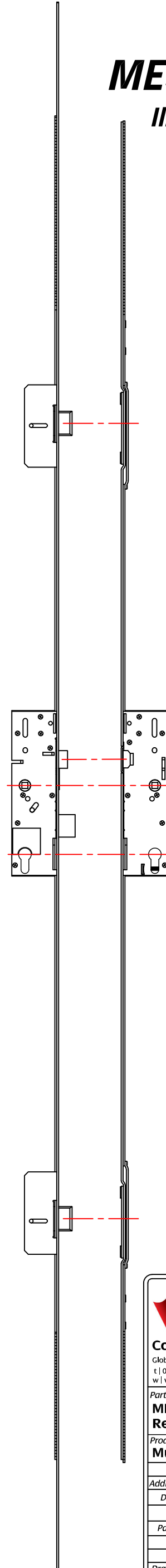
REVISION HISTORY			
Revision	Description	Drawn	Date
A	Release	PW	10/12/19

# Router Prep



# ME4 & ME6

Illustration Only



**Innovating & Upgrading the Style, Performance & Longevity of External Doors & Windows Globally.**

**Coastal Specialist Ironmongery Ltd.**  
 Global House, Bojea Industrial Estate, Trethowel, St Austell, PL25 5RJ  
 t | 01726 871725 - f | 01726 871731 - e | sales@coastal-group.com  
 w | www.coastal-group.com

Part Number / Drawing Title:  
**ME6-SS**  
**Retto Multipoint Slave Door Lock**

Product Range:  
**Multipoint Door Locks**

Material: **Stainless Steel 430**

Additional Info: **Non Handed (Universal Latch Release)**

Date Drawn: **10/12/2019**

Drawn By: **Phil Walklett**

Part Number: **ME6-SS**

File Name: **CG-ME6-SS.dwg**

Revision: **A**

Drawing Scale: **Not to Scale**

Sheet Number: **1 of 1**

THIRD ANGLE PROJECTION

*This drawing and specification are the property of Coastal, they are issued in strict confidence and shall not be reproduced, copied or used without written permission.*