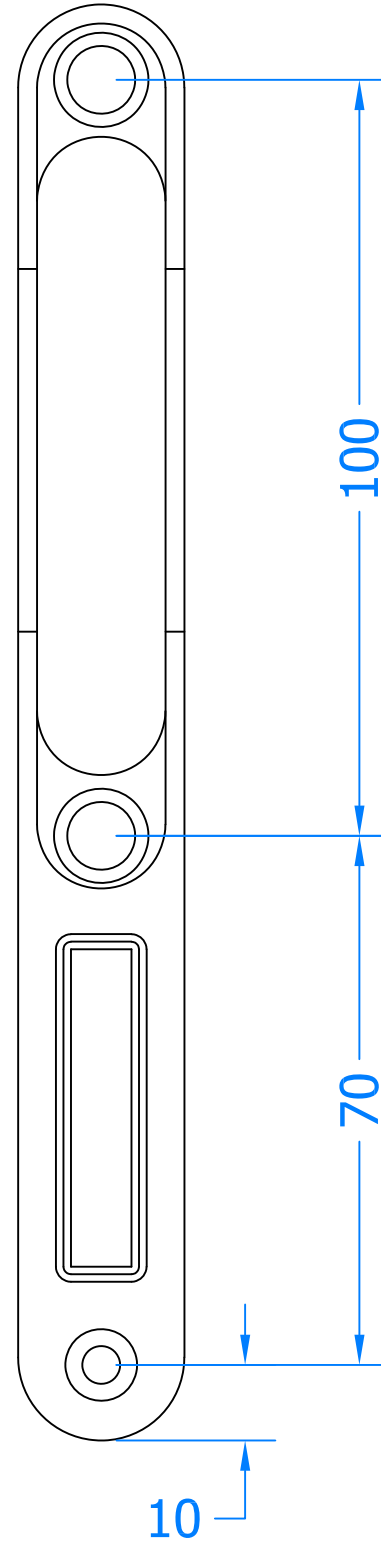
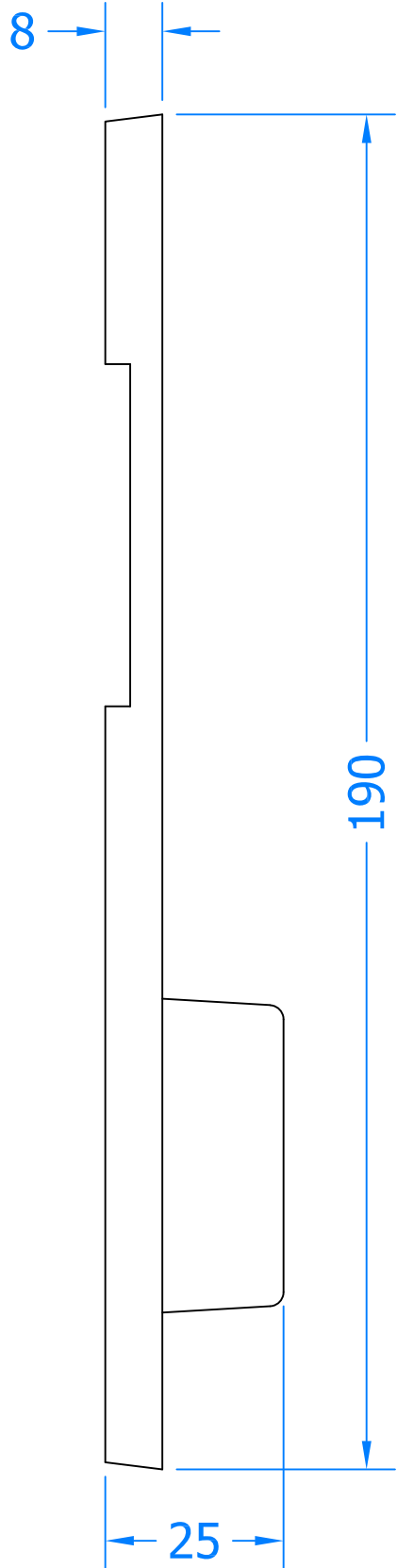


REVISION HISTORY

Revision	Description	Drawn	Date
A	Release	PW	11/12/19



Innovating & Upgrading the Style, Performance & Longevity of External Doors & Windows Globally.

Coastal Specialist Ironmongery Ltd.
Global House, Bojea Industrial Estate, Trethowel, St Austell, PL25 5RJ
t | 01726 871725 - f | 01726 871731 - e | sales@coastal-group.com
w | www.coastal-group.com

Part Number / Drawing Title:
**ME9-B-SV
Zehn Centre Keep Base**

Product Range:
Multipoint Door Locks

Material:

Additional Info:

Date Drawn: 11/12/2019

Drawn By: Phil Walklett

Part Number: ME9-B-SV

File Name: CG-ME9-B-SV.dwg

Revision: A

Drawing Scale: 1:1 @ A3

Sheet Number: 1 of 1

THIRD ANGLE PROJECTION

This drawing and specification are the property of Coastal, they are issued in strict confidence and shall not be reproduced, copied or used without written permission.