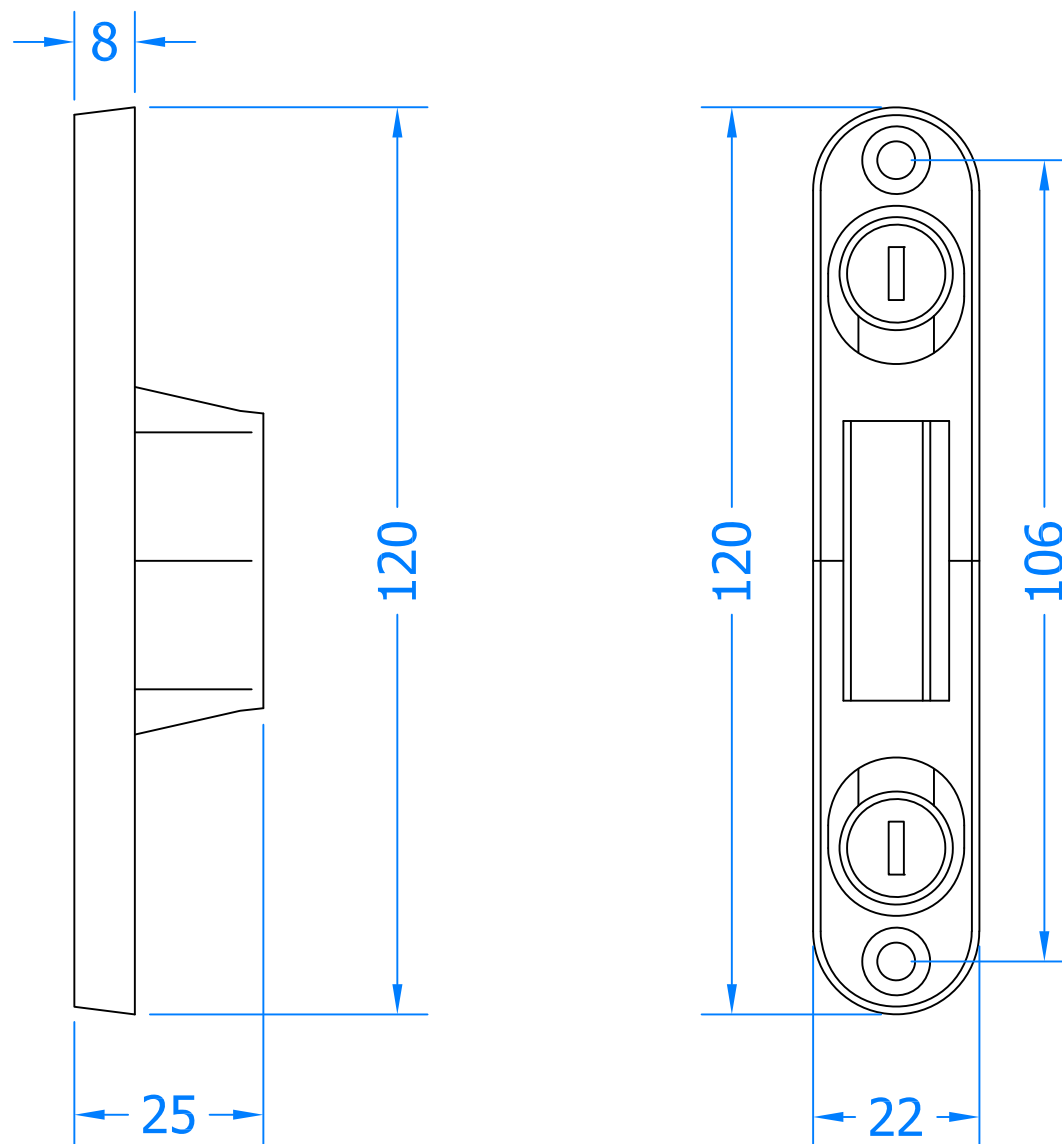


REVISION HISTORY

Revision	Description	Drawn	Date
A	Release	PW	11/12/19



 *Innovating & Upgrading the Style,
Performance & Longevity of
External Doors & Windows Globally.*

Coastal Specialist Ironmongery Ltd.

Global House, Bojea Industrial Estate, Trethowel, St Austell, PL25 5RJ
t | 01726 871725 - f | 01726 871731 - e | sales@coastal-group.com
w | www.coastal-group.com

Part Number / Drawing Title:

**MK16-SV
Double Door Shootbolt Keep**

Product Range:
Multipoint Door Locks

Material:

Additional Info:

Date Drawn: 11/12/2019

Drawn By: Phil Walklett

Part Number: MK16-SV

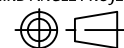
File Name: CG-MK16-SV.dwg

Revision: A

Drawing Scale: 1:1 @ A3

Sheet Number: 1 of 1

THIRD ANGLE PROJECTION



This drawing and specification are the property of Coastal, they are issued in strict confidence and shall not be reproduced, copied or used without written permission.