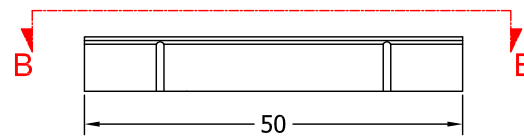
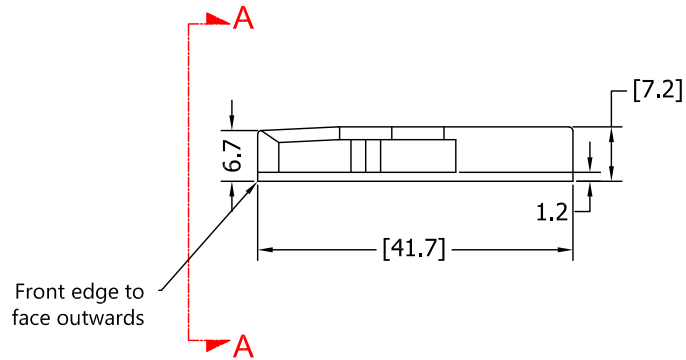
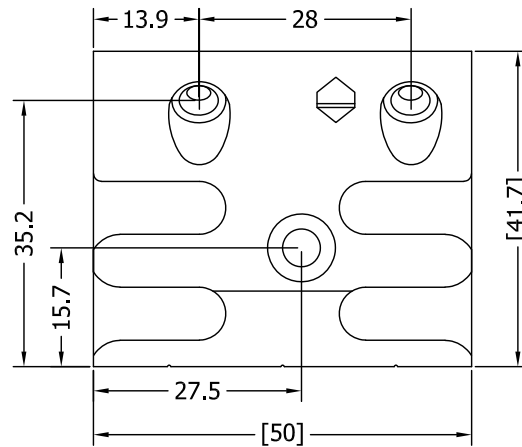


REVISIONS

Revision	Description	Drawn By	Date
A	Released	PW	12/12/19



Section A-A



Section B-B

Global House, Bojea Industrial Estate, Trethowel, St Austell, PL25 5RJ
 telephone | 01726 871724 - fax | 01726 871731
 email | sales@coastal-group.com - web | www.coastal-group.com

Drawing Reference:
Coastal Group
 Drawing Title:
EBSK-40 Keep
40mm Keep
 Product Range:
Espagnolette Bolt Keeps

Additional Info: For Mushroom Type Bolts
 Date Drawn: 12/12/2019
 Drawn By: Phil Walklett
 Part Number: EBSK-40
 File Name: CG-EBSK-40.dwg
 Revision: A
 Drawing Scale: 1:1 @ A4
 Sheet Number: 1 of 1

THIRD ANGLE PROJECTION

This drawing and specification are the property of Coastal Group, they are issued in strict confidence and shall not be reproduced, copied or used without written permission.