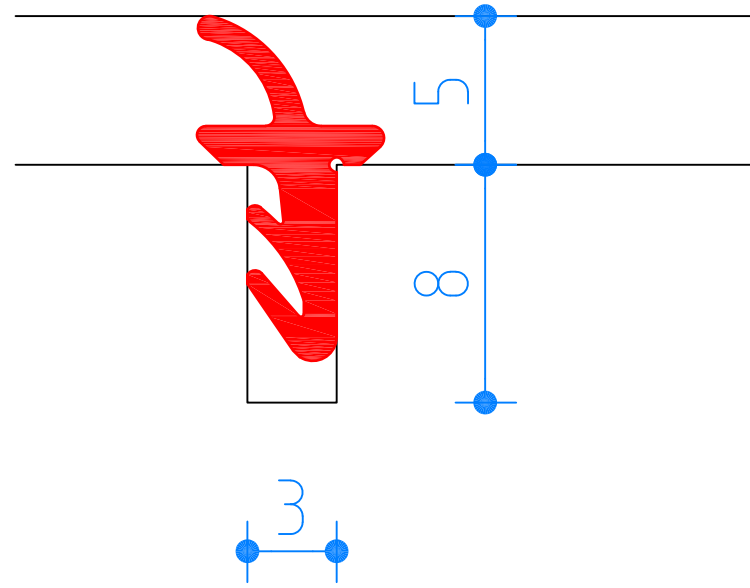
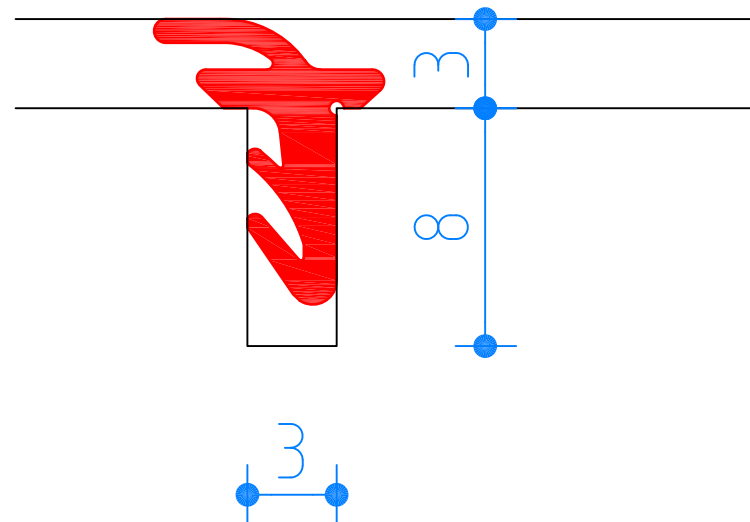
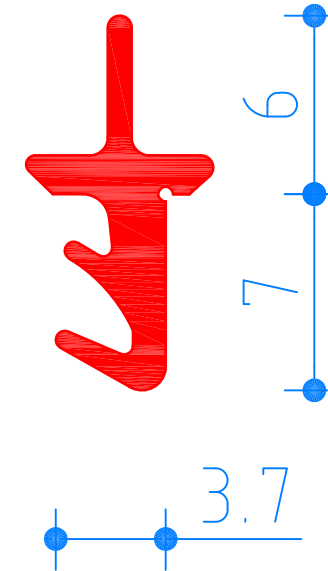
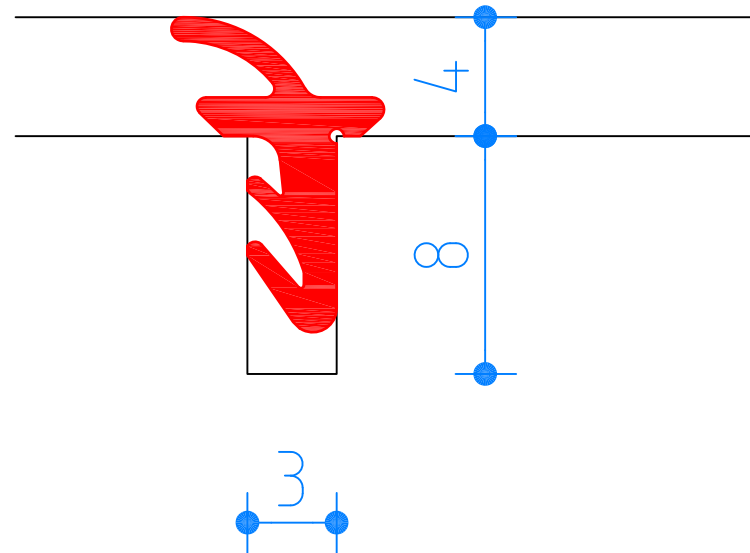


REVISION HISTORY

Revision	Description	Drawn	Date
A	Release	PW	10/01/20



SV 60



Innovating & Upgrading the Style, Performance & Longevity of External Doors & Windows Globally.

Coastal Specialist Ironmongery Ltd.

Global House, Bojea Industrial Estate, Trethowel, St Austell, PL25 5RJ
 t | 01726 871725 - f | 01726 871731 - e | sales@coastal-group.com
 w | www.coastal-group.com

Part Number / Drawing Title:

**SV60
Flipper Gasket**

Product Range:
Tapes & Weatherseals

Material:

Additional Info:

Date Drawn: 10/01/2020

Drawn By: Phil Walklett

Part Number: SV60

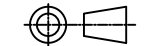
File Name: CG-SV60.dwg

Revision: A

Drawing Scale: Not to Scale

Sheet Number: 1 of 1

THIRD ANGLE PROJECTION



This drawing and specification are the property of Coastal, they are issued in strict confidence and shall not be reproduced, copied or used without written permission.