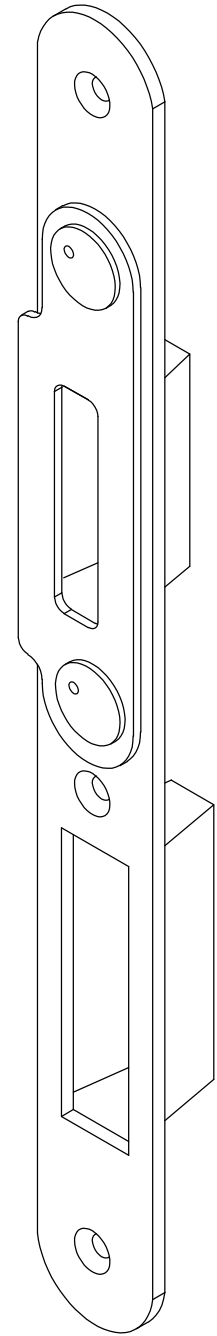
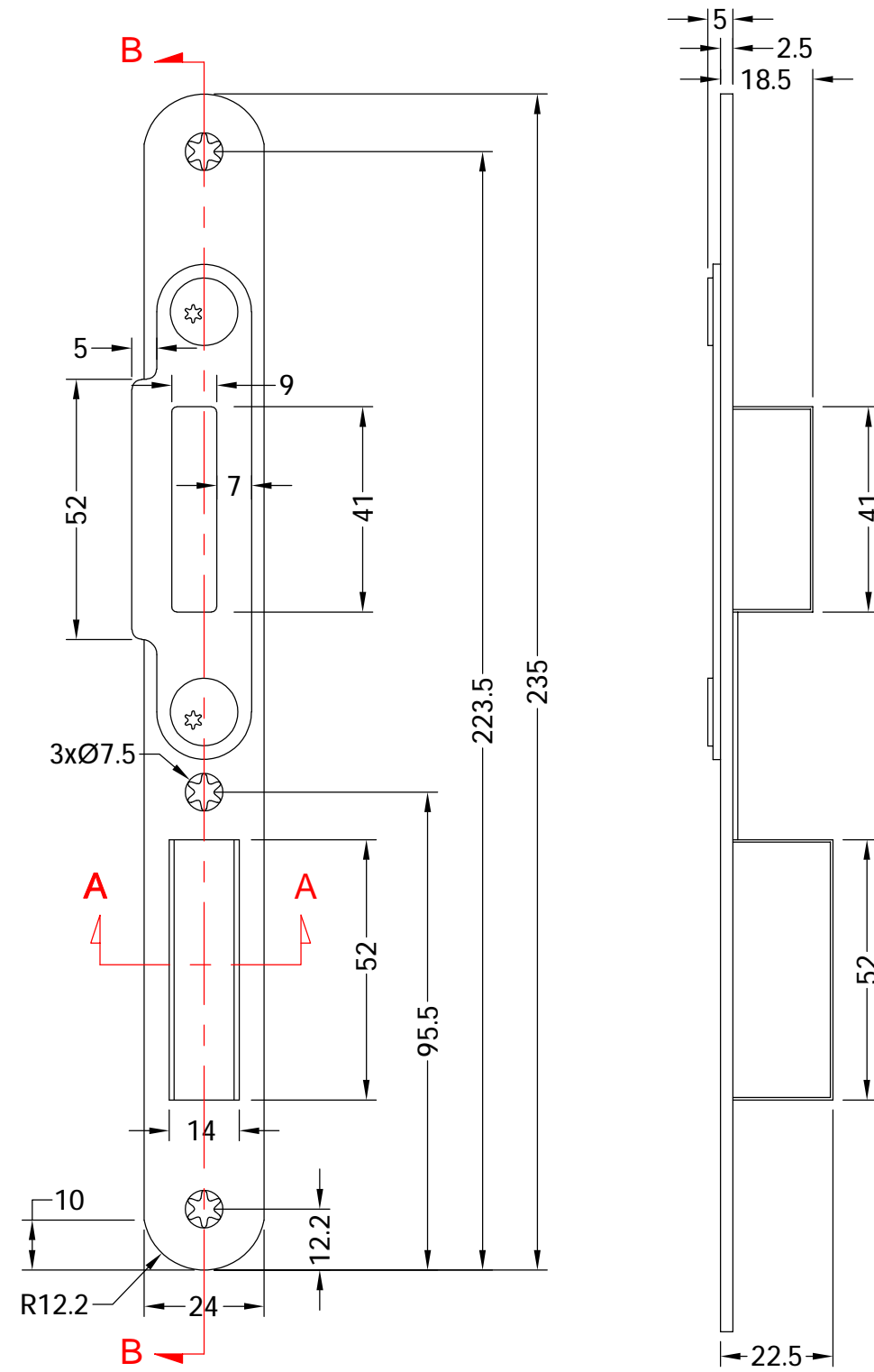


This drawing and specification are the property of the Coastal Group. They are issued in strict confidence and shall not be reproduced, copied or used without written permission.

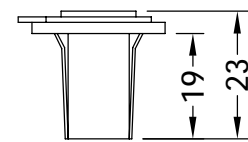
Revision History			
Revision	Description	Drawn By	Date
A	Released	PW	4/8/17



Isometric View

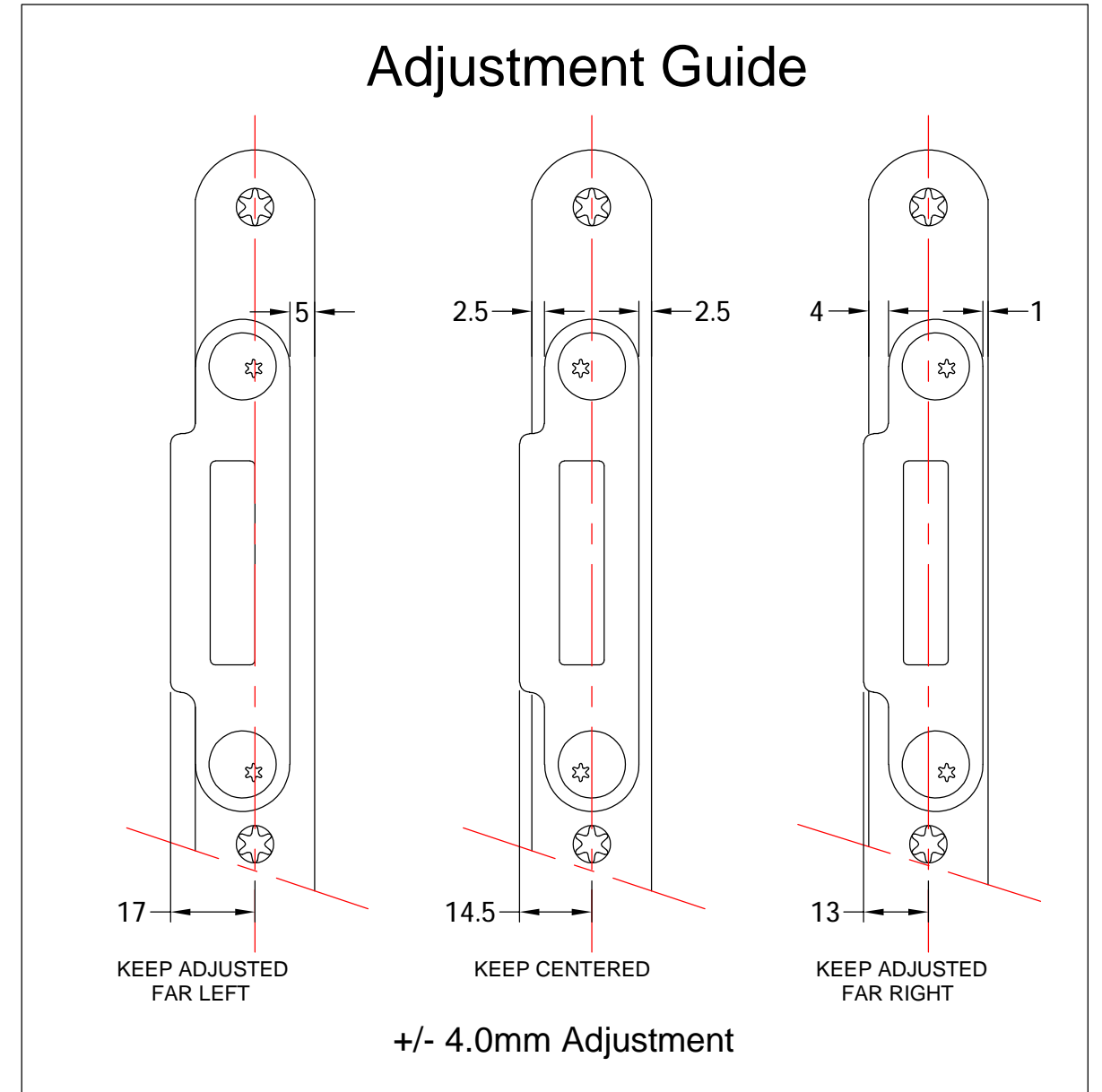


SECTION B-B



SECTION A-A

Left Hand Shown, Right Hand Opposite.



Global House, Bojea Industrial Estate, Trethowel, St Austell, PL25 5RJ
 telephone | 01726 871724 - fax | 01726 871731
 email | sales@coastal-group.com - web | www.coastal-group.com

Coastal Group
 Drawing Title: **MK9-12-SV**
Centre Keep, 12mm Centre Line
 Product Range: **Standard Adjustable Centre Keeps**
 Additional Info: **Left Hand Shown, Right Hand Opposite**
 Date Drawn: **08/08/2017**
 Drawn By: **Phil Walklett**
 Part Number: **MK9-12-SV**
 File Name: **CG-MK9-12-SV.dwg**
 Revision: **A**
 Drawing Scale: **NONE**
 Sheet Number: **1 of 1**

THIRD ANGLE PROJECTION

This drawing and specification are the property of Coastal Group, they are issued in strict confidence and shall not be reproduced, copied or used without written permission.