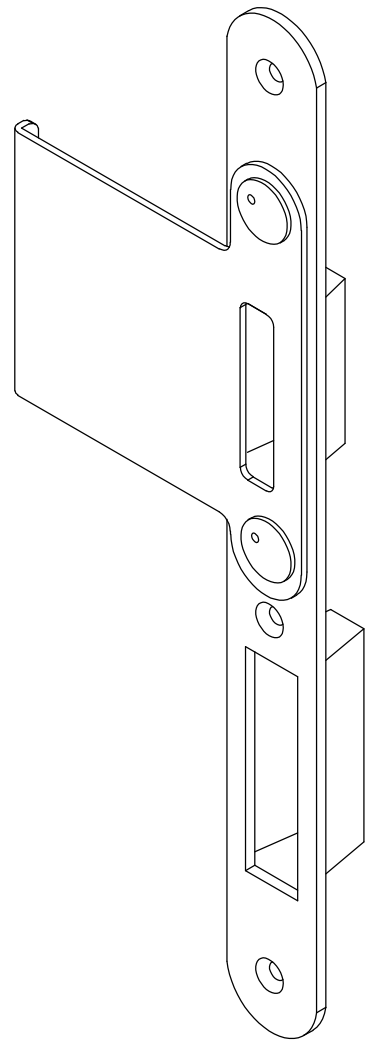
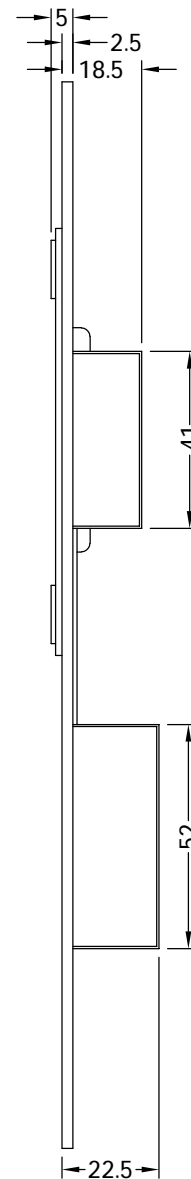
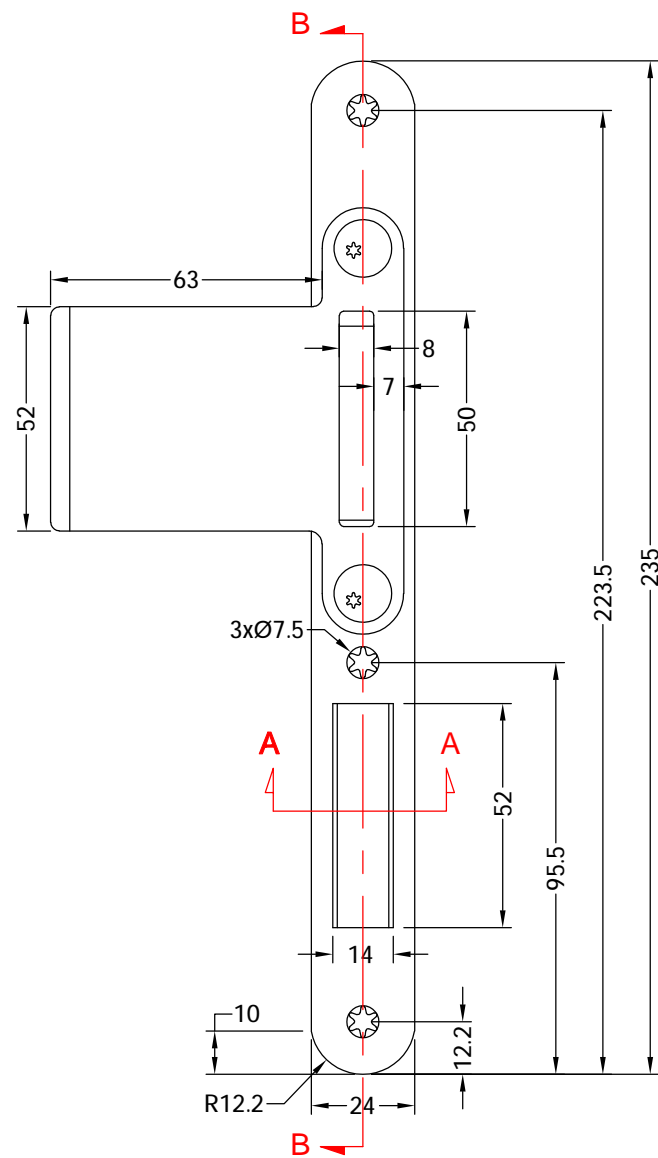


This drawing and specification are the property of the Coastal Group. They are issued in strict confidence and shall not be reproduced, copied or used without written permission.

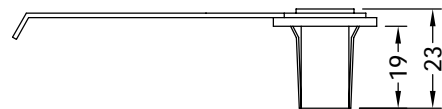
| Revision History | | | |
|------------------|-------------|----------|--------|
| Revision | Description | Drawn By | Date |
| A | Released | PW | 4/8/17 |



Isometric View

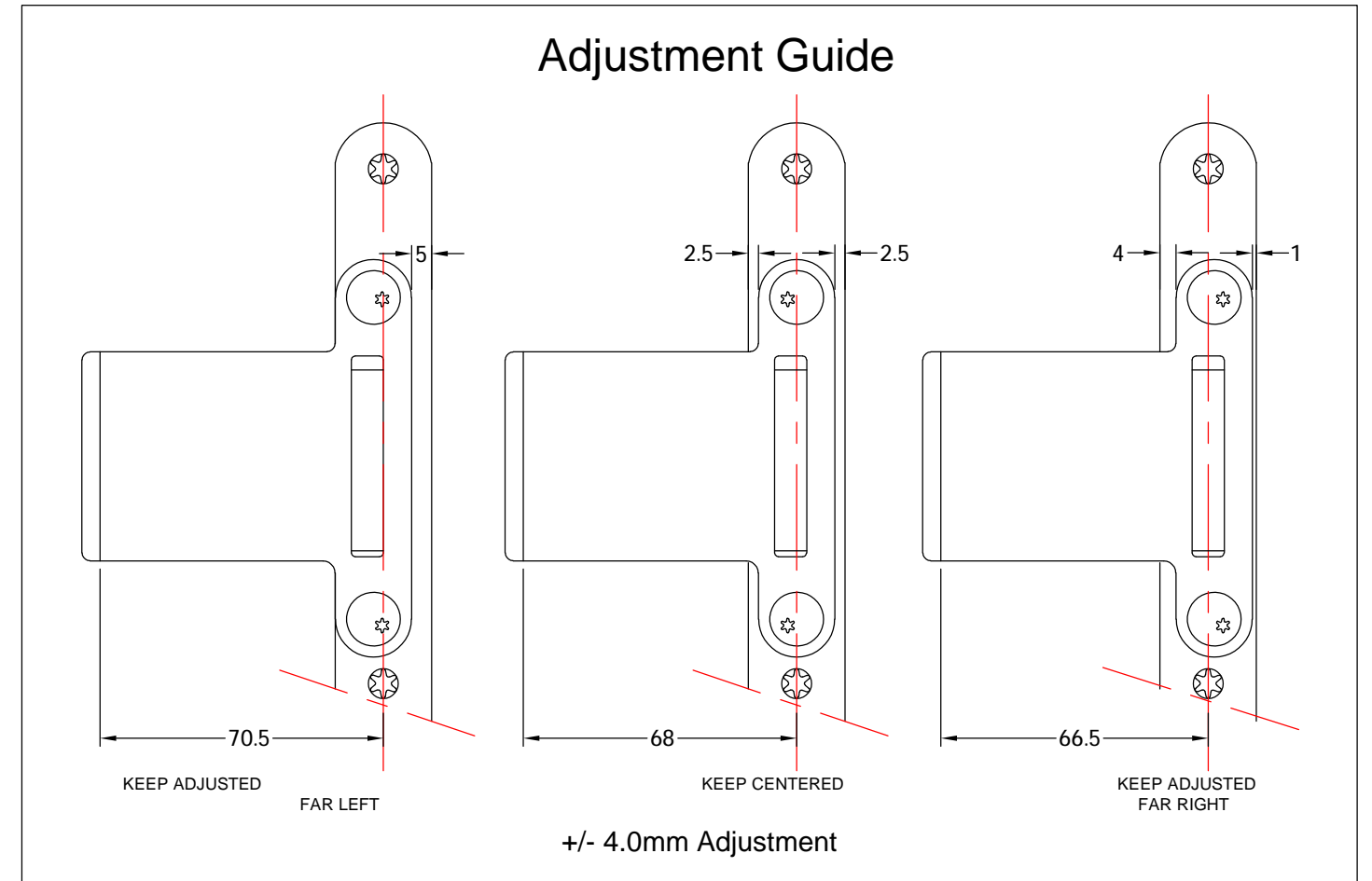


SECTION B-B



SECTION A-A

Left Hand Shown, Right Hand Opposite.



COASTAL GROUP
innovating & capturing the spirit, performance & integrity of engineering & installation globally

Global House, Bojea Industrial Estate, Trethowel, St Austell, PL25 5RJ
 telephone | 01726 871724 - fax | 01726 871731
 email | sales@coastal-group.com - web | www.coastal-group.com

Drawing Reference:
Coastal Group
 Drawing Title:
MK9-70-SV
Centre Keep, 70mm Centre Line
 Product Range:
Standard Adjustable Centre Keeps
 Additional Info:
 Left Hand Shown, Right Hand Opposite
 Date Drawn: 08/08/2017
 Drawn By: Phil Walklett
 Part Number: MK9-70-SV
 File Name: CG-MK9-70-SV.dwg
 Revision: A
 Drawing Scale: NONE
 Sheet Number: 1 of 1

THIRD ANGLE PROJECTION
 This drawing and specification are the property of Coastal Group, they are issued in strict confidence and shall not be reproduced, copied or used without written permission.