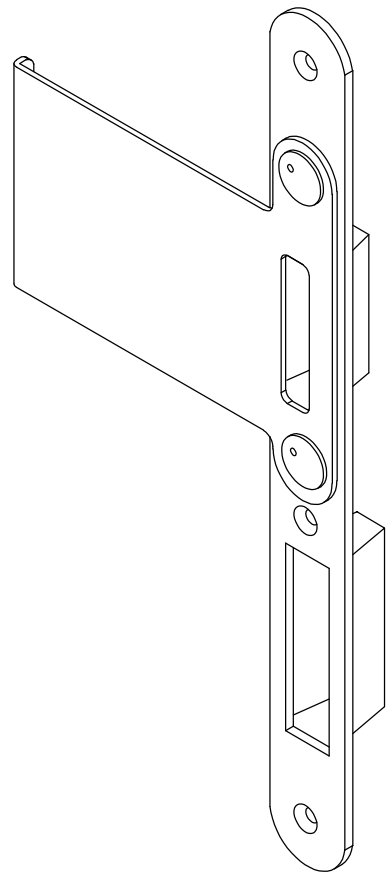


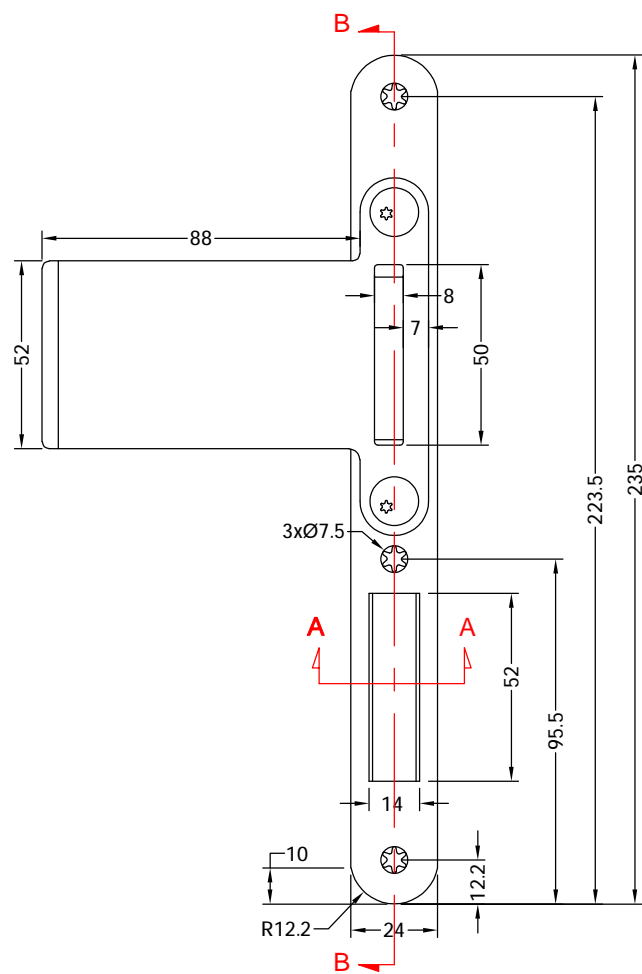
This drawing and specification are the property of the Coastal Group.  
They are issued in strict confidence and shall not be reproduced, copied or used without written permission.

### Revision History

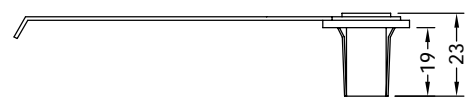
Revision	Description	Drawn By	Date
A	Released	PW	4/8/17



Isometric View

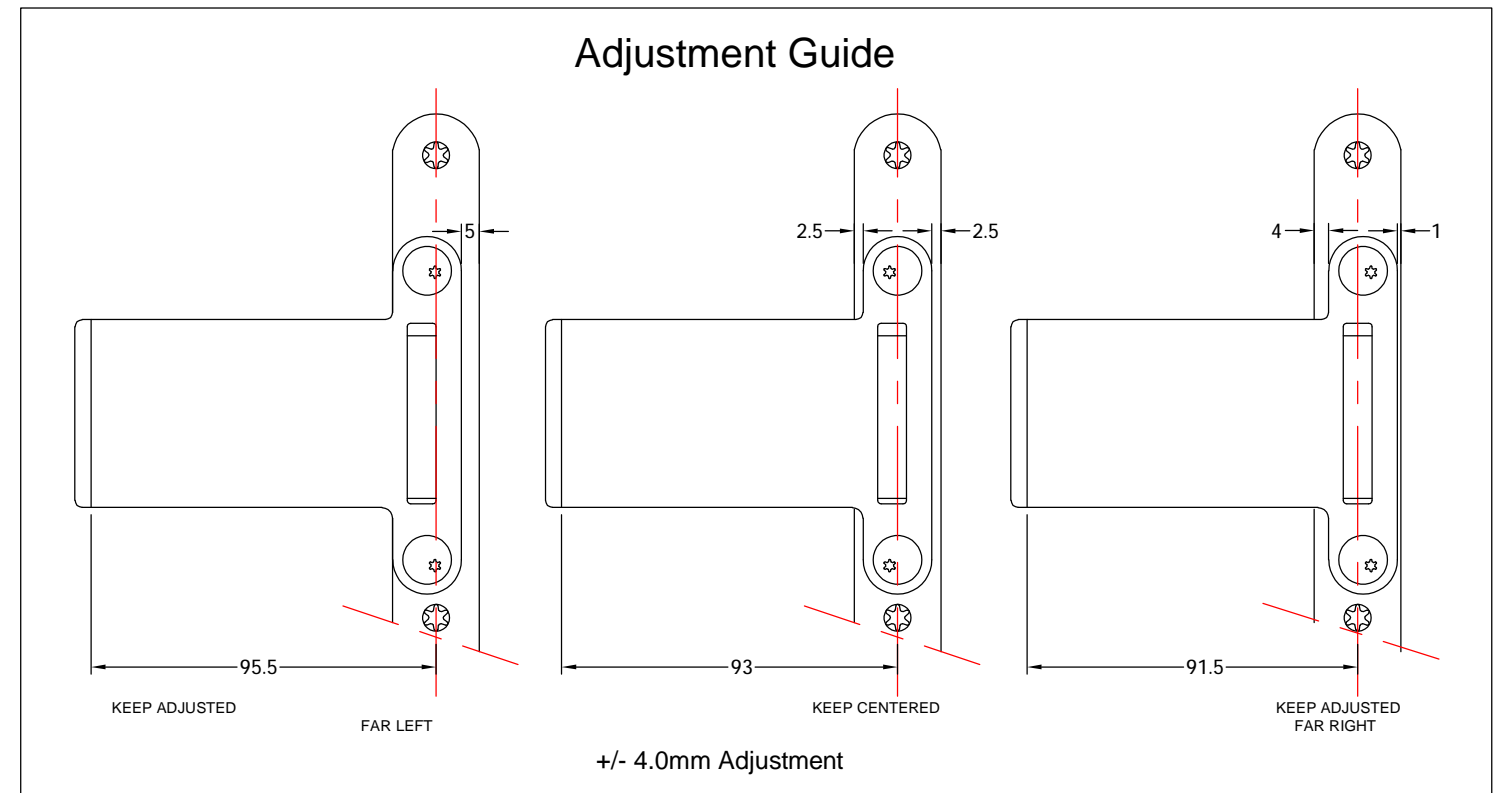


SECTION B-B



SECTION A-A

Left Hand Shown, Right Hand Opposite.




Global House, Bojea Industrial Estate, Trethowel, St Austell, PL25 5RJ  
 telephone | 01726 871724 - fax | 01726 871731  
 email | sales@coastal-group.com - web | www.coastal-group.com

**Coastal Group**  
 Drawing Title:  
**MK9-95-SV**  
**Centre Keep, 95mm Centre Line**

Product Range:  
**Standard Adjustable Centre Keeps**

Additional Info:  
 Left Hand Shown, Right Hand Opposite

Date Drawn: 08/08/2017  
 Drawn By: Phil Walklett  
 Part Number: MK9-95-SV  
 File Name: CG-MK9-95-SV.dwg  
 Revision: A  
 Drawing Scale: NONE  
 Sheet Number: 1 of 1

THIRD ANGLE PROJECTION  This drawing and specification are the property of Coastal Group, they are issued in strict confidence and shall not be reproduced, copied or used without written permission.