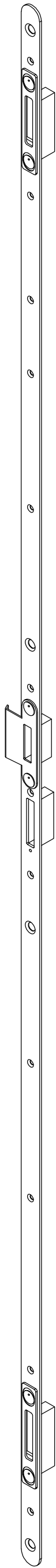
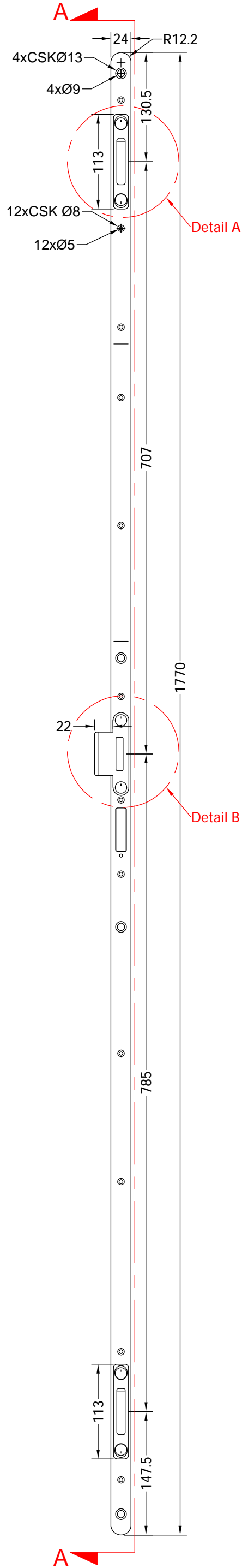


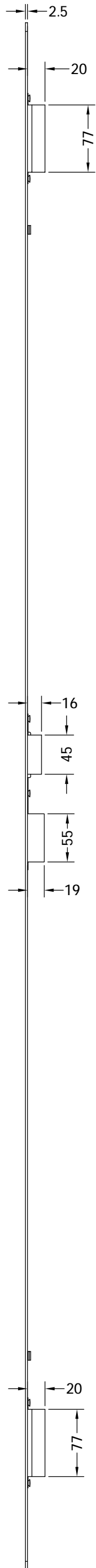
Revision History			
Revision	Description	Drawn By	Date
A	Released	PW	9/8/17



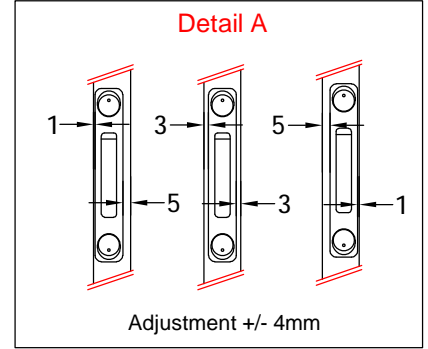
Isometric View



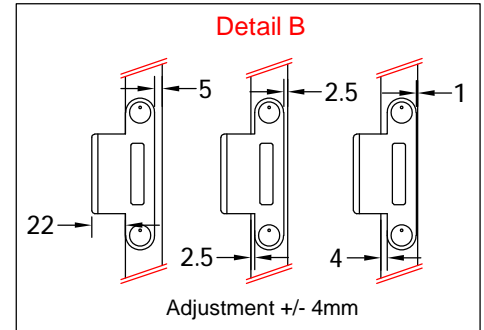
A



Section A-A



Left Hand Shown, Right Hand Opposite



Drawing Reference:	
Coastal Group	
Drawing Title:	
MK28-2-SV	
One Piece Radiused End Keep	
Product Range:	
One Piece Surface Adjustable Keeps	
Additional Info:	24mm Faceplate Left Hand Shown, Right Hand Opposite
Date Drawn:	09/08/2017
Drawn By:	Phil Walklett
Part Number:	MK28-2-SV
File Name:	CG-MK28-2-SV.dwg
Revision:	A
Drawing Scale:	NONE
Sheet Number:	1 of 1
THIRD ANGLE PROJECTION	This drawing and specification are the property of Coastal Group, they are issued in strict confidence and shall not be reproduced, copied or used without written permission.