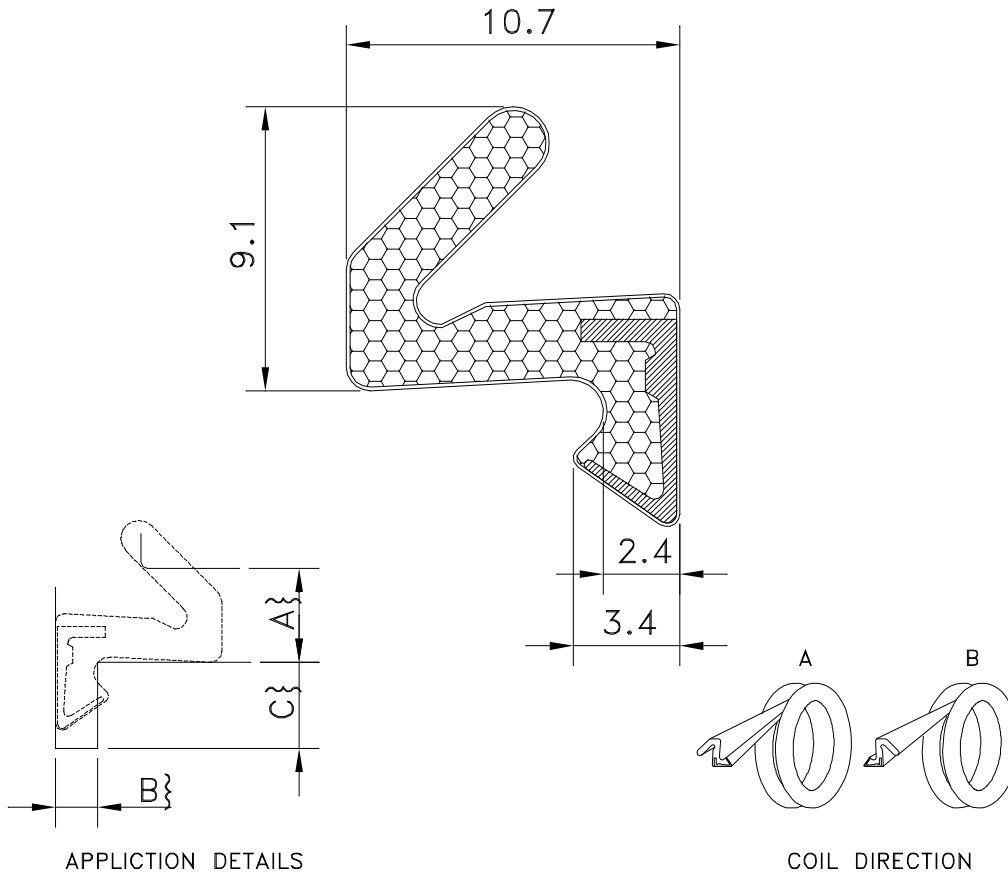


# AQUAMAC\* 21



## TECHNICAL SPECIFICATION

- A, SEAL GAP. 5.0mm MIN TO 7.5mm MAX
- B, KERF SLOT WIDTH. 2.7mm NOMINAL
- C, MINIMUM KERF SLOT DEPTH 5.5mm

COLOUR	METRES/COIL	COIL DIRECTION	APPLICATION
WHITE	250	A	WEATHERSEAL
BLACK	250	A	WEATHERSEAL
LIGHT OAK	250	A	WEATHERSEAL
BRONZE	250	A	WEATHERSEAL

60254-08



BS7386 : 1990  
Licence NO. KM  
30928



Certification No.  
FM 15052