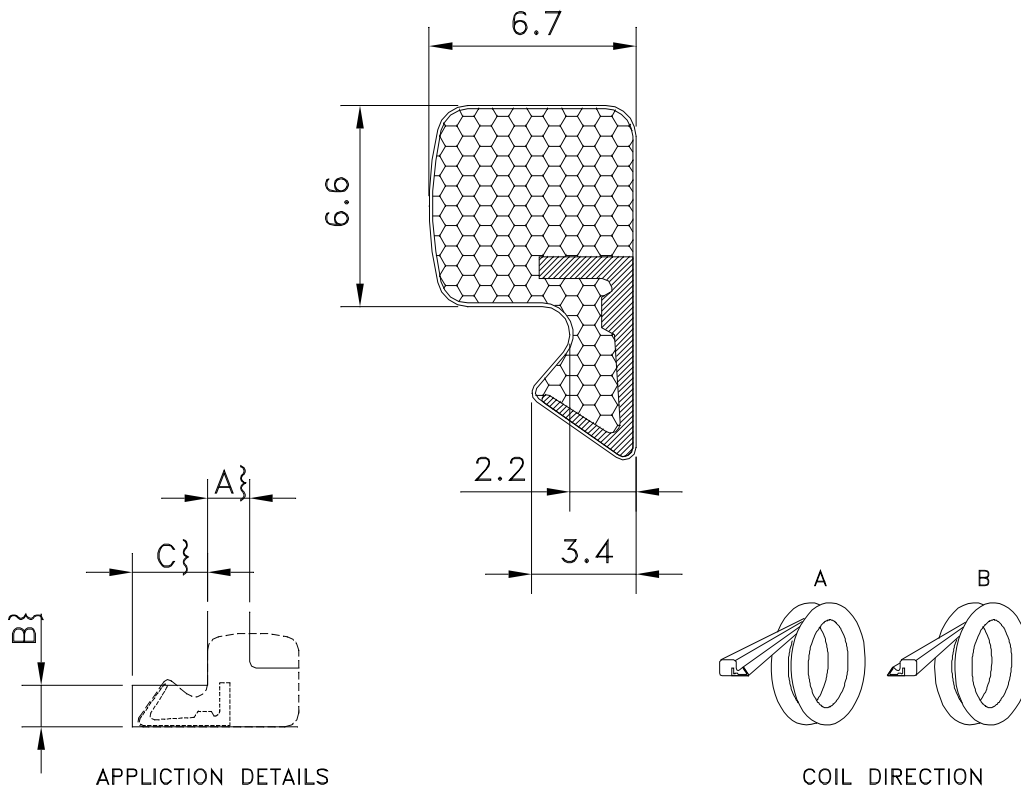


AQUAMAC* 63



TECHNICAL SPECIFICATION

- A, SEAL GAP. 3.4mm MIN TO 5.4mm MAX
- B, KERF SLOT WIDTH. 2.7mm NOMINAL
- C, MINIMUM KERF SLOT DEPTH 5.5mm

COLOUR	METRES/COIL	COIL DIRECTION	APPLICATION
WHITE	100	A	WEATHERSEAL
BRONZE	100	A	WEATHERSEAL
BLACK	100	A	WEATHERSEAL
WHITE	300	A	WEATHERSEAL
BRONZE	300	A	WEATHERSEAL

60264-0B



BS7386 : 1990
Licence NO. KM
30928



Certification No.
FM 15052