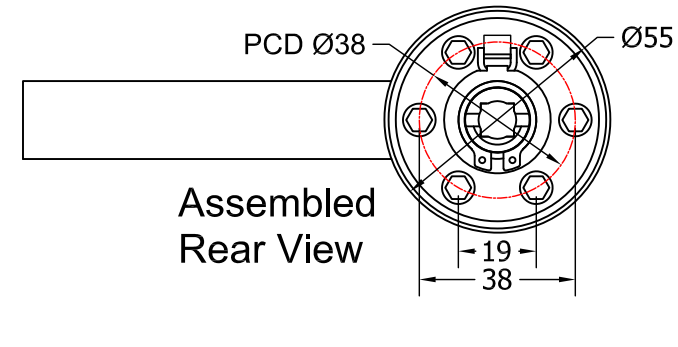
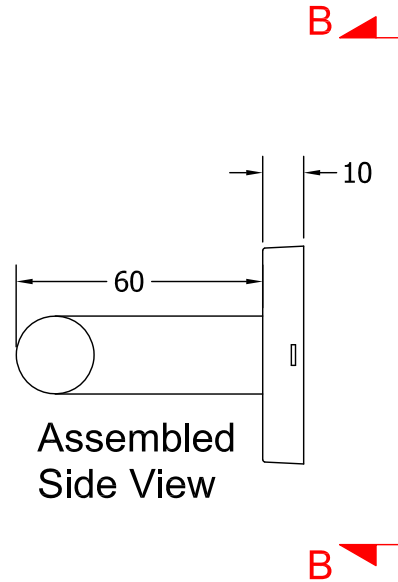
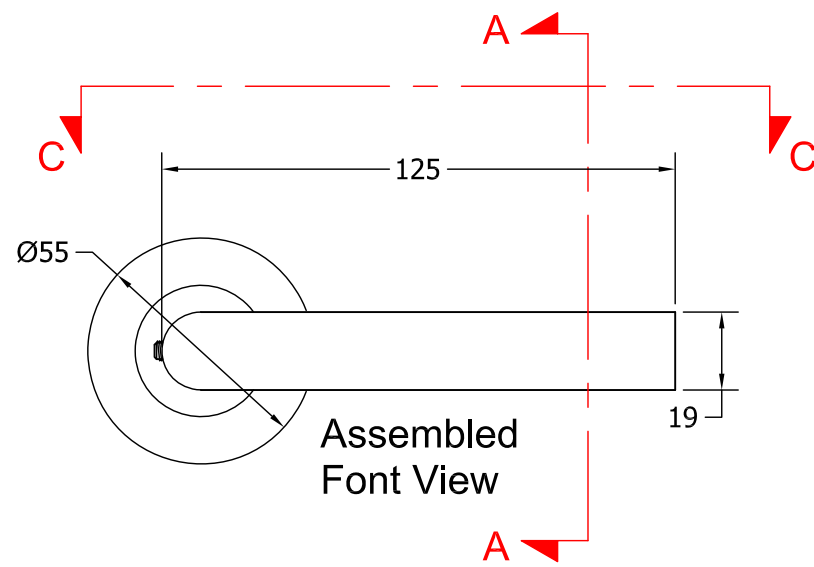


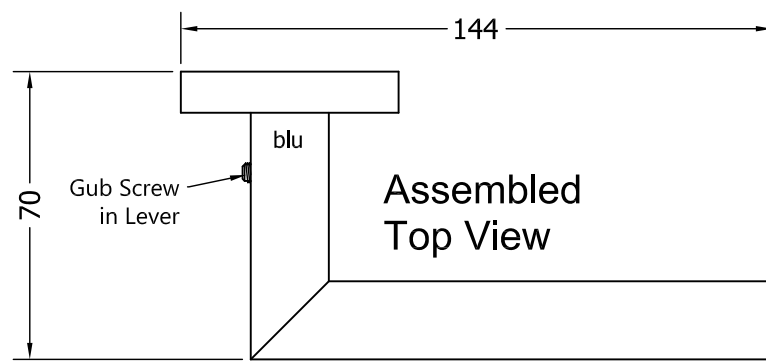
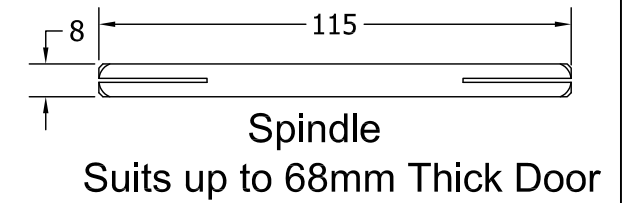
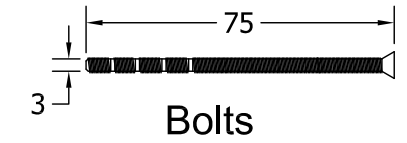
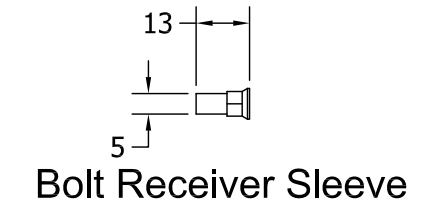
While every attempt has been made to ensure the accuracy and completeness of the information in this document some typographical or technical errors may exist. Blu Performance cannot accept responsibility for customers' losses resulting from the use of this document. Please also note that this drawing / design is subject to change without prior notice in accordance with our policy of continual product development. This drawing / design contains proprietary information that is protected by copyright and is property of Blu Performance. Blu Performance is at the leading edge in joinery hardware, customer care and quality are at the core of everything we do, you can be confident that a call to Blu will be the only call you need for all your joinery hardware needs.

Revision History			
Revision	Description	Drawn By	Date
A	Released.	PW	11/03/20



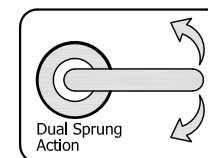
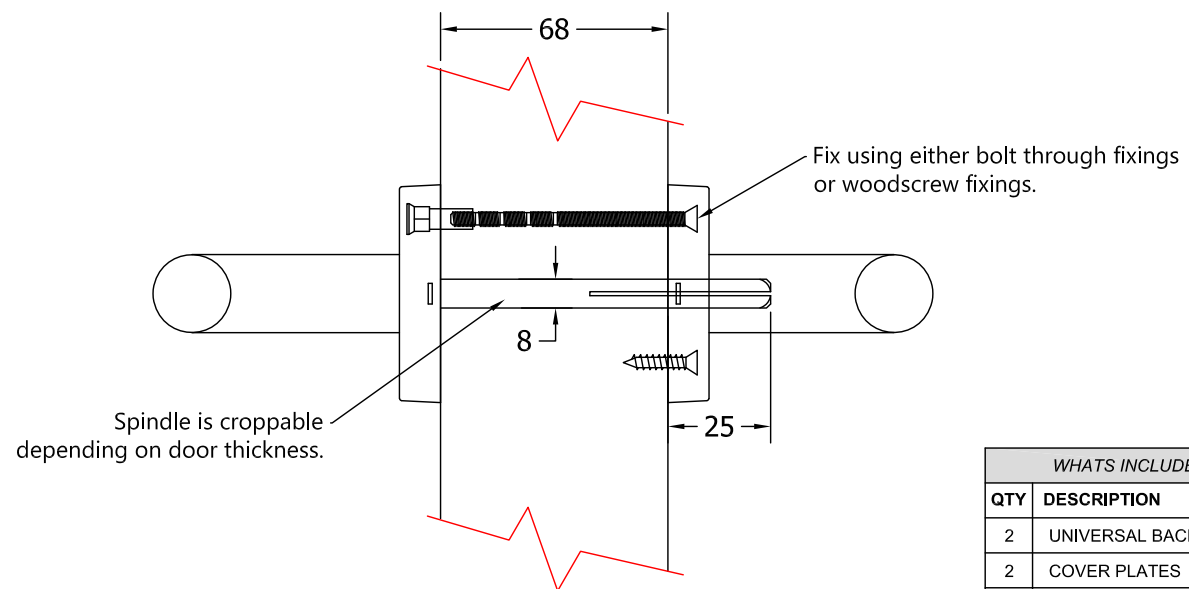
Section A-A

Section B-B



Section C-C

Assembled Side View



WHAT'S INCLUDED IN THE BOX	
QTY	DESCRIPTION
2	UNIVERSAL BACKPLATE & LEVERS
2	COVER PLATES
2	BOLT RECEIVER SLEEVE
2	75mm MACHINE SCREWS
6	20mm WOODSCREWS
1	8x8x115mm SPINDLE
1	3mm GRUB SCREW ALLEN KEY

**blu** Performance  
 Global House  
 Bojea Industrial Estate  
 Trethowel, St Austell  
 Cornwall, PL25 5RJ  
 t | 01726 871025 f | 01726 871731  
 e | sales@blu-performance.com  
 w | www.blu-performance.com

Customer Reference:

**blu Performance**

Drawing Title:  
**Mitre Lever on Rose Handle Set  
 Dual Sprung - 316 Satin Stainless Steel**

Product Range / Project Reference  
**KM060B-316-SSS**

Other Information: Will work on doors up to 68mm thick.

Date Drawn: 11/03/2020

Drawn By: Phil Walklett

Drawing Number: **BP-KM060B-316.dwg** Revision: **A**

THIRD ANGLE PROJECTION  
  
 This drawing and specification are the property of Coastal Group, they are issued in strict confidence and shall not be reproduced, copied or used without written permission.

Scale: NONE Sheet: 1 of 1