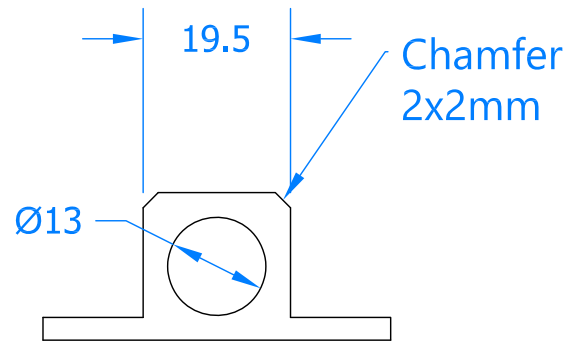
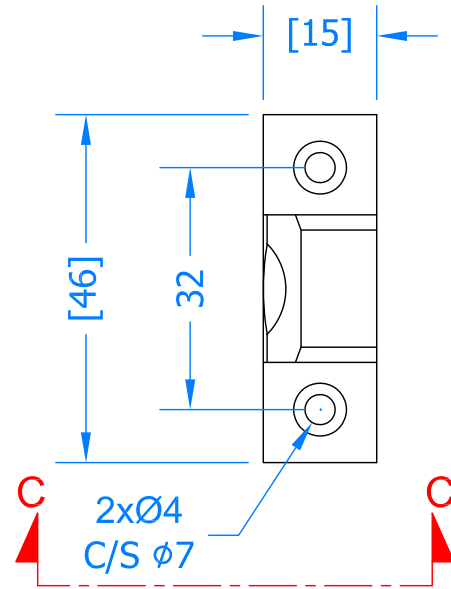
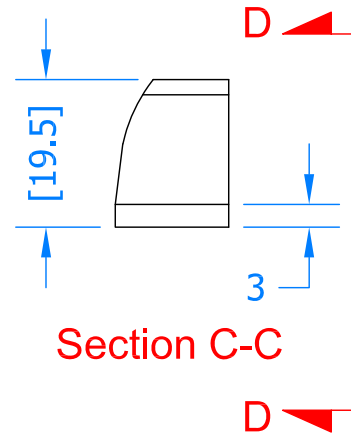


Box Keep

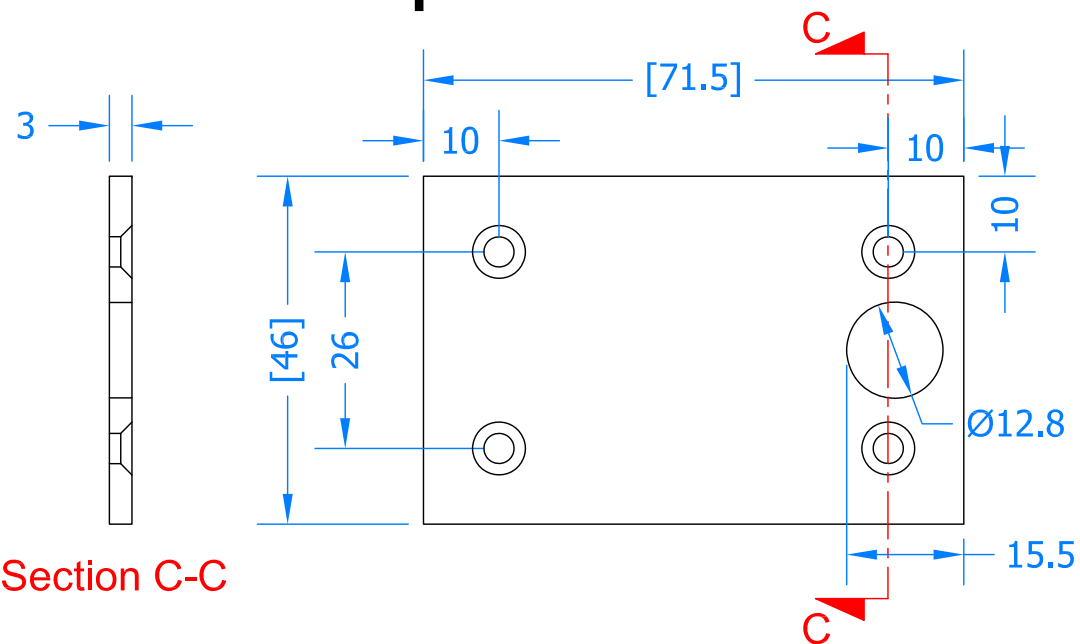


Section D-D



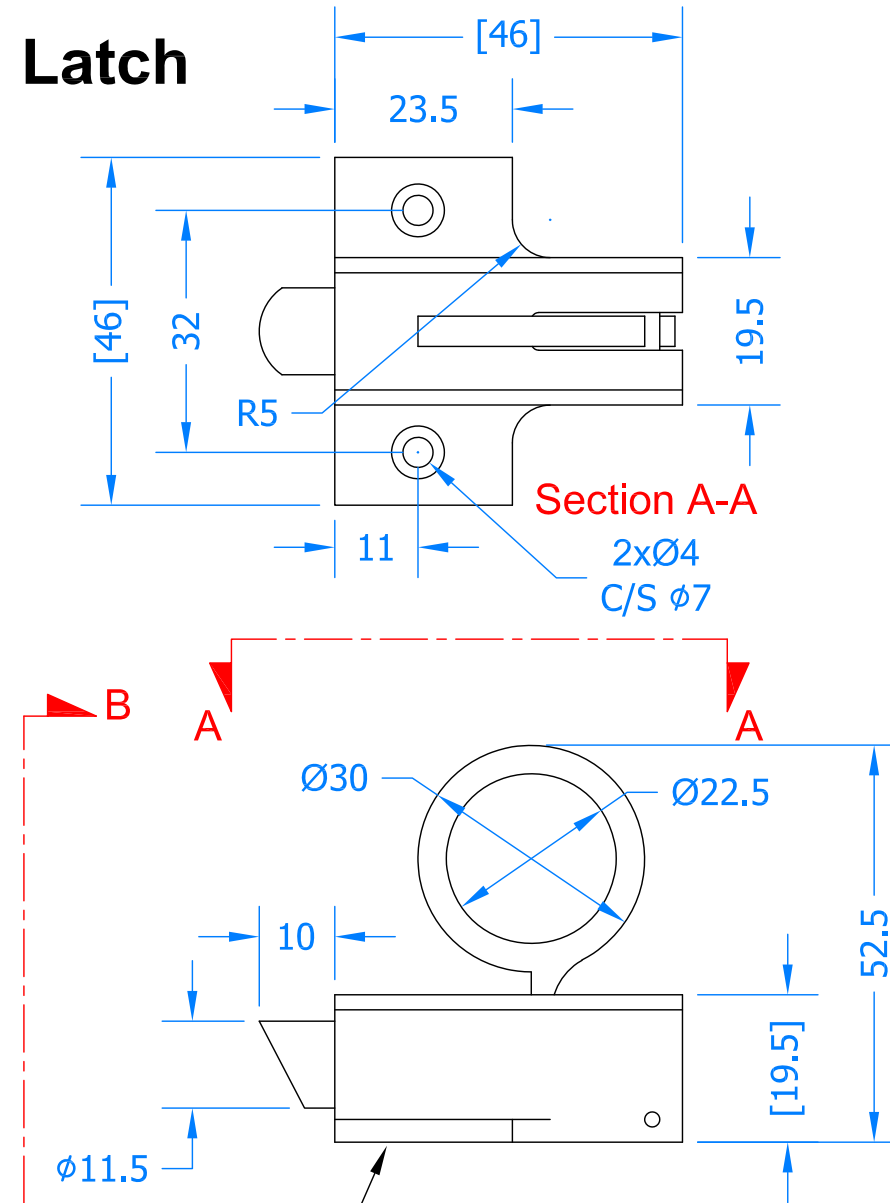
Section C-C

Flat Plate Keep



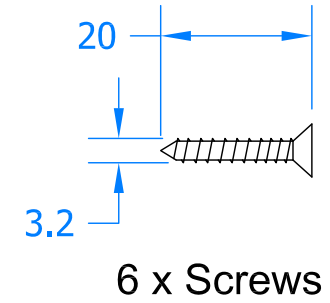
Section C-C

Latch

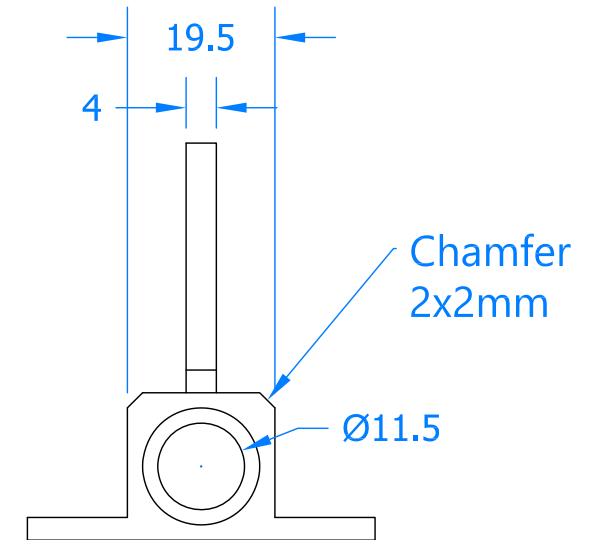


blu Logo printed underneath

Revision History				
Revision	Description	DRFT	CHK	Date
A	Release	PW	BD	24/7/17



6 x Screws



Section B-B

Global House
Bojea Industrial Estate
Trethowel, St Austell
Cornwall, PL25 5RJ

blu Performance in Motion

t | 01726 871724
f | 01726 871731
sales@blu-performance.com
www.blu-performance.com

Drawing Reference:

blu Performance

Drawing Title:
Stainless Steel Fanlight Catch with Flat Plate & Box Keep

Product Range:
Window Hardware

Additional Info:
316 Stainless Steel

Date Drawn: 24/07/2017

Drawn By: Phil Walklett

Part Number: BFC45-316-SSS

File Name: BP-BFC45-316.dwg

Revision: A

Drawing Scale: 1:1 @ A3

Sheet Number: 1 of 1

THIRD ANGLE PROJECTION

This drawing and specification are the property of Coastal Group, they are issued in strict confidence and shall not be reproduced, copied or used without written permission.