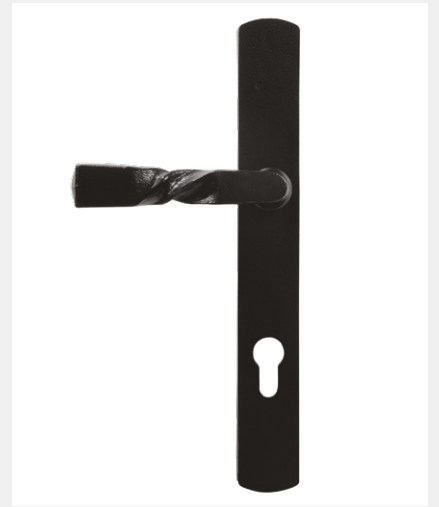


# DURATIQUE RANGE

## BARLEY TWIST ANTIQUE MULTIPOINT DOOR LOCK HANDLE

Product Code: CO7100C

LIT-DC-CO7100C



### *Stainless Steel Antique Hardware Range*

- Made from stainless steel to prevent it corroding
- Class 5 Salt Spray Tested
- Heavy duty spring cassette for a solid, dual lever action
- Durability: BS EN 12217:2003, 200,000 cycles
- Suitable for multipoint door locks
- Stainless steel fixings to match finish of handle
- Narrow backplate
- Designed & built in Britain
- Part of a suited range



HD Spring Cassette



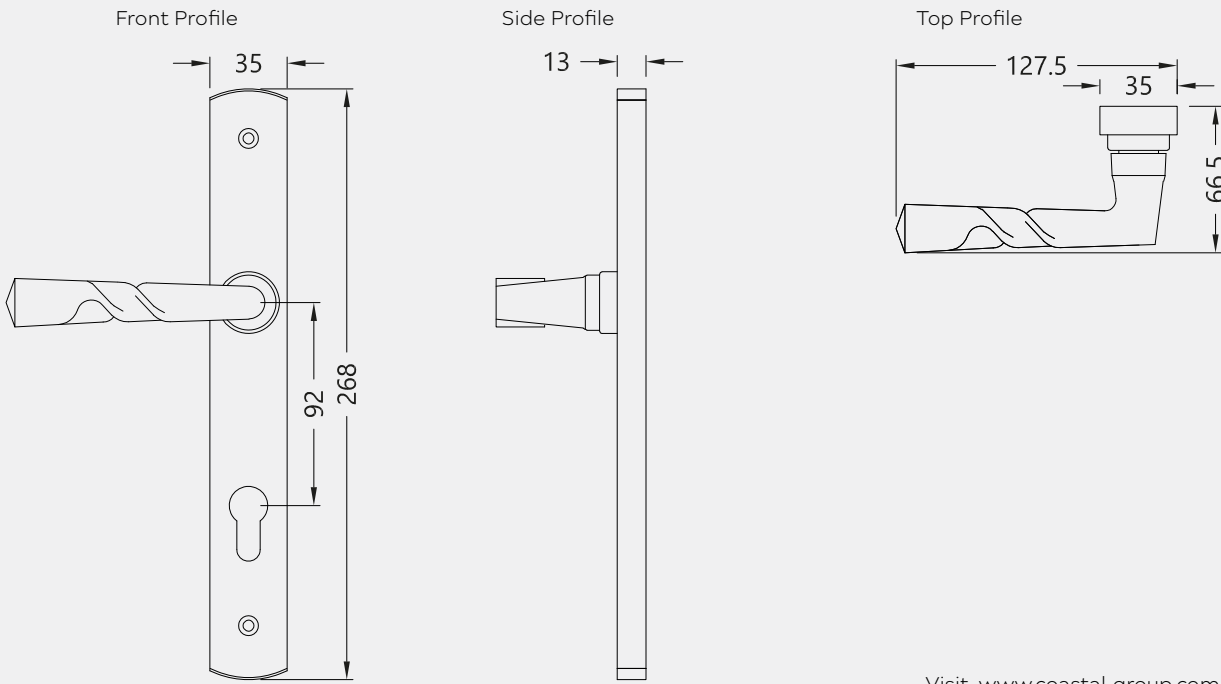
Stainless Steel Fixing



# COASTAL

*Shaping the future.*

BARLEY TWIST ANTIQUE MULTIPOINT DOOR LOCK HANDLE



Visit [www.coastal-group.com](http://www.coastal-group.com) for CAD drawings

FINISHES:



**TMB**  
Textured Matt Black

PART NUMBER	PRODUCT DESCRIPTION	FINISH	UNITS
CO7100C-TMB	Handle set for door thickness 44-55mm	<b>TMB</b>	Pair



**COASTAL**

*Shaping the future.*