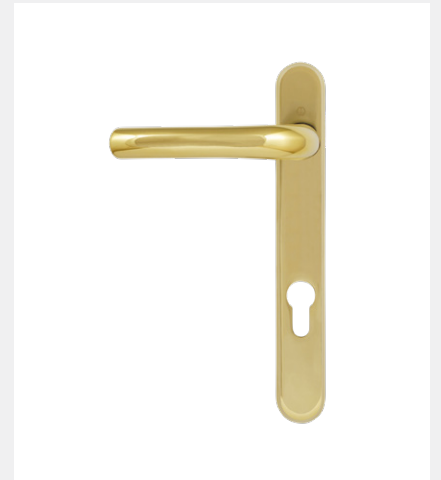


TOKYO MULTIPOINT DOOR LOCK HANDLE

Product Code: MHT92

LIT-DC-MHT92



Solid Brass Hardware Range

- Tokyo multipoint door handle
- Suitable for door thickness up to 72mm
- Unsprung handle
- Manufactured from solid brass
- Not for use in harsh environments



COASTAL

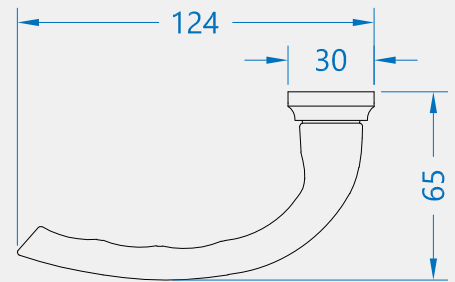
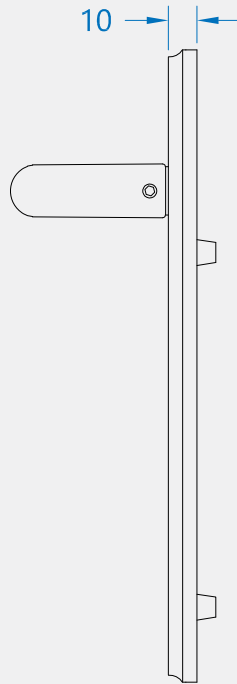
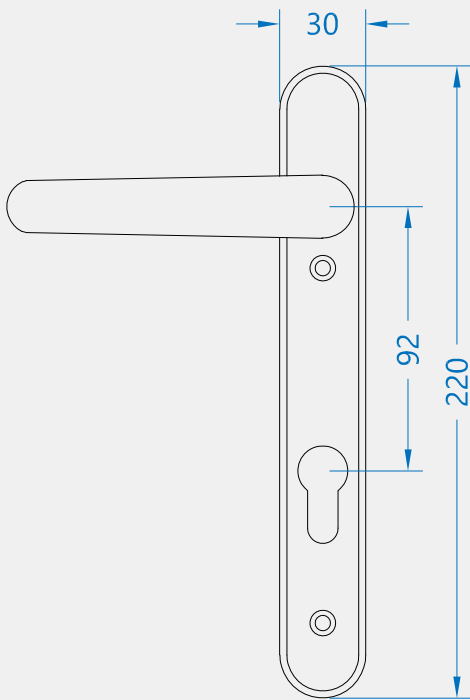
Shaping the future.

TOKYO MULTIPOINT DOOR LOCK HANDLE

Front Profile

Side Profile

Top Profile



Visit www.coastal-group.com for CAD drawings

FINISHES:



PC
Polished Chrome



BP
Polished Brass

PART NUMBER	PRODUCT DESCRIPTION	FINISH	UNITS
MHT92-PC	Tokyo door handle	PC	Pair
MHT92-BP	Tokyo door handle	BP	Pair



COASTAL

Shaping the future.