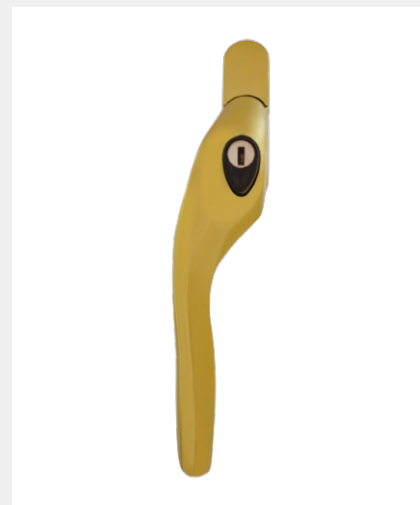


KUHLEN RANGE

LOCKING WINDOW ESPAGNOLETTE HANDLE

Product Code: EH20L

LIT-DC-EH20L



- Stylish & ergonomically designed for comfort
- Cranked to suit left & right handed windows
- Smooth operation locking mechanism
- Key lockable with push button to unlatch
- Positive stop ensures accurate inline closure



COASTAL

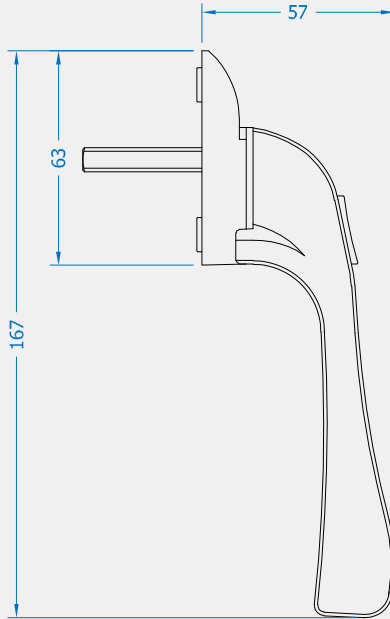
Shaping the future.

KUHLEN WINDOW ESPAGNOLETTE HANDLE

Front Profile



Side Profile



Visit www.coastal-group.com for CAD drawings

FINISHES:



SC
Satin Chrome



CP
Polished Chrome



PB
Polished Brass



BK
Black



WH
White

PART NUMBER	PRODUCT DESCRIPTION	FINISH	UNITS
EH20L-RH-SC	Locking window handle	SC	Each
EH20L-LH-SC	Locking window handle	SC	Each
EH20L-RH-CP	Locking window handle	CP	Each
EH20L-LH-CP	Locking window handle	CP	Each
EH20L-RH-PB	Locking window handle	PB	Each
EH20L-LH-PB	Locking window handle	PB	Each
EH20L-RH-BK	Locking window handle	BK	Each
EH20L-LH-BK	Locking window handle	BK	Each
EH20L-RH-WH	Locking window handle	WH	Each
EH20L-LH-WH	Locking window handle	WH	Each



COASTAL

Shaping the future.