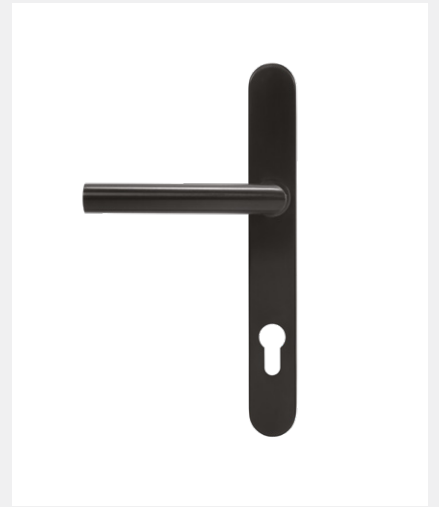


BLU RANGE

## MITRE LEVER DOOR HANDLE ON BACKPLATE - DUAL SPRUNG

Product Code: KM078B

LIT-DC-KM078B



### *316 Marine Grade Stainless Steel Hardware Range*

- High quality contemporary design multipoint door lock handle
- Positive dual sprung lever action
- Clip-on backplate covers screw fixings
- Manufactured from 316 Marine Grade Stainless Steel
- Ideal for use where corrosion levels are high such as coastal environments and with acidic timber
- Part of a suited range of hardware including matching window handle
- Durability: BS EN 1906:2012, Durability Grade 7, 300,000 Cycles
- Lifetime guarantee

T 01726 871 025 E [sales@coastal-group.com](mailto:sales@coastal-group.com) W [coastal-group.com](http://coastal-group.com)  
© Coastal Specialist Ironmongery Ltd 2021



# COASTAL

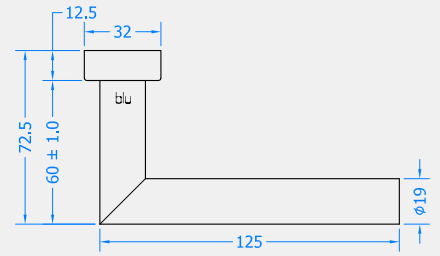
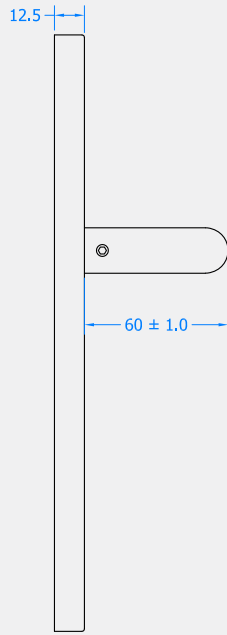
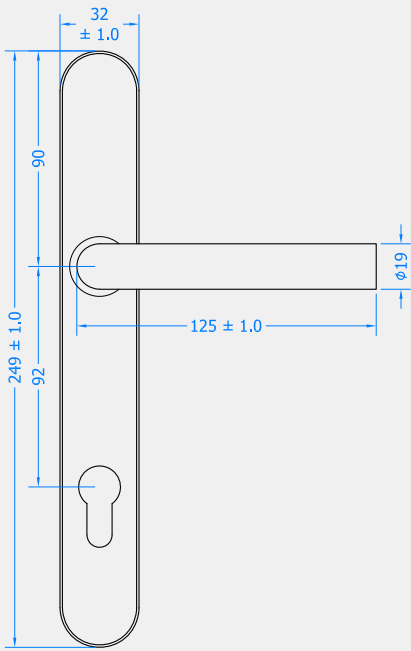
*Shaping the future.*

MITRE LEVER DOOR HANDLE ON BACKPLATE - DUAL SPRUNG

Front Profile

Side Profile

Top Profile



Visit [www.coastal-group.com](http://www.coastal-group.com) for CAD drawings

FINISHES:



**SSS**  
Satin Stainless Steel



**PSS**  
Polished Stainless Steel



**PBK**  
PVD Stainless Black

PART NUMBER	PRODUCT DESCRIPTION	FINISH	UNITS
KM078B-SSS	Mitre lever door handle on backplate - dual sprung	<b>SSS</b>	Pair
KM078B-PSS	Mitre lever door handle on backplate - dual sprung	<b>PSS</b>	Pair
KM078B-PBK	Mitre lever door handle on backplate - dual sprung	<b>PBK</b>	Pair



**COASTAL**

*Shaping the future.*