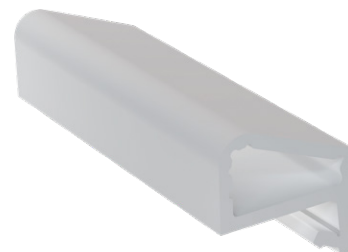
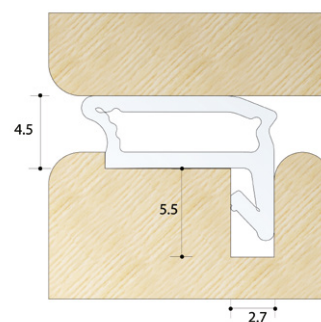
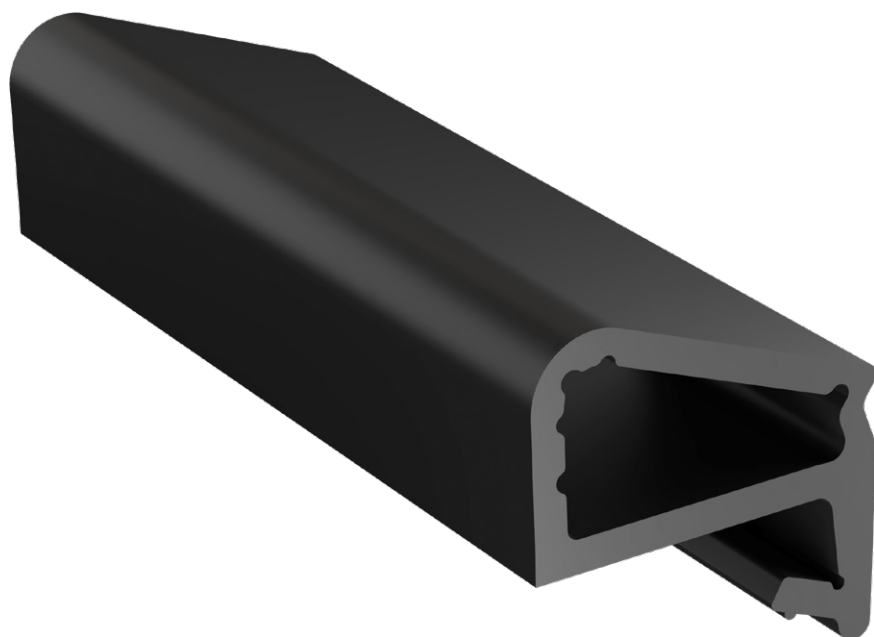


# DEVENTER RANGE WIPING COMPRESSION WEATHERSEAL

Product Code: SPV6009

LIT-DC-SPV6009



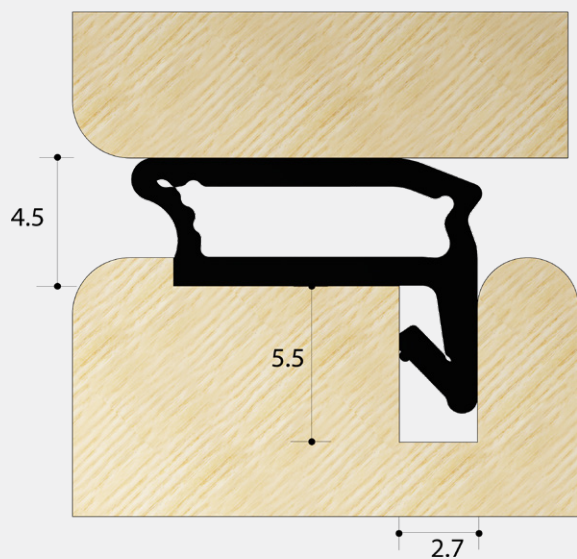
- The SPV6009 is an excellent wiping or compression seal from Deventer used in many door and casement window applications and as a secondary seal on stormproof or high performance flush windows.
- The rigid back makes it quick and easy to install and prevents the seal from stretching.
- Made from a high quality TPE closed-cell microfoam which is resistant to water absorption.
- Hollow chamber provides superior protection from wind, water and noise, enhancing the acoustic and thermal properties of your door or window.
- Compatible with resin and acrylic paint.
- UV, Ozone and Smoke resistant.
- Excellent working temperature range of -40 C to +120 C.



## COASTAL

*Shaping the future.*

# WIPING COMPRESSION WEATHERSEAL



Visit [www.coastal-group.com](http://www.coastal-group.com) for CAD drawings

## FINISHES:



**BK**  
Black



**WH**  
White

PART NUMBER	PRODUCT DESCRIPTION	FINISH	UNITS
SPV6009-BK	6 x 3mm groove	<b>BK</b>	250mm Coil
SPV6009-WH	6 x 3mm groove	<b>WH</b>	250mm Coil



# COASTAL

*Shaping the future.*