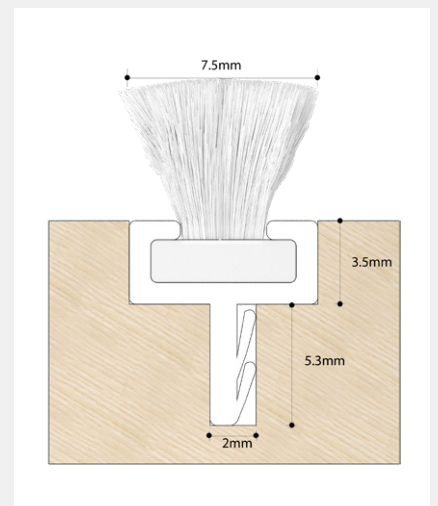


SLIDE PILE CENTRE LEG

Product Code: SPC-CL

LIT-DC-SPC-CL

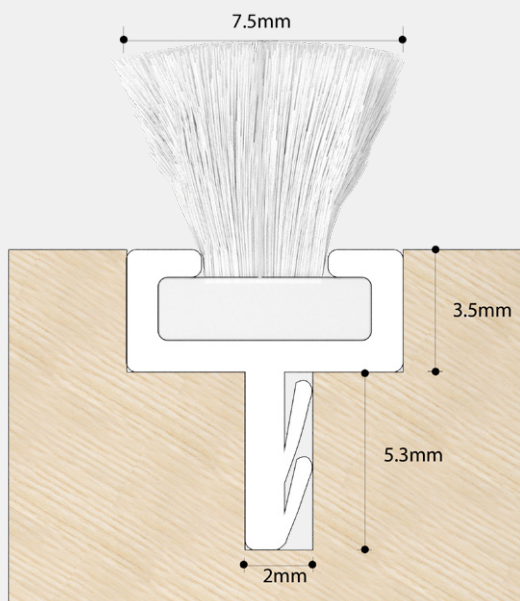


- The SPC-CL slide pile perimeter strip comes with a 6.5mm brush and centre leg or fin
- The carrier is manufactured from a rigid PVC with flexible retention feet on a centre positioned leg
- Used on the stiles and meeting rails of sliding sashes



COASTAL

Shaping the future.



Visit www.coastal-group.com for CAD drawings

FINISHES:



BR
Brown



WH
White

PART NUMBER	PRODUCT DESCRIPTION	FINISH	UNITS
SPC-CL-BR	6.5mm Off-set leg, 2200mm length	BR	Each
SPC-CL-WH	6.5mm Off-set leg, 2200mm length	WH	Each



COASTAL

Shaping the future.