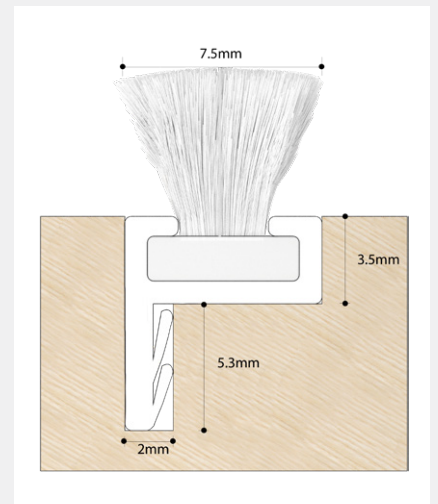


# SLIDE PILE OFFSET LEG

Product Code: SPC-OL

LIT-DC-SPC-OL

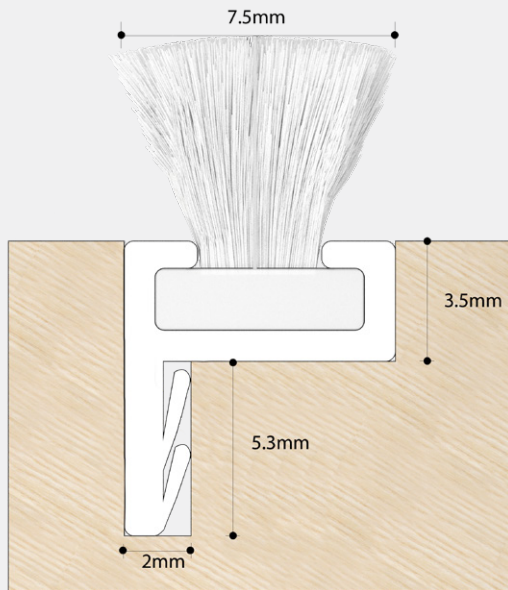


- The SPC-OL slide pile perimeter strip comes with a 6.5mm brush and offset leg or fin
- The carrier is manufactured from a rigid PVC with flexible retention feet on an offset positioned leg
- Used on the stiles and meeting rails of sliding sashes



**COASTAL**

*Shaping the future.*



Visit [www.coastal-group.com](http://www.coastal-group.com) for CAD drawings

FINISHES:



**BR**  
Brown



**WH**  
White

PART NUMBER	PRODUCT DESCRIPTION	FINISH	UNITS
SPC-OL-BR	6.5mm Off-set leg, 2200mm length	<b>BR</b>	Each
SPC-OL-WH	6.5mm Off-set leg, 2200mm length	<b>WH</b>	Each



**COASTAL**

*Shaping the future.*