

BLU RANGE OFFSET ROUND 'T' BAR PULL HANDLE

Product Code: HAB6

LIT-DC-HAB6



316 Marine Grade Stainless Steel Hardware Range

- Finest quality offset round 'T' bar pull handle
- Heavy duty 1.5mm stainless steel wall thickness for a superior feel & increased tensile strength
- Handle ends are CNC machined for a precision engineered consistent finish
- Part of a suited range of door & window hardware
- Designed with no middle stem to avoid conflicting with locking mechanism
- Manufactured from 316 Marine Grade Stainless Steel
- Ideal for use where corrosion levels are high, such as coastal environments and in acidic timber
- Lifetime guarantee

T 01726 871 025 E sales@coastal-group.com W coastal-group.com



Brass bush fixing ferrules to prevent handles from coming loose

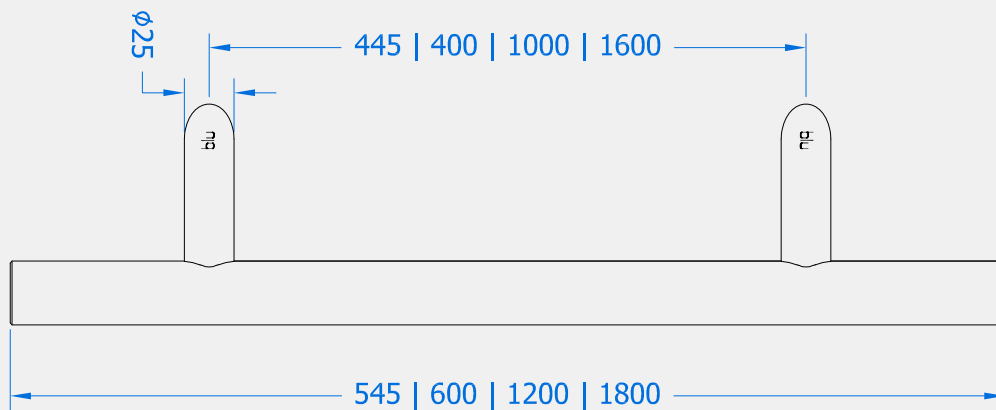


COASTAL

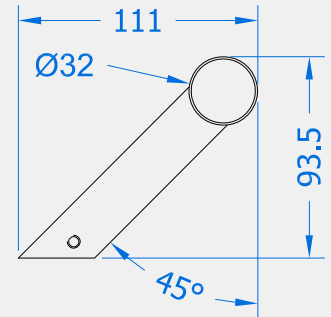
Shaping the future.

OFFSET ROUND 'T' BAR PULL HANDLE

Side Profile



Top Profile



Visit www.coastal-group.com for CAD drawings

FINISHES:



SSS
Satin Stainless Steel



MBL
Black

PART NUMBER	PRODUCT DESCRIPTION	FINISH	UNITS
HAB6-400-UF-SSS	400mm, Offset round, universal fixing	SSS	Each
HAB6-400-UF-MBL	400mm, Offset round, universal fixing	MBL	Each
HAB6-545-UF-SSS	545mm Offset round, universal fixing	SSS	Each
HAB6-600-UF-SSS	600mm Offset round, universal fixing	SSS	Each
HAB6-600-US-MBL	600mm Offset round, universal fixing	MBL	Each
HAB6-900-UF-SSS	900mm Offset round, universal fixing	SSS	Each
HAB6-900-UF-MBL	900mm Offset round, universal fixing	MBL	Each
HAB6-1200-UF-SSS	1200mm Offset round, universal fixing	SSS	Each
HAB6-1200-UF-MBL	1200mm Offset round, universal fixing	MBL	Each
HAB6-1500-UF-SSS	1500mm, Offset round, universal fixing	SSS	Each
HAB6-1500-UF-MBL	1500mm, Offset round, universal fixing	MBL	Each
HAB6-1800-UF-SSS	1800mm, Offset round, universal fixing	SSS	Each
HAB6-1800-UF MBL	1800mm, Offset round, universal fixing	MBL	Each



COASTAL

Shaping the future.