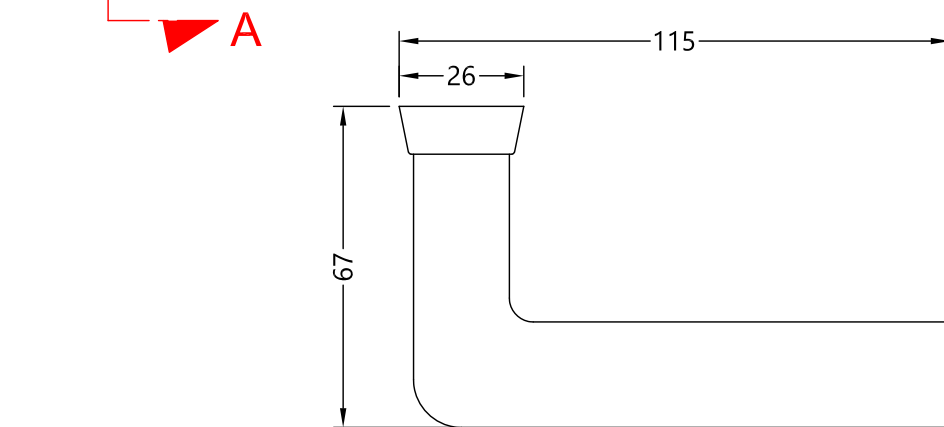
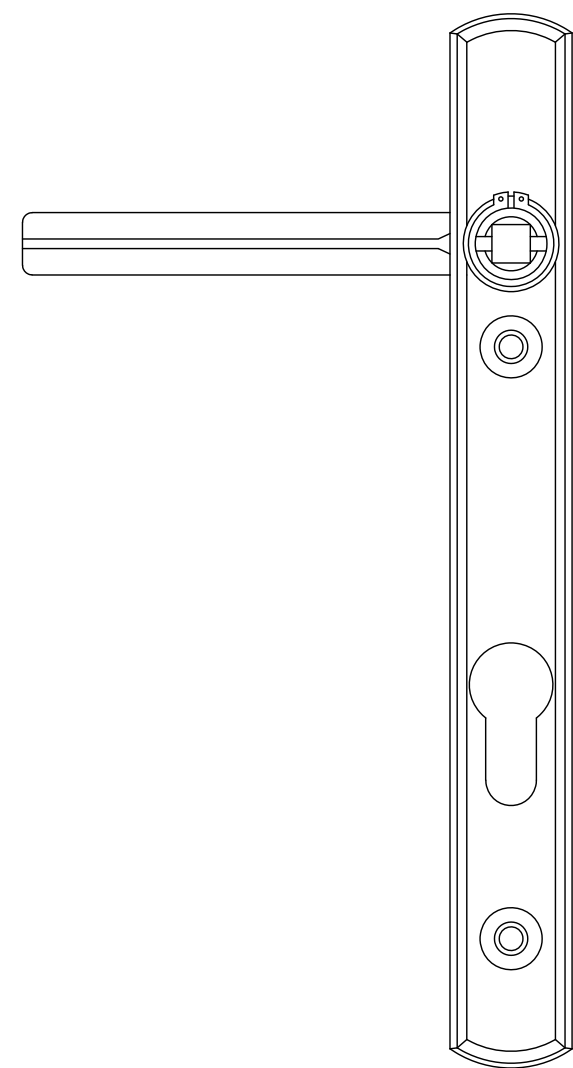
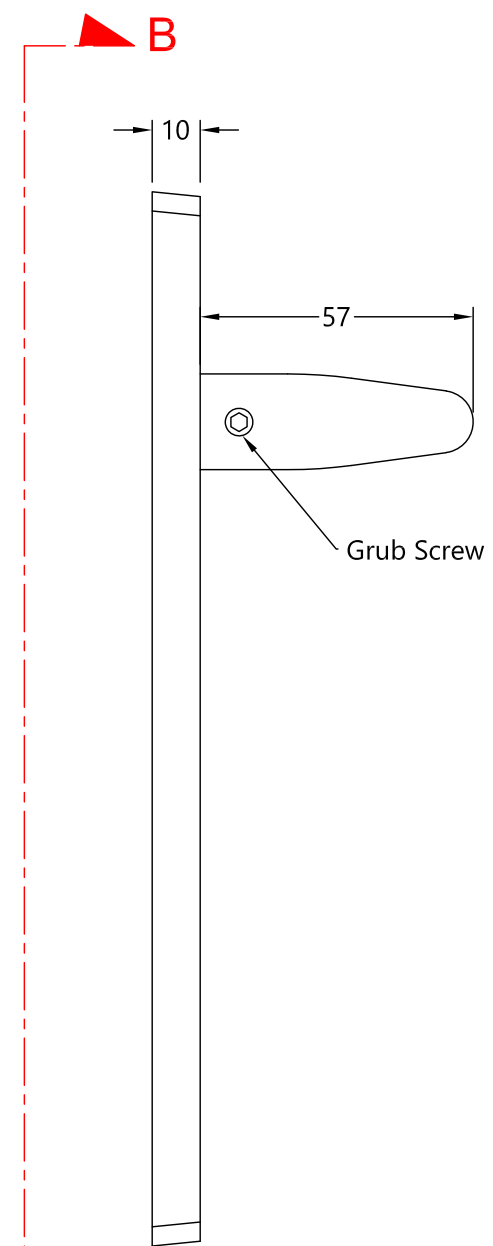
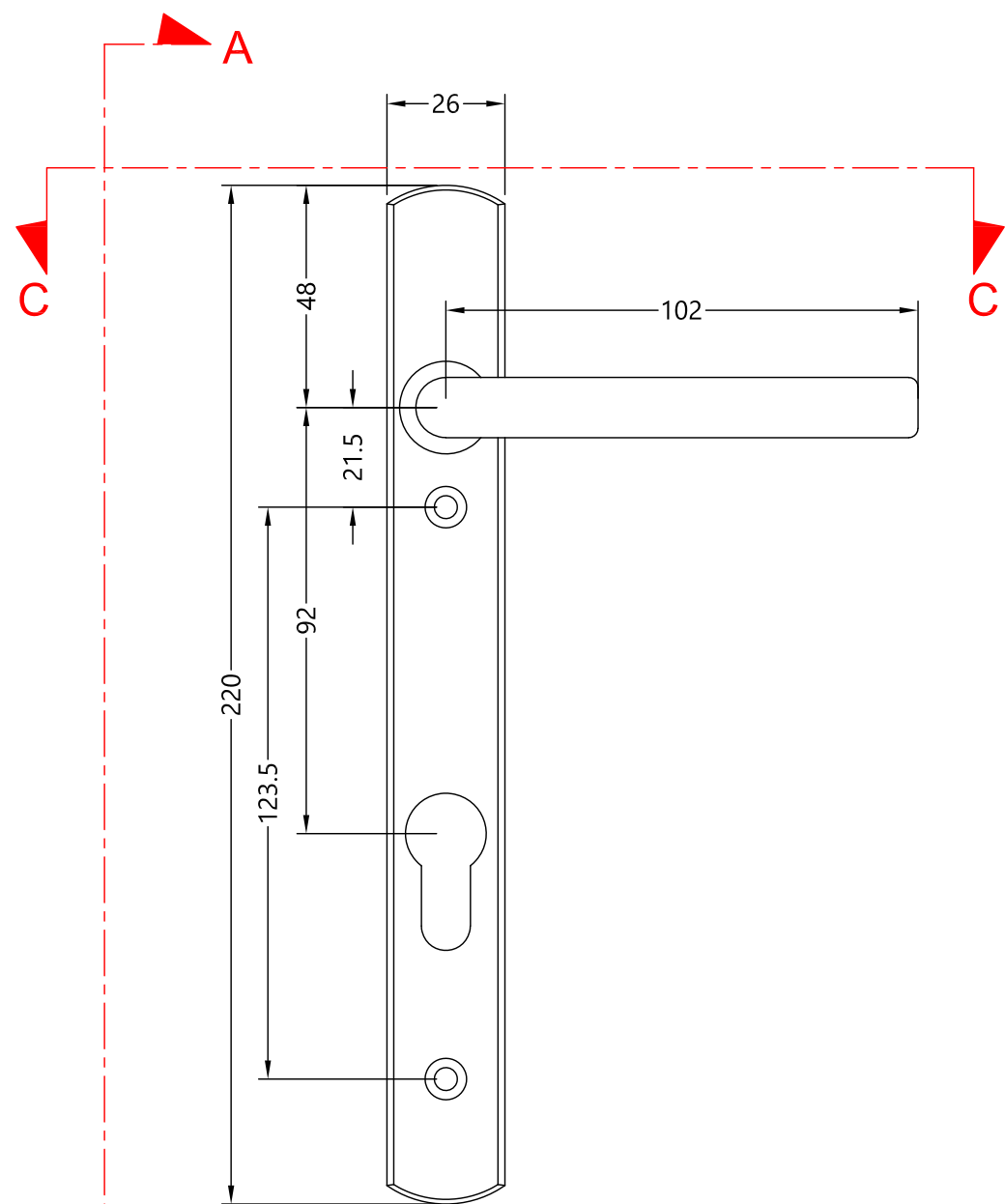


While every attempt has been made to ensure the accuracy and completeness of the information in this document some typographical or technical errors may exist. Coastal Group cannot accept responsibility for customers' losses resulting from the use of this document. Please also note that this drawing / design is subject to change without prior notice in accordance with our policy of continual product development. This drawing / design contains proprietary information that is protected by copyright and is property of Coastal Group. Coastal Group is at the leading edge in joinery hardware, customer care and quality are at the core of everything we do, you can be confident that a call to Coastal will be the only call you need for all your joinery hardware needs.

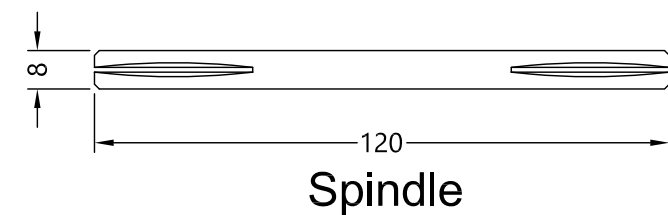
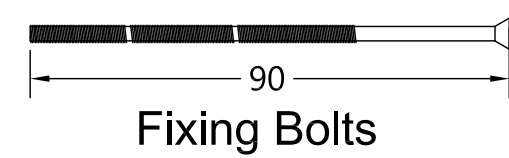
Revision History				
Revision	Description	Drawn By	Date	Approved By
A	Released	PW	29/3/16	BD



Section A-A

Section B-B

Section C-C



Global House
Bojea Industrial Estate
Trehowel, St Austell
Cornwall, PL25 5RJ
COASTAL GROUP
t | 01726 871025 f | 01726 871731
e | sales@coastal-group.com
w | www.coastal-group.com

Customer Reference:	
Coastal Group	
Drawing Title: SZS01NP92	
Multipoint Handle Set	
Product Range / Project Reference Uno Design 92mm Handle Set	
Other Information: Suits up to 80mm thick doors	
Date Drawn:	29/03/2016
Drawn By:	Phil Walklett
Drawing Number:	CG-SZS01NP92.dwg
Revision:	A
THIRD ANGLE PROJECTION	This drawing and specification are the property of Coastal Group, they are issued in strict confidence and shall not be reproduced, copied or used without written permission.
Scale: NONE	Sheet: 1 of 1