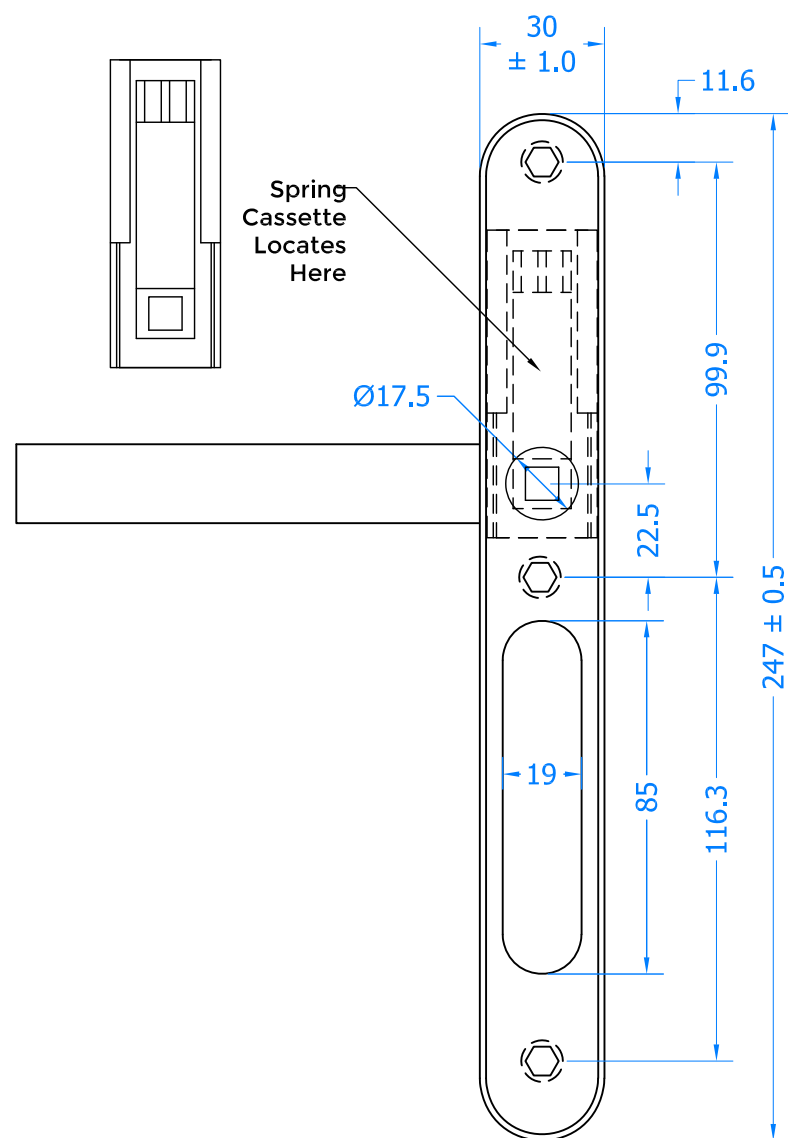
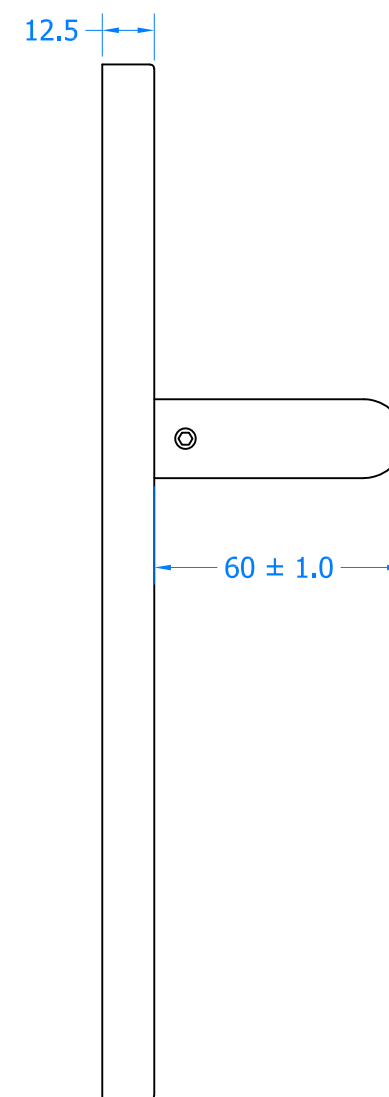
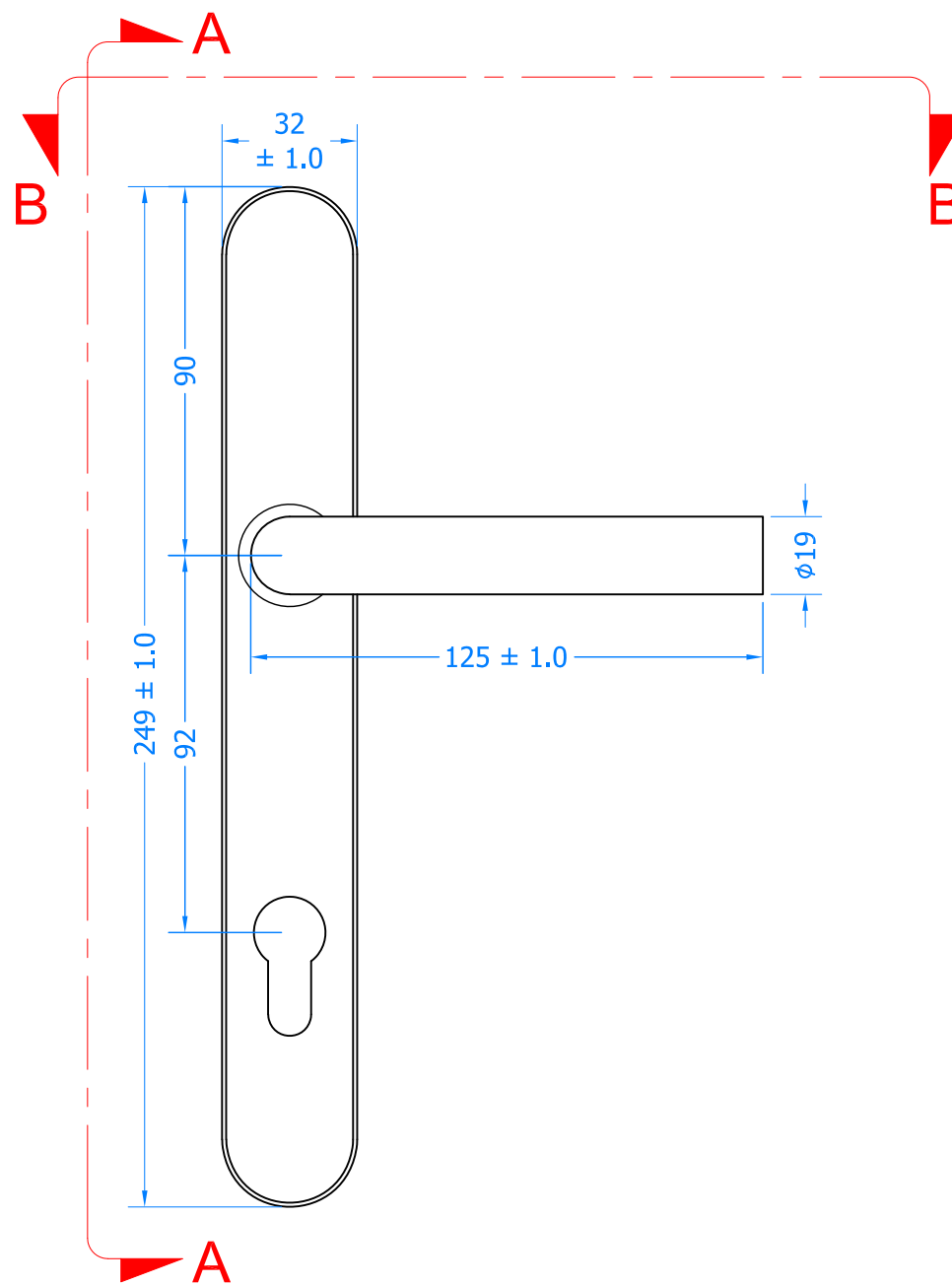


REVISION HISTORY		
Revision	Description	Date
A	Release	10/01/20

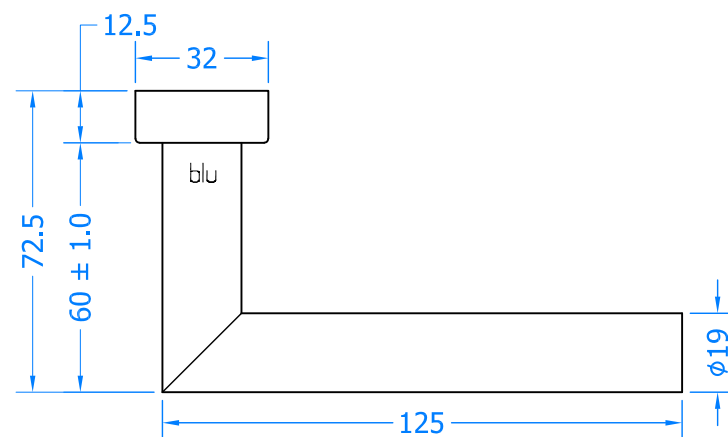
Rear View without Clip on Face Plate Fitted.



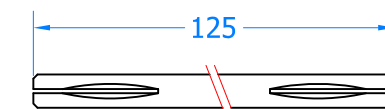
Front View with Clip on Face Plate Fitted.



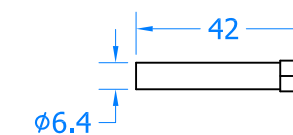
Section A-A



Section B-B



8x8x125 Spindle



Bolt Receiver Sleeve



M5 x 40mm Bolts  
Suits Doors up to 60mm Thick



M5 x 60mm Bolts  
Suits Doors up to 80mm Thick



3mm Allen Key



coastal-group.com  
Shaping the future

**COASTAL**

Part Number / Drawing Title:  
**KM078B**  
**Multipoint Mitred Handle Set**

Product Range:  
**Door Handles**

Material: **316 Stainless Steel**  
Additional Info: **Dual Sprung Lever (Cassettes)**

Date Drawn: 10/01/2020

Drawn By: **Philip Walklett**

Part Number: **KM078B-316**

File Name: **KM078B-316.dwg**

Revision: **A**

Drawing Scale: **Not to Scale**

Sheet Number: **1 of 1**

THIRD ANGLE PROJECTION  
This drawing and specification are the property of Coastal Specialist Ironmongery Ltd. they are issued in strict confidence and shall not be reproduced, copied or used without written permission.

WHAT'S INCLUDED IN THE BOX	
QTY	DESCRIPTION
2	UNIVERSAL DOOR HANDLES
3	M5 BOLT RECEIVER SLEEVES
3	M5x60mm FIXING BOLTS
3	M5x40mm FIXING BOLTS
1	8 x 8 x 125mm SPINDLE

