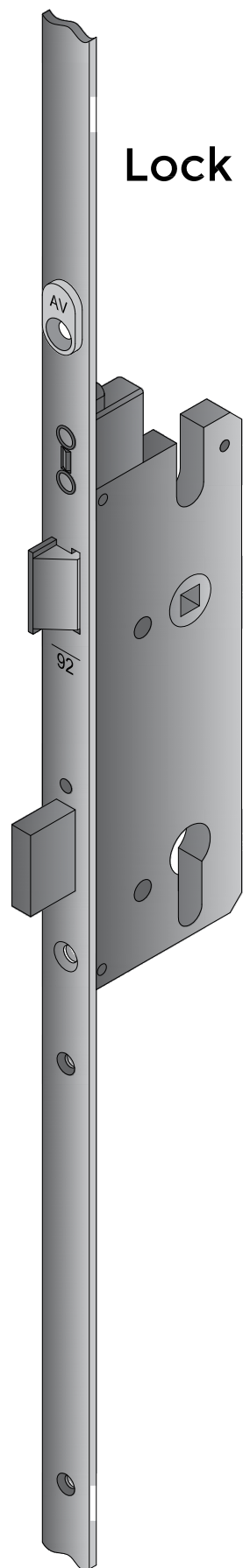
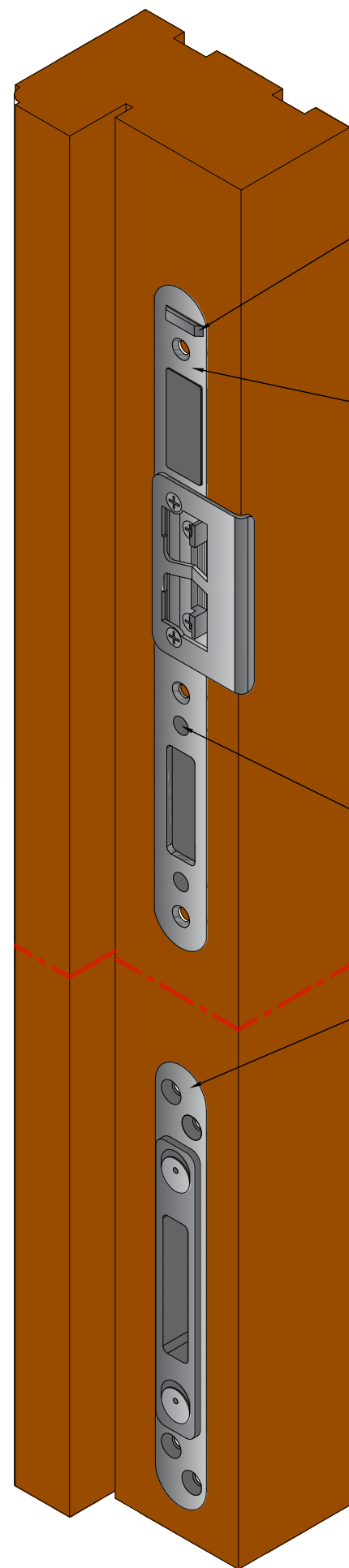


REVISION HISTORY		
Revision	Description	Date
A	Release	8/5/2018
B	Updated top & bottom keeps to MK37	8/9/2020
C	Altered keeps so face sits flush to jamb	19/11/2020



Lock

Keep



This TAB should be 3mm proud of the jamb once installed in the door.

This face should sit flush with the face of the jamb.

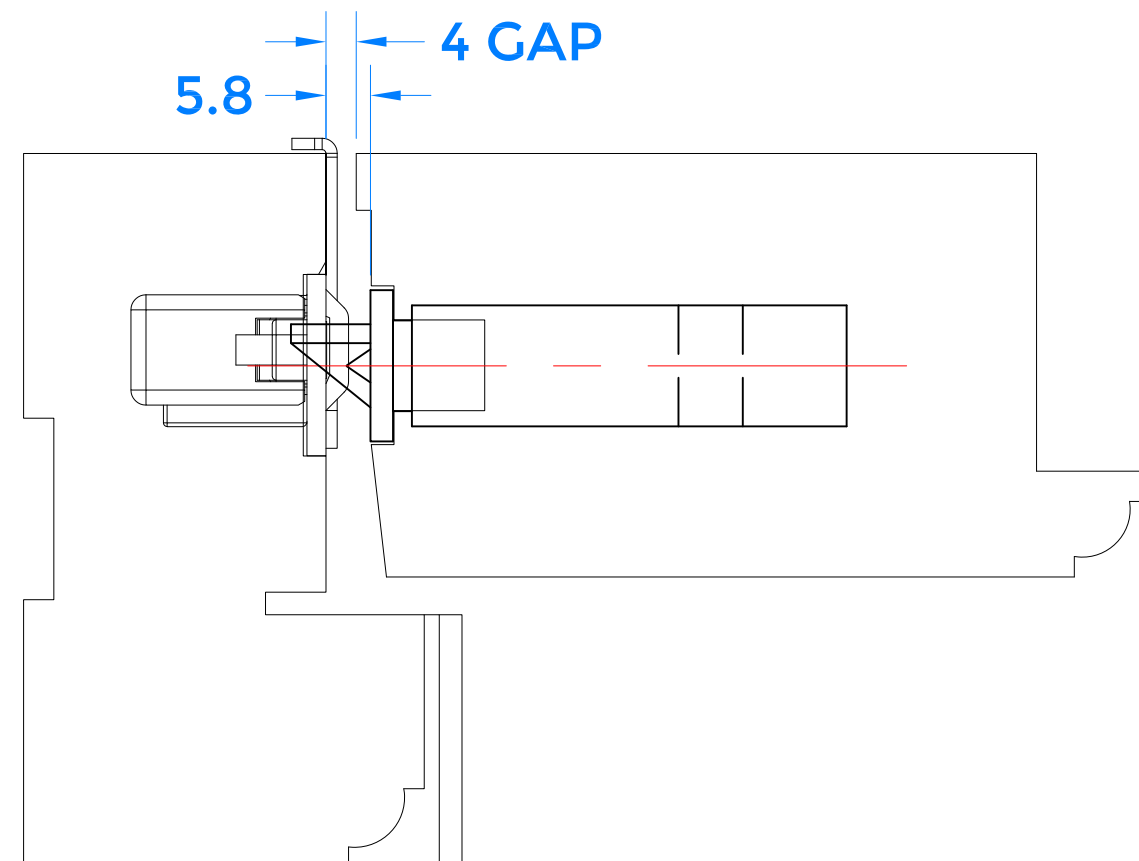
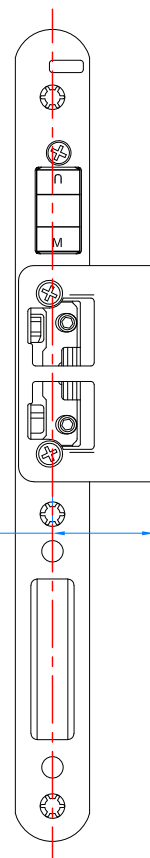
Centre Keep

Keep Centre Line Either 28 or 33mm

MK39 / MK48 Centre Keep

Please note, the top and bottom keeps (MK37) are to be set flush with the surface of the jamb.

Top/Bottom Keep



Section (Ref Only)

Scale 1:1 @ A3



Part Number / Drawing Title:
MK39 & MK48
Keep Fitting Guide

Product Range:
Multipoint Door Lock Keeps

Material: **Silver Passivated**

Additional Info: **Keep Face Sits Flush With Jamb**

Date Drawn: 19/11/2020

Drawn By: **Philip Walklett**

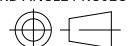
Part Number: **MK39 & MK48**

File Name: **MK48_MK39-FittingGuide.dwg**

Revision: **C**

Drawing Scale: **Not to Scale**

Sheet Number: **1 of 1**

THIRD ANGLE PROJECTION  This drawing and specification are the property of Coastal Specialist Ironmongery Ltd. they are issued in strict confidence and shall not be reproduced, copied or used without written permission.