

EXCALIBUR

- ❖ Multi-point Locking
- ❖ Patented Gearbox
- ❖ Guaranteed Security

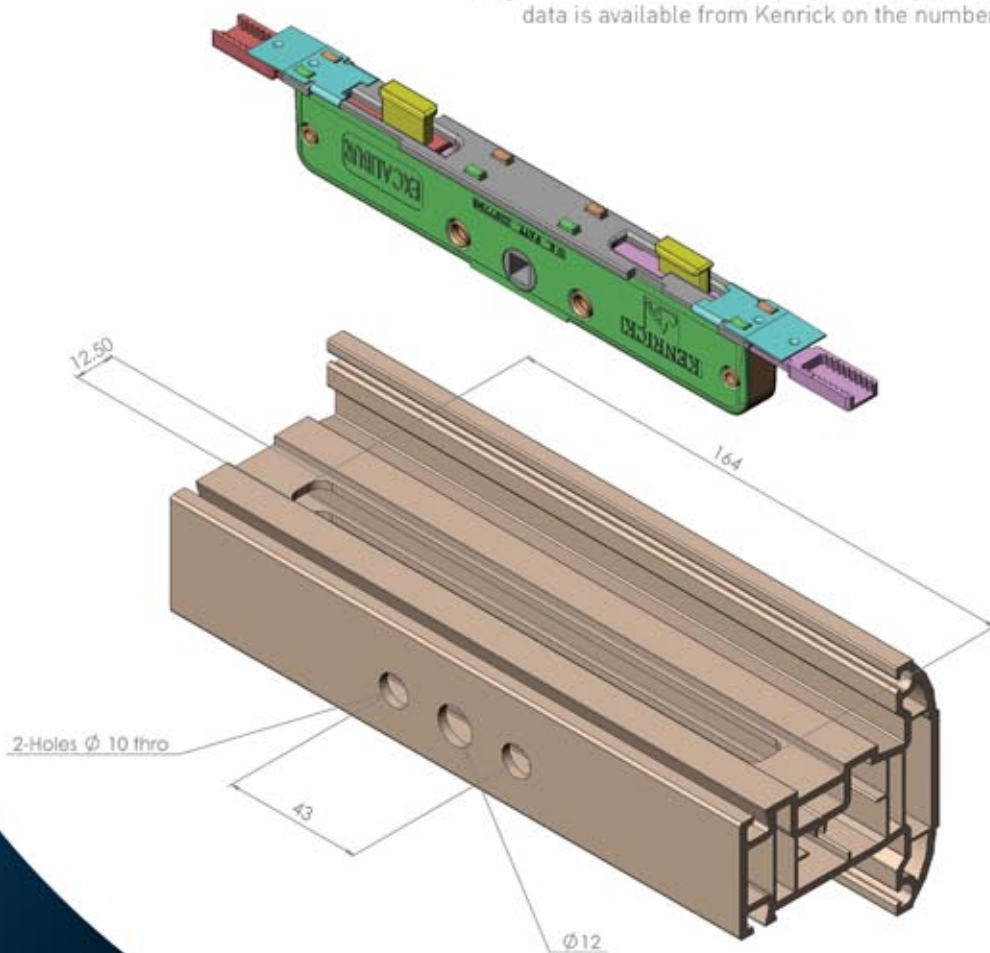


Excalibur is a market-leading product that consistently enables window fabricators to sell effective solutions to their customers, be they trade or domestic. Excalibur offers first-rate security features with longevity and reliability, no other window locking system can match Excalibur for value. Excalibur is a multi-point locking system that ensures each window is sealed against the weather and unwanted visitors, supported by an insurance-backed guarantee scheme and householder focussed promotional materials.

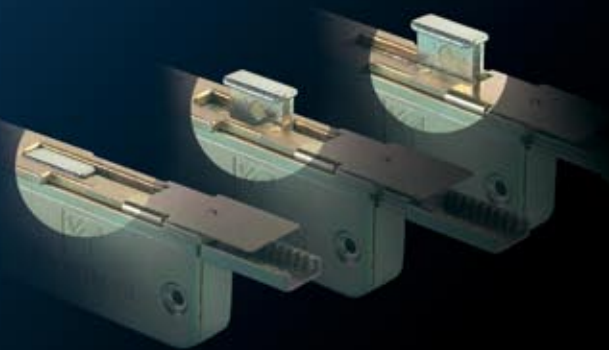
- ❖ Simple to Install
- ❖ BS7950 Capable
- ❖ Robust unhandled Die-Cast Gearbox
- ❖ Profile Related Keeps with night vent facility
- ❖ Fits all Eurogroove systems
- ❖ Bi-Directional Die-Cast Claws



Diagrams are for illustration purposes only, full technical data is available from Kenrick on the number below.



The patented Kenrick claw locking mechanism provides secure engagement with a substantial die-cast keep. This reliable system is now fitted to millions of windows throughout the UK.



Locking Bars Sash Rebate (mm)

240-370
300-440
430-700
690-950
950-1210
1210-1470

Kenrick's policy is one of continuous improvement. The right is therefore reserved to amend specifications at any time without notice, and specification details are given as a guide only.