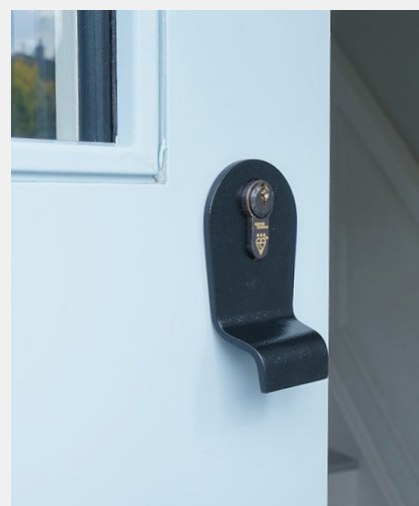


# BLU/DURATIQUE RANGE CLASSIC CYLINDER PULL

Product Code: CP30

LIT-DC-CP30



## *316 Marine Grade Stainless Steel Hardware Range*

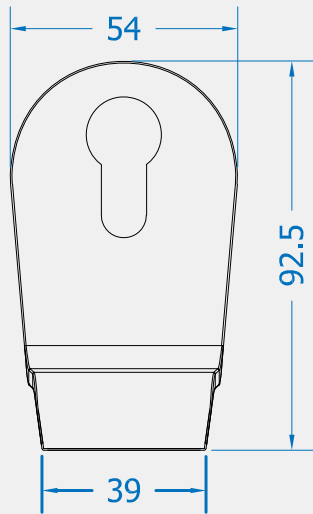
- Stunning traditional style back to back euro cylinder pull
- Bolt-through fixings from the inside to prevent removal from the outside
- Extremely high quality and long lasting performance
- To suit door thickness up to 60mm
- Ideal for use where corrosion levels are high, such as coastal environments and in acidic timber
- Manufactured from 316 Marine Grade Stainless Steel
- Lifetime guarantee (For TMB see below)
- 25 year guarantee for Duratique finish TMB



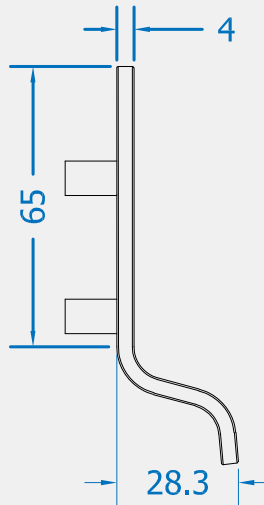
# COASTAL

*Shaping the future.*

Front Profile



Side Profile



Visit [www.coastal-group.com](http://www.coastal-group.com) for CAD drawings

**BLU  
 FINISHES:**



**SSS**  
 Satin Stainless Steel



**PSS**  
 Polished Stainless Steel



**PSB**  
 PVD Satin Brass



**PPB**  
 PVD Polished Brass



**PBK**  
 PVD Satin Black

**DURATIQUÉ  
 FINISHES:**



**TMB**  
 Textured Matt Black

PART NUMBER	PRODUCT DESCRIPTION	FINISH	UNITS
CP30-SSS	Back to back euro cylinder pull	<b>SSS</b>	Set
CP30-PSS	Back to back euro cylinder pull	<b>PSS</b>	Set
CP30-PSB	Back to back euro cylinder pull	<b>PSB</b>	Set
CP30-PPB	Back to back euro cylinder pull	<b>PPB</b>	Set
CP30-PBK	Back to back euro cylinder pull	<b>PBK</b>	Set
CP30-TMB	Back to back euro cylinder pull	<b>TMB</b>	Set



**COASTAL**

*Shaping the future.*