

BLU RANGE

OFFSET RECTANGULAR 'T' BAR PULL HANDLE

Product Code: HAB7

LIT-DC-HAB7



316 Marine Grade Stainless Steel Hardware Range

- Finest quality offset rectangular 'T' bar pull handle
- Perfect for when handle needs to be offset from fixing point
- Heavy duty 1.5mm stainless steel wall thickness for a superior feel & increased tensile strength
- Extra finishing process provides a 'super satin' finish
- Part of a suited range of door & window hardware
- Designed with no middle stem to avoid conflicting with locking mechanism
- Manufactured from 316 Marine Grade Stainless Steel
- Ideal for use where corrosion levels are high, such as coastal environments and in acidic timber
- Lifetime guarantee

T 01726 871 025 E sales@coastal-group.com W coastal-group.com



Brass bush fixing ferrules to prevent handles from coming loose

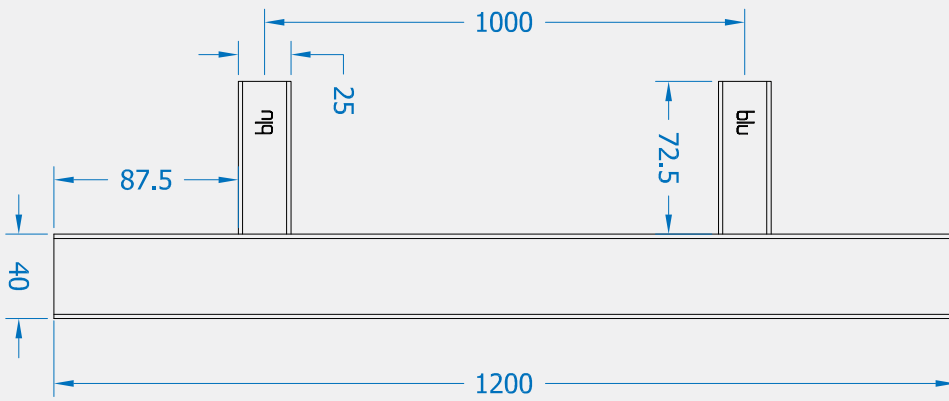


COASTAL

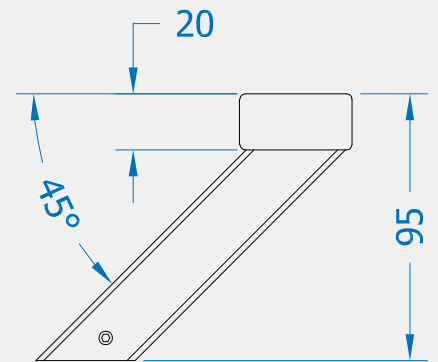
Shaping the future.

OFFSET RECTANGULAR 'T' BAR PULL HANDLE

Side Profile



Top Profile



Visit www.coastal-group.com for CAD drawings

FINISHES:



SSS

Satin Stainless Steel

PART NUMBER	PRODUCT DESCRIPTION	FINISH	UNITS
HAB7-1200-UF-SSS	1200mm Offset rectangular, universal fixing	SSS	Each



COASTAL

Shaping the future.